

# DATA SHEET

Premium Efficiency Motor: **ODP15-18-200-254T,**

**60 Hz**

WorldWide Electric Corporation

1 (800) 808-2131

Worldwideelectric.net



Document Generated: 12-Dec-2023  
Document ID:

Customer:

MOTOR INFORMATION	
HP	15
RPM	1800
Phase	3
Frequency	60
Voltage	200
Frame Size	254/6T
Enclosure	ODP
Degree of Protection	IP23
Service Factor	1.15
Poles	4
Full Load Speed	1774
Insulation Class	F
Temp Rise	80°C
NEMA Code Letter	G
Duty Cycle	S1 / Continuous
Slip	1.44%
NEMA Design	B
Moment of Inertia	2.043 lb.ft.^2
Locked Rotor Time (Hot)	12 seconds
Sound Pressure Level	60 dB(A)
Number of Starts	2 Cold / 1 Hot
Max Ambient Temperature	40°C
Max Elevation	1000 m.a.s.l (3300 f.a.s.l)
Mounting	F1
Rotation	Bi-Directional
Area of Classification	Safe Area
Inverter Rating	10:1 CT / 20:1 VT
Standard	NEMA MG 1
Approvals	UL, CE

EFFICIENCY/POWER FACTOR		
LOAD	EFF	P. F.
100%	93.0 %	0.85
75%	93.8 %	0.82
50%	93.3 %	0.74

TORQUE		
FULL LOAD	LRT	BDT
43.6 lb.ft.	260 %	276 %

AMPERAGE INFORMATION	
	200V
Full Load Amps	40.02
Locked Rotor Amps	270.94A
No Load Current	13.11A

BEARING INFORMATION	
DE Bearing	6309Z
ODE Bearing	6307Z
Grease Type	Mobil Polyrex EM
DE Regreasing Interval	2400 Hours
ODE Regreasing Interval	3600 Hours
Grease Quantity	13g/8g

ADDITIONAL DATA	
F2 Suitable	Yes
Shaft Material	AISI 1045
Connection Diagram	6 Lead Delta
Approximate Weight	214.9 lbs.

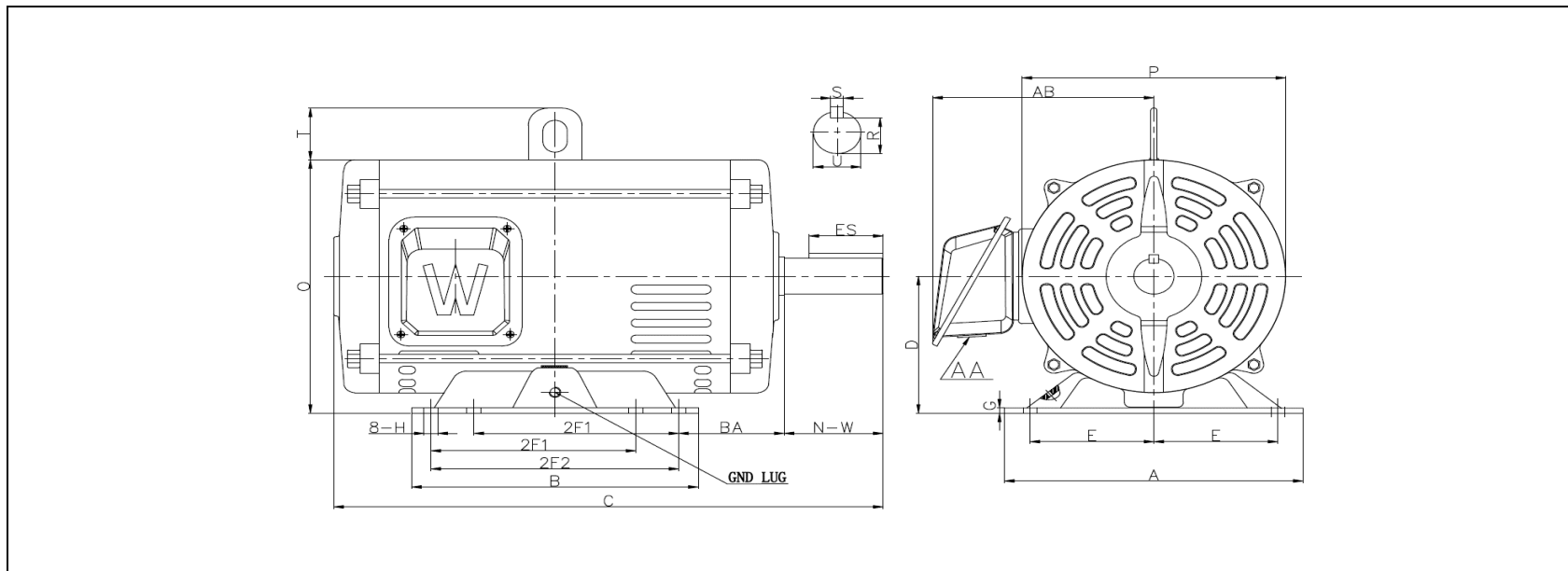
# MOTOR DRAWING

Premium Efficiency Motor: **ODP15-18-200-254T**

WorldWide Electric Corporation

1 (800) 808-2131

Worldwideelectric.net



## DIMENSION - INCHES

MOUNTING					A	B	C	D	G	P	O	T	AB
E	2F1	2F2	H	BA									
5	8.25	10	0.53	4.25	12.05	11.57	22.3	6.25	0.236	10.63	11.6	2.48	9.7

SHAFT & KEY				
S	ES	R	N-W	U
0.375	2.91	1.416	4	1.625

T-BOX	GND LUG
AA	
1.38	M6*P1.0

# PERFORMANCE CURVES

Premium Efficiency Motor:

**ODP15-18-200-254T**

WorldWide Electric Corporation

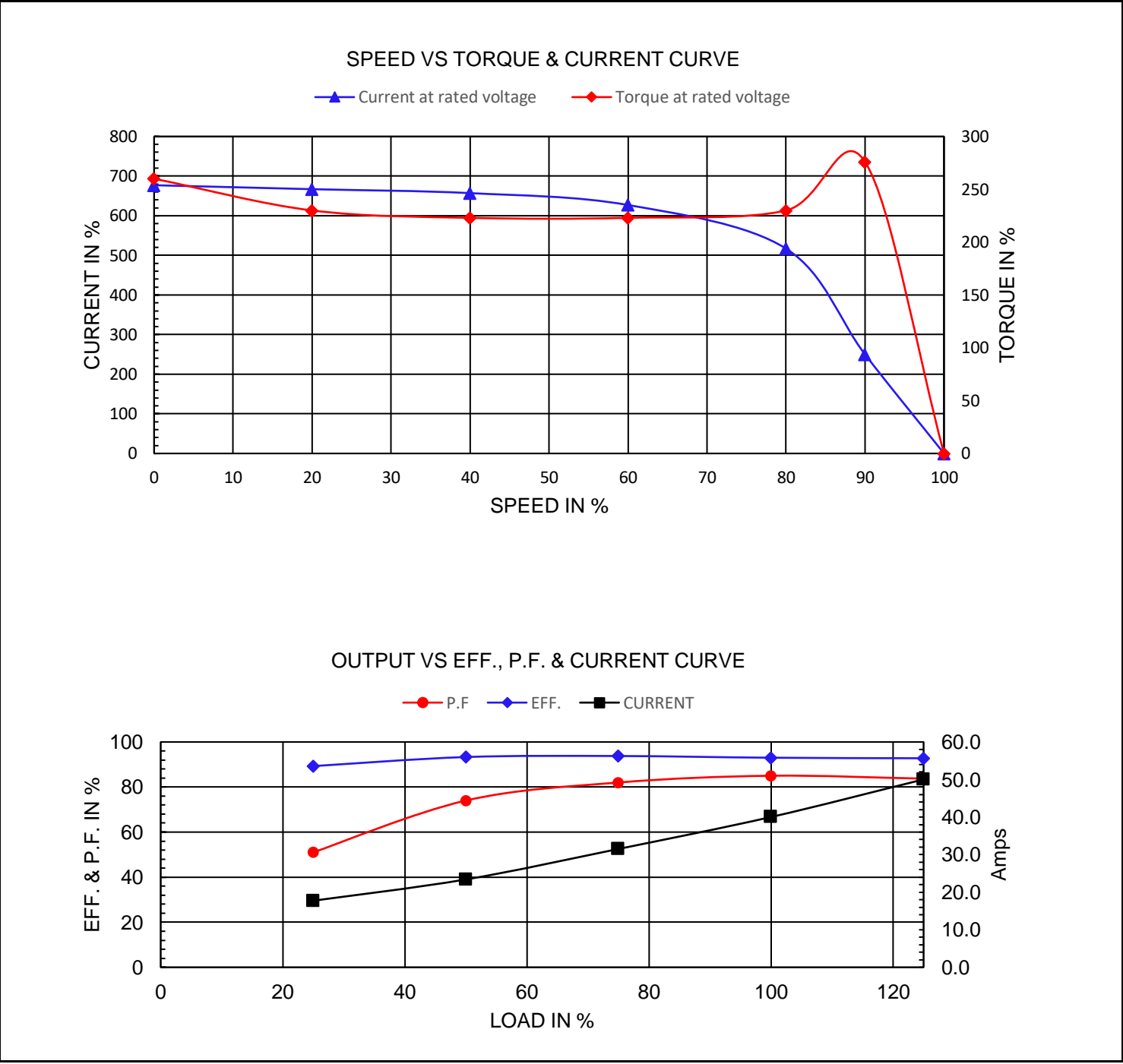
1 (800) 808-2131

Worldwideelectric.net



Document Generated: 12-Dec-2023	Customer:
Document ID:	

Motor Type	PEWWE				
Output Rating (HP)	15	FL Speed	1774		
Full Load Torque	43.6 lb.ft	LRT (%FLT)	260	200 volt FLA	40.02
Rotor Wk <sup>2</sup>	2.043 lb-ft <sup>2</sup>	BDT (%FLT)	276		



# NAMEPLATE / WIRING

WorldWide Electric Corporation

1 (800) 808-2131

Worldwideelectric.net



Premium Efficiency Motor: **ODP15-18-200-254T**

Document Generated: 12-Dec-2023  
Document ID:

Customer:

## SAMPLE NAMEPLATE DATA

		<b>OPEN DRIP PROOF 3 PHASE MOTOR</b>									
		CC306B									
Model :			Encl :		SN :						
HP :	Poles :	FR :	Ins : F	IP 23	Max Amb 40°C	Duty:Cont					
Hz :				CODE:		Design :					
Volts :				P.F. :		DE BRG :					
Amps :				Eff :		ODE BRG :					
RPM :				S.F. :		WT :					
						Date :					
<b>WorldWide Electric Corporation</b>											

<b>Model</b>	ODP15-18-200-254T	<b>Encl</b>	ODP			
<b>HP:</b>	15	<b>Poles:</b>	4	<b>FR:</b>	254/6T	<b>Ins:</b> F
<b>Hz:</b>	60	<b>Code:</b>	G	<b>Design</b>	B	
<b>Volts:</b>	200	<b>P.F.:</b>	0.85	<b>DE BRG:</b>	6309Z	
<b>Amps</b>	40.02	<b>Eff:</b>	93.0%	<b>ODE BRG:</b>	6307Z	
<b>RPM</b>	1774	<b>S.F. :</b>	1.15	<b>WT:</b>	214.9 lbs.	