

# DATA SHEET

Premium Efficiency Motor: **ODP15-18-254T,**

**60 Hz**

WorldWide Electric Corporation

1 (800) 808-2131

Worldwideelectric.net



Document Generated: 8-Dec-2023  
Document ID:

Customer:

MOTOR INFORMATION	
HP	15
RPM	1800
Phase	3
Frequency	60
Voltage	230/460
Frame Size	254/6T
Enclosure	ODP
Degree of Protection	IP23
Service Factor	1.15
Poles	4
Full Load Speed	1774
Insulation Class	F
Temp Rise	80°C
NEMA Code Letter	G
Duty Cycle	S1 / Continuous
Slip	1.44%
NEMA Design	B
Moment of Inertia	2.043 lb.ft.^2
Locked Rotor Time (Hot)	12 seconds
Sound Pressure Level	60 dB(A)
Number of Starts	2 Cold / 1 Hot
Max Ambient Temperature	40°C
Max Elevation	1000 m.a.s.l (3300 f.a.s.l)
Mounting	F1
Rotation	Bi-Directional
Area of Classification	Safe Area
Inverter Rating	10:1 CT / 20:1 VT
Standard	NEMA MG 1
Approvals	UL, CE

EFFICIENCY/POWER FACTOR		
LOAD	EFF	P. F.
100%	93.0 %	0.85
75%	93.8 %	0.82
50%	93.3 %	0.74

TORQUE		
FULL LOAD	LRT	BDT
43.6 lb.ft.	260 %	276 %

AMPERAGE INFORMATION		
	230V	460V
Full Load Amps	34.8A	17.4A
Locked Rotor Amps	235.6A	117.8A
No Load Current	11.4A	5.7A
Usable at 208V	19.24A	

BEARING INFORMATION	
DE Bearing	6309Z
ODE Bearing	6307Z
Grease Type	Mobil Polyrex EM
DE Regreasing Interval	2400 Hours
ODE Regreasing Interval	3600 Hours
Grease Quantity	13g/8g

ADDITIONAL DATA	
F2 Suitable	Yes
Shaft Material	AISI 1045
Connection Diagram	12 Lead Delta
Approximate Weight	214.9 lbs.

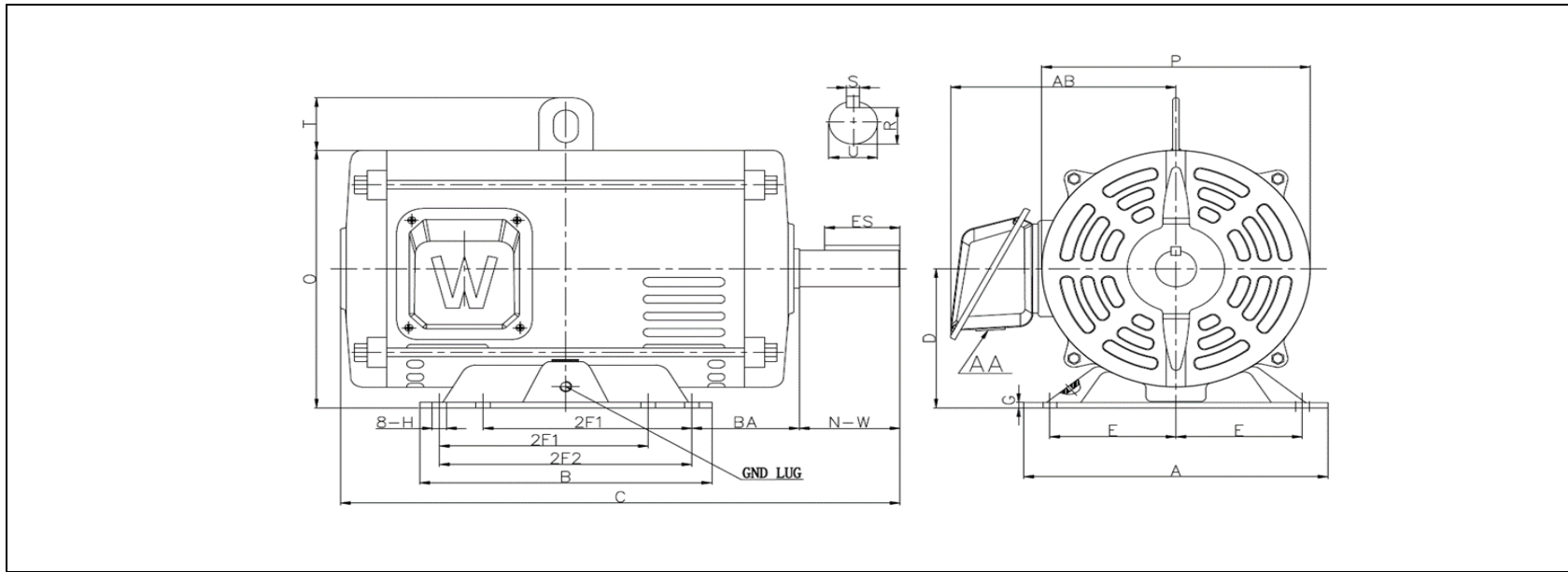
# MOTOR DRAWING

Premium Efficiency Motor: **ODP15-18-254T**

WorldWide Electric Corporation

1 (800) 808-2131

Worldwideelectric.net



## DIMENSION - INCHES

MOUNTING					A	B	C	D	G	P	O	T	AB
E	2F1	2F2	H	BA									
5	8.25	10	0.53	4.25	12.05	11.57	22.3	6.25	0.236	10.63	11.6	2.48	9.7

SHAFT & KEY				
S	ES	R	N-W	U
0.375	2.91	1.416	4	1.625

T-BOX	GND LUG
AA	
1.38	M6*P1.0

# PERFORMANCE CURVES

Premium Efficiency Motor:

**ODP15-18-254T**

WorldWide Electric Corporation

1 (800) 808-2131

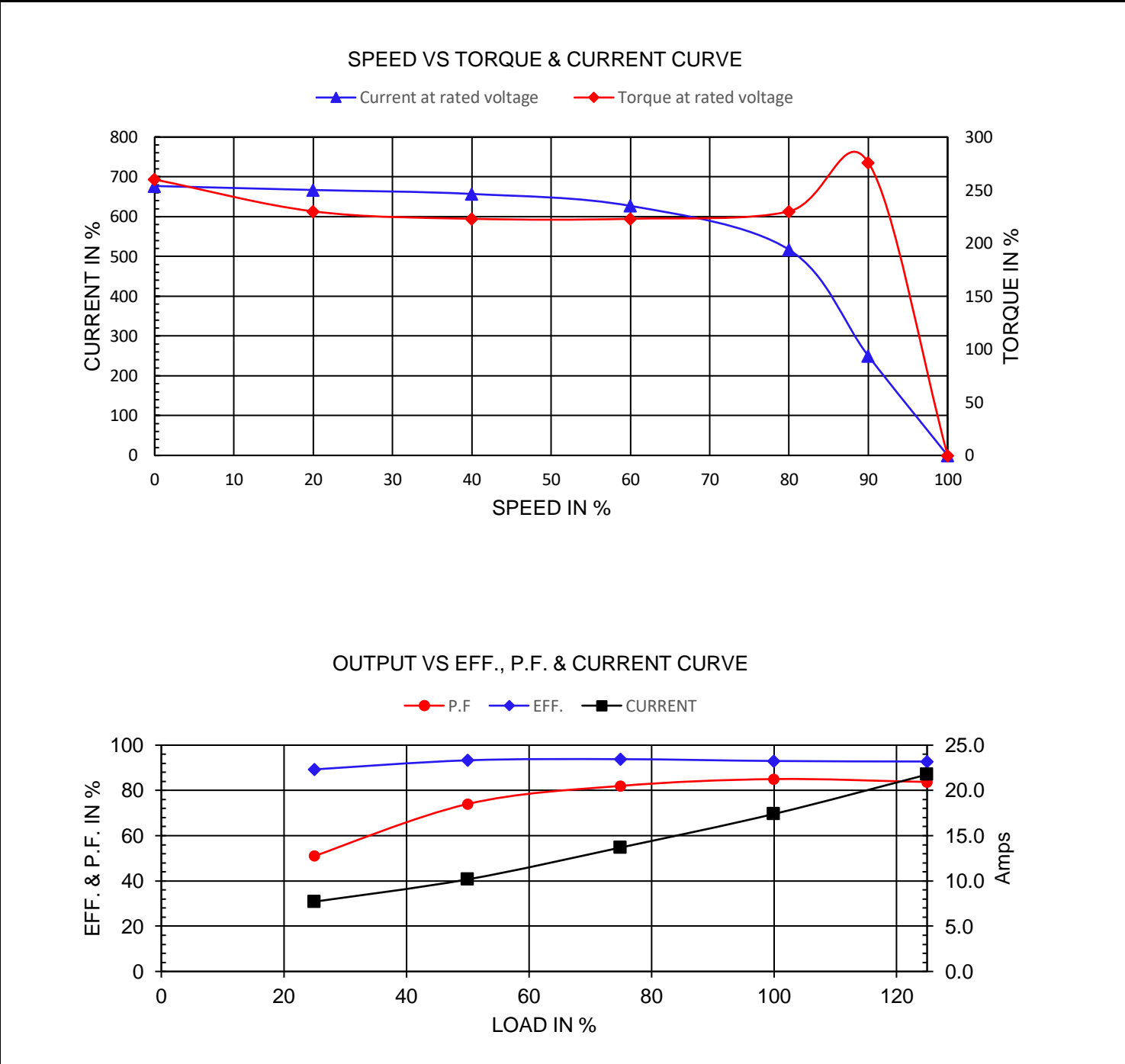
Worldwideelectric.net



Document Generated: 8-Dec-2023  
Document ID:

Customer:

Motor Type	ODP		FL Speed	1774	
Output Rating (HP)	15		LRT (%FLT)	260	
Full Load Torque	43.6	lb.ft	460 volt FLA	17.4	
Rotor Wk <sup>2</sup>	0.93	lb-ft <sup>2</sup>	230 volt FLA	34.8	
			BDT (%FLT)	276	



# NAMEPLATE / WIRING

WorldWide Electric Corporation

1 (800) 808-2131

Worldwideelectric.net



Premium Efficiency Motor: **ODP15-18-254T**

Document Generated: 8-Dec-2023  
Document ID:

Customer:

## SAMPLE NAMEPLATE DATA

		<b>OPEN DRIP PROOF 3 PHASE MOTOR</b>						
<b>Model :</b>		<b>Encl :</b> ODP		<b>SN :</b>				
<b>HP :</b>	<b>Poles :</b>	<b>FR :</b>	<b>Ins :</b> F	<b>IP 23</b>	<b>Max Amb 40°C</b>	<b>Duty:Cont</b>		
<b>Hz :</b> 60	<b>CODE:</b>		<b>Hz :</b> 50	<b>Design :</b> B		<b>L1 L2 L3</b> 230 V		
<b>Volts :</b> 230/460	<b>P.F. :</b>		<b>Volts :</b> 190/380	<b>DE BRG :</b>				
<b>Amps :</b>	<b>Eff :</b> %	<b>Amps :</b>	<b>ODE BRG :</b>		<b>L1 L2 L3</b> 460 V			
<b>RPM :</b>	<b>S.F. :</b> 1.15	<b>RPM :</b>	<b>WT :</b> LBS		<b>Date :</b>			
<b>WorldWide Electric Corporation</b>								

<b>Model:</b> ODP15-18-254T		<b>Encl:</b> ODP					
<b>HP:</b> 15	<b>Poles:</b> 4	<b>Frame</b> 254/6T	<b>Ins Cl:</b> F	<b>IP</b> IP23			
<b>Hz:</b> 60	<b>Code:</b> G	<b>Hz:</b> 50	<b>Design:</b> B				
<b>Volts:</b> 230/460	<b>P.F.:</b> 0.85	<b>Volts:</b> 190/380	<b>DE Brg:</b> 6309Z				
<b>Amps:</b> 34.8/17.4	<b>Eff:</b> 93.0%	<b>Amps:</b> 41.8/20.9	<b>ODE Brg:</b> 6307Z				
<b>RPM:</b> 1774	<b>S.F.:</b> 1.15	<b>RPM:</b> 1455	<b>WT:</b> 214.9 lbs.				
		<b>S.F.:</b> 1.0					