

DATA SHEET

Premium Efficiency Motor: **ODP15-36-200-215T,**

60 Hz

WorldWide Electric Corporation

1 (800) 808-2131

Worldwideelectric.net



Document Generated: 12-Dec-2023
Document ID:

Customer:

MOTOR INFORMATION	
HP	15
RPM	3600
Phase	3
Frequency	60
Voltage	200
Frame Size	213/5T
Enclosure	ODP
Degree of Protection	IP23
Service Factor	1.15
Poles	2
Full Load Speed	3482
Insulation Class	F
Temp Rise	80°C
NEMA Code Letter	G
Duty Cycle	S1 / Continuous
Slip	3.29%
NEMA Design	B
Moment of Inertia	0.542 lb.ft.^2
Locked Rotor Time (Hot)	12 seconds
Sound Pressure Level	67 dB(A)
Number of Starts	2 Cold / 1 Hot
Max Ambient Temperature	40°C
Max Elevation	1000 m.a.s.l (3300 f.a.s.l)
Mounting	F1
Rotation	Bi-Directional
Area of Classification	Safe Area
Inverter Rating	10:1 CT / 20:1 VT
Standard	NEMA MG 1
Approvals	UL, CE

EFFICIENCY/POWER FACTOR		
LOAD	EFF	P. F.
100%	90.2 %	0.89
75%	91.7 %	0.88
50%	92.2 %	0.84

TORQUE		
FULL LOAD	LRT	BDT
22.08 lb.ft.	337 %	385 %

AMPERAGE INFORMATION	
	200V
Full Load Amps	39.33
Locked Rotor Amps	269.56A
No Load Current	8.579A

BEARING INFORMATION	
DE Bearing	6308ZZ
ODE Bearing	6306ZZ
Grease Type	NSK SN7
DE Regreasing Interval	-- Hours
ODE Regreasing Interval	-- Hours
Grease Quantity	--

ADDITIONAL DATA	
F2 Suitable	No
Shaft Material	AISI 1045
Connection Diagram	6 Lead Delta
Approximate Weight	142 lbs.

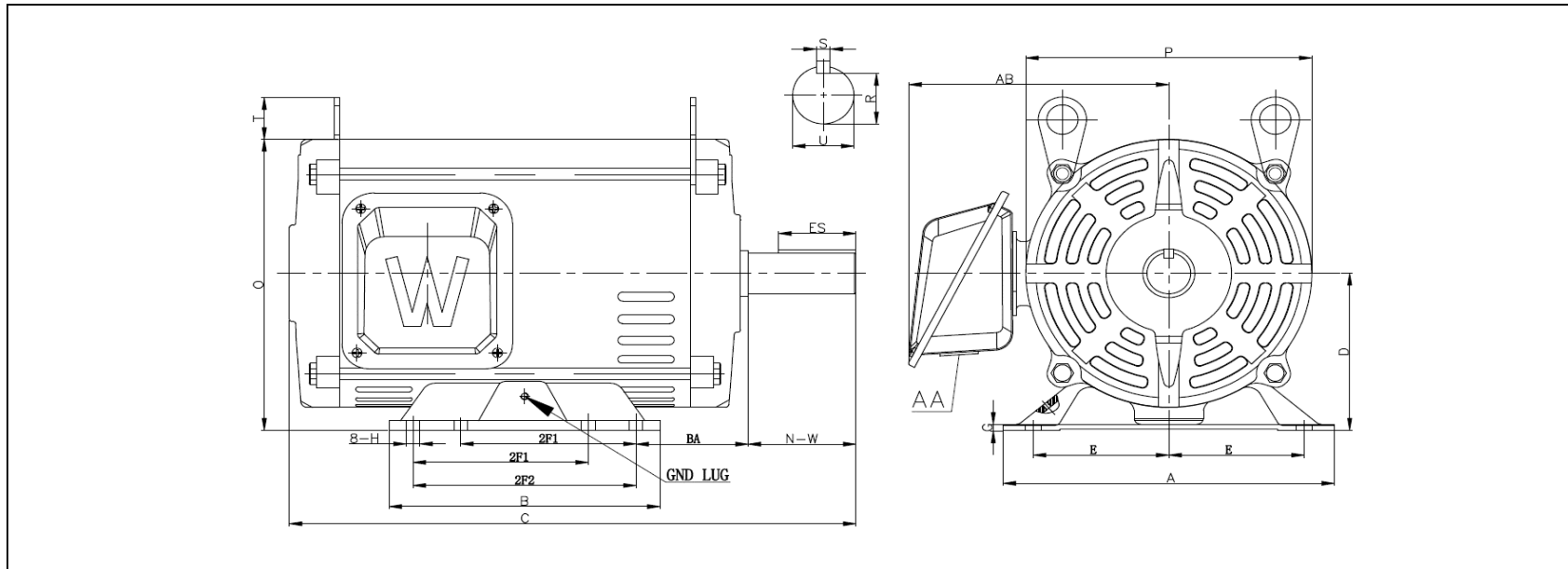
MOTOR DRAWING

Premium Efficiency Motor: **ODP15-36-200-215T**

WorldWide Electric Corporation

1 (800) 808-2131

Worldwideelectric.net



DIMENSION - INCHES

MOUNTING					A	B	C	D	G	P	O	T	AB
E	2F1	2F2	H	BA									
4.25	5.5	7	0.43	3.5	9.69	8.19	17.8	5.25	0.16	9.4	9.8	1.5	8.16

SHAFT & KEY				
S	ES	R	N-W	U
0.31	2.41	1.201	3.38	1.375

T-BOX	GND LUG
AA	M6*P1.0
1.38	

PERFORMANCE CURVES

WorldWide Electric Corporation

1 (800) 808-2131

Worldwideelectric.net

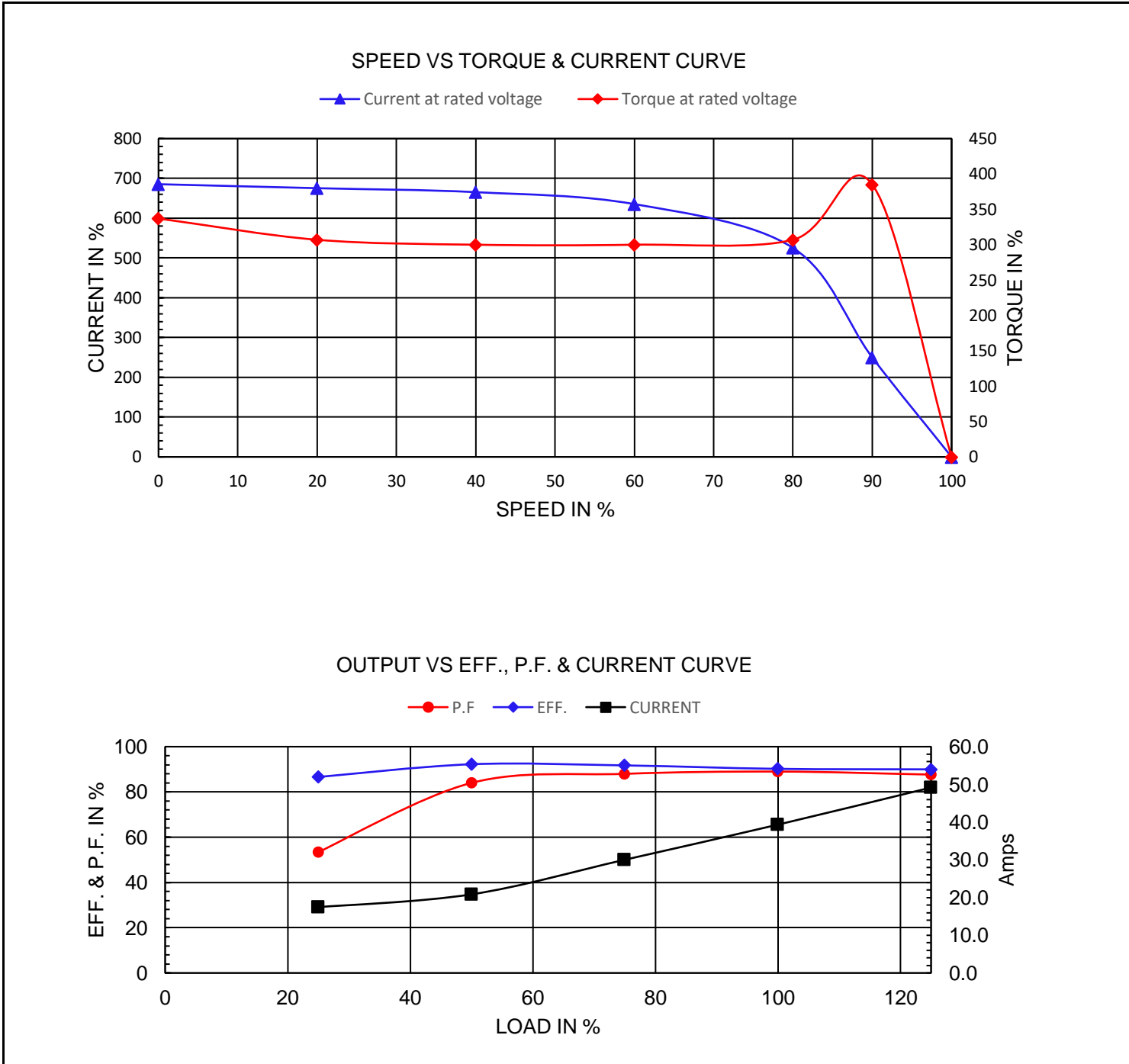


Premium Efficiency Motor:

ODP15-36-200-215T

Document Generated: 12-Dec-2023	Customer:
Document ID:	

Motor Type	PEWWE				
Output Rating (HP)	15	FL Speed	3482		
Full Load Torque	22.08 lb.ft	LRT (%FLT)	337	200 volt FLA	39.33
Rotor Wk ²	0.542 lb-ft ²	BDT (%FLT)	385		



NAMEPLATE / WIRING

WorldWide Electric Corporation

1 (800) 808-2131

Worldwideelectric.net



Premium Efficiency Motor: **ODP15-36-200-215T**

Document Generated: 12-Dec-2023
Document ID:

Customer:

SAMPLE NAMEPLATE DATA

		OPEN DRIP PROOF 3 PHASE MOTOR									
Model :		Encl :		SN :							
HP :	Poles :	FR :	Ins : F	IP 23	Max Amb 40°C	Duty:Cont					
Hz :				CODE:		Design :					
Volts :				P.F. :		DE BRG :					
Amps :				Eff :		ODE BRG :					
RPM :				S.F. :		WT :					
						Date :					
WorldWide Electric Corporation											

Model	ODP15-36-200-215T	Encl	ODP			
HP:	15	Poles:	2	FR:	213/5T	Ins: F
Hz:	60	Code:	G	Design	B	
Volts:	200	P.F.:	0.89	DE BRG:	6308ZZ	
Amps	39.33	Eff:	90.2%	ODE BRG:	6306ZZ	
RPM	3482	S.F. :	1.15	WT:	142 lbs.	