

DATA SHEET

Premium Efficiency Motor: **ODP150-18-444TC,**

60 Hz

WorldWide Electric Corporation

1 (800) 808-2131

Worldwideelectric.net



Document Generated: 11-Dec-2023
Document ID:

Customer:

MOTOR INFORMATION	
HP	150
RPM	1800
Phase	3
Frequency	60
Voltage	230/460
Frame Size	444/5TC
Enclosure	ODP
Degree of Protection	IP23
Service Factor	1.15
Poles	4
Full Load Speed	1783
Insulation Class	F
Temp Rise	80°C
NEMA Code Letter	G
Duty Cycle	S1 / Continuous
Slip	0.96%
NEMA Design	B
Moment of Inertia	39.487 lb.ft.^2
Locked Rotor Time (Hot)	12 seconds
Sound Pressure Level	90 dB(A)
Number of Starts	2 Cold / 1 Hot
Max Ambient Temperature	40°C
Max Elevation	1000 m.a.s.l (3300 f.a.s.l)
Mounting	F1
Rotation	Bi-Directional
Area of Classification	Safe Area
Inverter Rating	10:1 CT / 20:1 VT
Standard	NEMA MG 1
Approvals	UL, CE

EFFICIENCY/POWER FACTOR		
LOAD	EFF	P. F.
100%	95.8 %	0.87
75%	96.1 %	0.84
50%	95.8 %	0.74

TORQUE		
FULL LOAD	LRT	BDT
434.8 lb.ft.	194 %	316 %

AMPERAGE INFORMATION		
	230V	460V
Full Load Amps	330.8A	165.4A
Locked Rotor Amps	2346A	1173A
No Load Current	103.4A	51.7A
Usable at 208V	182.89A	

BEARING INFORMATION	
DE Bearing	6320
ODE Bearing	6316
Grease Type	Mobil Polyrex EM
DE Regreasing Interval	2400 Hours
ODE Regreasing Interval	3600 Hours
Grease Quantity	51g/33g

ADDITIONAL DATA	
F2 Suitable	Yes
Shaft Material	AISI 1045
Connection Diagram	12 Lead Delta
Approximate Weight	1547 lbs.

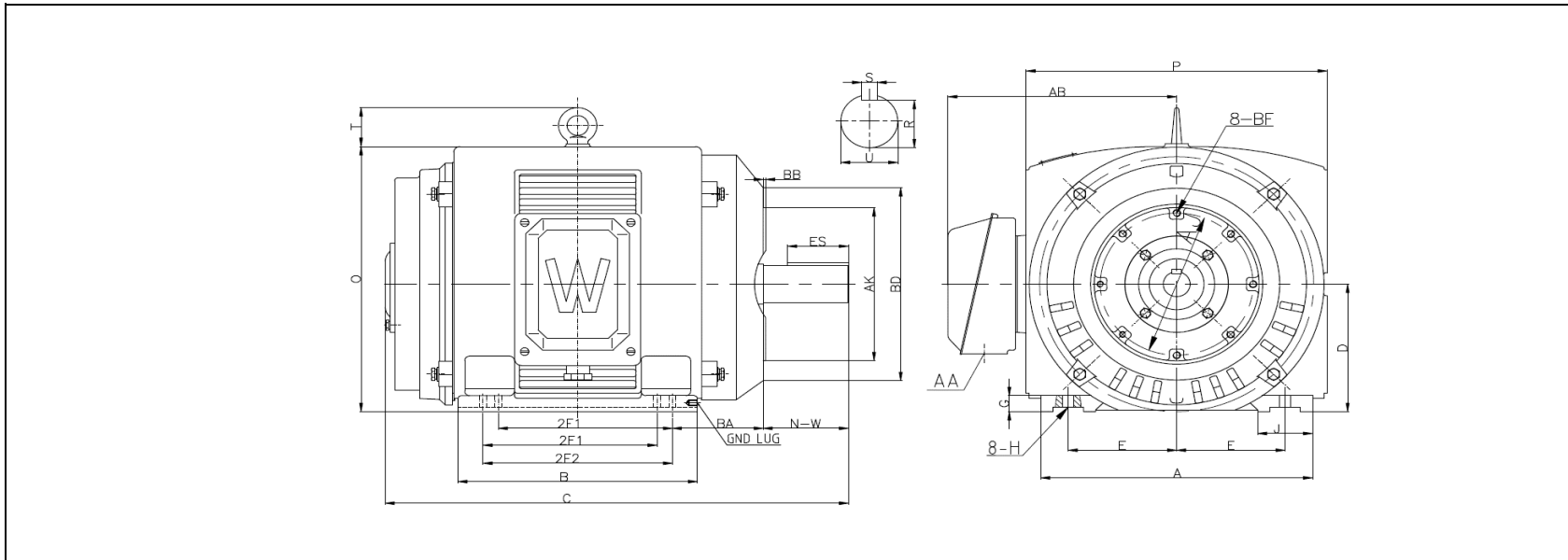
MOTOR DRAWING

Premium Efficiency Motor: **ODP150-18-444TC**

WorldWide Electric Corporation

1 (800) 808-2131

Worldwideelectric.net



DIMENSION - INCHES

MOUNTING					A	B	C	D	G	P	O	T	AB
E	2F1	2F2	H	BA									
9	14.5	16.5	0.81	7.5	22.3	22.9	39.45	11	1.37	23.42	22.7	3	20.6

SHAFT & KEY				
S	ES	R	N-W	U
0.875	6.91	2.88	8.5	3.375

T-BOX	GND LUG
AA	
3	M12*P1.75

FLANGE				
AK	BD	AJ	BF	BB
16	18	14	8*5/8-11 UNC	0.25

PERFORMANCE CURVES

Premium Efficiency Motor:

ODP150-18-444TC

WorldWide Electric Corporation

1 (800) 808-2131

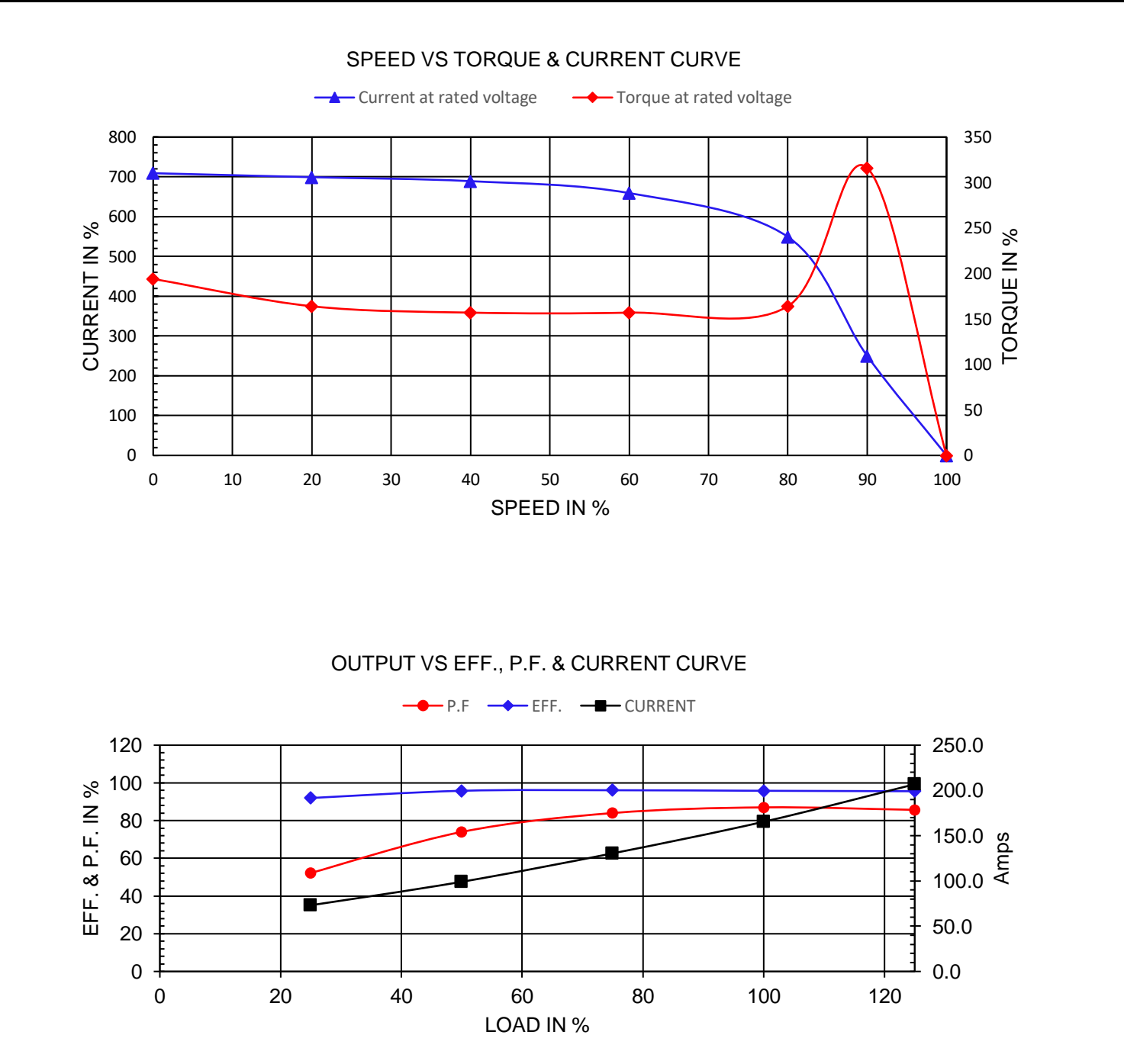
Worldwideelectric.net



Document Generated: 11-Dec-2023
Document ID:

Customer:

Motor Type	ODP				
Output Rating (HP)	150	FL Speed	1783		
Full Load Torque	434.8 lb.ft	LRT (%FLT)	194	460 volt FLA	165.4
Rotor Wk ²	0.958 lb-ft ²	BDT (%FLT)	316	230 volt FLA	330.8



NAMEPLATE / WIRING

WorldWide Electric Corporation

1 (800) 808-2131

Worldwideelectric.net



Premium Efficiency Motor: **ODP150-18-444TC**

Document Generated: 11-Dec-2023
Document ID:

Customer:

SAMPLE NAMEPLATE DATA

		OPEN DRIP PROOF 3 PHASE MOTOR							CC306B																			
Model :		Encl : ODP		SN :		<table border="0"> <tr> <td>7</td><td>8</td><td>9</td> </tr> <tr> <td>6</td><td>4</td><td>5</td> </tr> <tr> <td>12</td><td>10</td><td>11</td> </tr> <tr> <td>1</td><td>2</td><td>3</td> </tr> <tr> <td>L1</td><td>L2</td><td>L3</td> </tr> <tr> <td colspan="3" style="text-align: center;">230 V</td> </tr> </table>					7	8	9	6	4	5	12	10	11	1	2	3	L1	L2	L3	230 V		
7	8	9																										
6	4	5																										
12	10	11																										
1	2	3																										
L1	L2	L3																										
230 V																												
HP :	Poles :	FR:	Ins : F	IP23	Max Amb 40°C	Duty:Cont																						
Hz : 60	CODE :		Hz : 50		Design : B																							
Volts : 230/460	P.F :		Volts : 190/380		DE BRG :																							
Amps :	Eff : %		Amps :		ODE BRG :																							
RPM :	S.F : 1.15		RPM :		WT : LBS		<table border="0"> <tr> <td>7</td><td>8</td><td>9</td> </tr> <tr> <td>4</td><td>5</td><td>6</td> </tr> <tr> <td>12</td><td>10</td><td>11</td> </tr> <tr> <td>1</td><td>2</td><td>3</td> </tr> <tr> <td>L1</td><td>L2</td><td>L3</td> </tr> <tr> <td colspan="3" style="text-align: center;">460 V</td> </tr> </table>				7	8	9	4	5	6	12	10	11	1	2	3	L1	L2	L3	460 V		
7	8	9																										
4	5	6																										
12	10	11																										
1	2	3																										
L1	L2	L3																										
460 V																												
		S.F : 1.0		Date :																								

Model: ODP150-18-444TC		Encl: ODP								
HP: 150	Poles: 4	Frame 444/5TC	Ins Cl: F	IP IP23						
Hz: 60	Code: G	Hz: 50	Design: B							
Volts: 230/460	P.F.: 0.87	Volts: 190/380	DE Brg: 6320							
Amps: 330.8/165.4	Eff: 95.8%	Amps: 397/198.5	ODE Brg: 6316							
RPM: 1783	S.F.: 1.15	RPM: 1460	WT: 1547 lbs.							
		S.F.: 1.0								