

# DATA SHEET

Premium Efficiency Motor: **ODP150-36-405TSC,**

**60 Hz**

WorldWide Electric Corporation

1 (800) 808-2131

Worldwideelectric.net



Document Generated: 12-Dec-2023  
Document ID:

Customer:

MOTOR INFORMATION	
HP	150
RPM	3600
Phase	3
Frequency	60
Voltage	230/460
Frame Size	404/5TSC
Enclosure	ODP
Degree of Protection	IP23
Service Factor	1.15
Poles	2
Full Load Speed	3578
Insulation Class	F
Temp Rise	80°C
NEMA Code Letter	F
Duty Cycle	S1 / Continuous
Slip	0.61%
NEMA Design	B
Moment of Inertia	16.298 lb.ft.^2
Locked Rotor Time (Hot)	12 seconds
Sound Pressure Level	92 dB(A)
Number of Starts	2 Cold / 1 Hot
Max Ambient Temperature	40°C
Max Elevation	1000 m.a.s.l (3300 f.a.s.l)
Mounting	F1
Rotation	Bi-Directional
Area of Classification	Safe Area
Inverter Rating	10:1 CT / 20:1 VT
Standard	NEMA MG 1
Approvals	UL, CE

EFFICIENCY/POWER FACTOR		
LOAD	EFF	P. F.
100%	94.1 %	0.91
75%	95.2 %	0.90
50%	95.1 %	0.88

TORQUE		
FULL LOAD	LRT	BDT
215.6 lb.ft.	206 %	267 %

AMPERAGE INFORMATION		
	230V	460V
Full Load Amps	321A	160.5A
Locked Rotor Amps	2082A	1041A
No Load Current	60.4A	30.2A
Usable at 208V	177.48A	

BEARING INFORMATION	
DE Bearing	6316
ODE Bearing	6313
Grease Type	Mobil Polyrex EM
DE Regreasing Interval	2400 Hours
ODE Regreasing Interval	3600 Hours
Grease Quantity	26g/12g

ADDITIONAL DATA	
F2 Suitable	Yes
Shaft Material	AISI 1045
Connection Diagram	12 Lead Delta
Approximate Weight	1165 lbs.

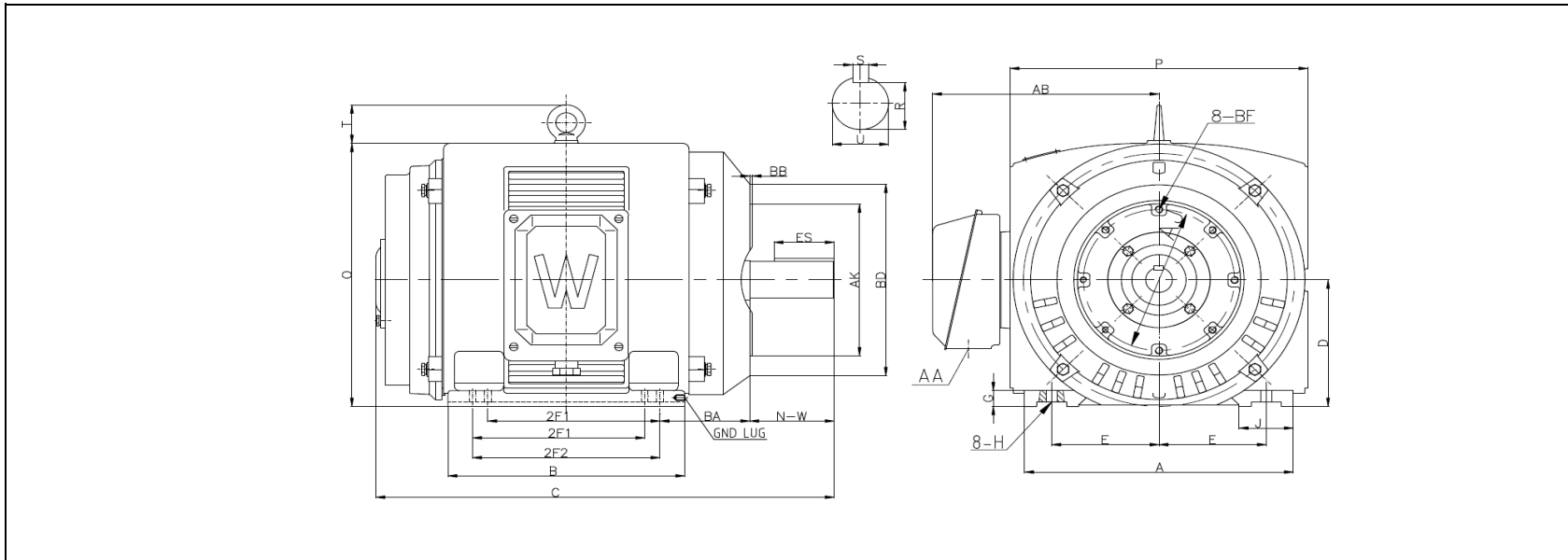
# MOTOR DRAWING

Premium Efficiency Motor: **ODP150-36-405TSC**

WorldWide Electric Corporation

1 (800) 808-2131

Worldwideelectric.net



## DIMENSION - INCHES

MOUNTING					A	B	C	D	G	P	O	T	AB
E	2F1	2F2	H	BA									
8	12.25	13.75	0.81	6.62	20	17.6	30.7	10	1.18	21.3	20.3	3	16.93

SHAFT & KEY				
S	ES	R	N-W	U
0.5	2.78	1.845	4.25	2.125

T-BOX	GND LUG
AA	
3	M12*P1.75

FLANGE				
AK	BD	AJ	BF	BB
12.5	15.5	11	8*5/8-11 UNC	0.25

# PERFORMANCE CURVES

Premium Efficiency Motor:

**ODP150-36-405TSC**

WorldWide Electric Corporation

1 (800) 808-2131

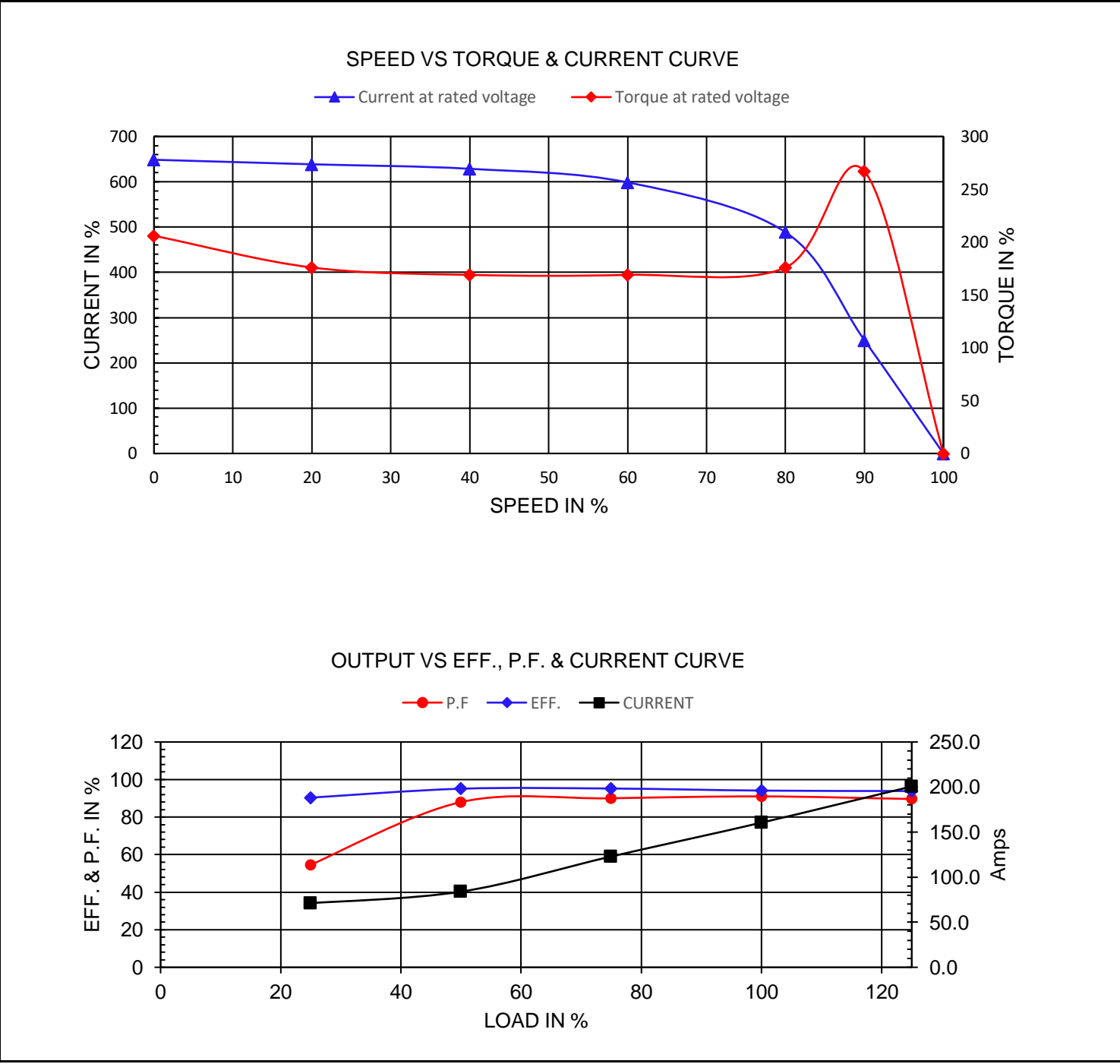
Worldwideelectric.net



Document Generated: 12-Dec-2023  
Document ID:

Customer:

Motor Type	ODP				
Output Rating (HP)	150	FL Speed	3578		
Full Load Torque	215.6 lb.ft	LRT (%FLT)	206	460 volt FLA	160.5
Rotor Wk <sup>2</sup>	0.941 lb-ft <sup>2</sup>	BDT (%FLT)	267	230 volt FLA	321



# NAMEPLATE / WIRING

WorldWide Electric Corporation

1 (800) 808-2131

Worldwideelectric.net



Premium Efficiency Motor: **ODP150-36-405TSC**

Document Generated: 12-Dec-2023  
Document ID:

Customer:

## SAMPLE NAMEPLATE DATA

		<b>OPEN DRIP PROOF 3 PHASE MOTOR</b>							
<b>CC306B</b>		<b>Model :</b>		<b>Encl : ODP</b>		<b>SN :</b>			
<b>HP :</b>	<b>Poles :</b>	<b>FR:</b>	<b>Ins : F</b>	<b>IP23</b>	<b>Max Amb 40°C</b>	<b>Duty:Cont</b>			
<b>Hz : 60</b>	<b>CODE :</b>		<b>Hz : 50</b>		<b>Design : B</b>		<b>L1 L2 L3</b>		
<b>Volts : 230/460</b>	<b>P.F. :</b>		<b>Volts : 190/380</b>		<b>DE BRG :</b>		<b>230 V</b>		
<b>Amps :</b>	<b>Eff : %</b>		<b>Amps :</b>		<b>ODE BRG :</b>				
<b>RPM :</b>	<b>S.F. : 1.15</b>		<b>RPM :</b>		<b>WT : LBS</b>				
							<b>Date :</b>		
<b>WorldWide Electric Corporation</b>									

<b>Model:</b> ODP150-36-405TSC		<b>Encl:</b> ODP						
<b>HP:</b> 150	<b>Poles:</b> 2	<b>Frame</b> 404/5TSC	<b>Ins Cl:</b> F	<b>IP</b> IP23				
<b>Hz:</b> 60	<b>Code:</b> F	<b>Hz:</b> 50	<b>Design:</b> B					
<b>Volts:</b> 230/460	<b>P.F.:</b> 0.91	<b>Volts:</b> 190/380	<b>DE Brg:</b> 6316					
<b>Amps:</b> 321/160.5	<b>Eff:</b> 94.1%	<b>Amps:</b> 385.2/192.6	<b>ODE Brg:</b> 6313					
<b>RPM:</b> 3578	<b>S.F.:</b> 1.15	<b>RPM:</b> 2935	<b>WT:</b> 1165 lbs.					
		<b>S.F.:</b> 1.0						