

# DATA SHEET

Premium Efficiency Motor: **ODP2-12-184T,**

**60 Hz**

WorldWide Electric Corporation

1 (800) 808-2131

Worldwideelectric.net



Document Generated: 8-Dec-2023  
Document ID:

Customer:

MOTOR INFORMATION	
HP	2
RPM	1200
Phase	3
Frequency	60
Voltage	230/460
Frame Size	182/4T
Enclosure	ODP
Degree of Protection	IP23
Service Factor	1.15
Poles	6
Full Load Speed	1169
Insulation Class	F
Temp Rise	80°C
NEMA Code Letter	K
Duty Cycle	S1 / Continuous
Slip	2.62%
NEMA Design	B
Moment of Inertia	0.506 lb.ft.^2
Locked Rotor Time (Hot)	12 seconds
Sound Pressure Level	60 dB(A)
Number of Starts	2 Cold / 1 Hot
Max Ambient Temperature	40°C
Max Elevation	1000 m.a.s.l (3300 f.a.s.l)
Mounting	F1
Rotation	Bi-Directional
Area of Classification	Safe Area
Inverter Rating	10:1 CT / 20:1 VT
Standard	NEMA MG 1
Approvals	UL, CE

EFFICIENCY/POWER FACTOR		
LOAD	EFF	P. F.
100%	87.5 %	0.61
75%	87.2 %	0.53
50%	84.8 %	0.41

TORQUE		
FULL LOAD	LRT	BDT
8.98 lb.ft.	319 %	326 %

AMPERAGE INFORMATION		
	230V	460V
Full Load Amps	7.2A	3.6A
Locked Rotor Amps	42.2A	21.1A
No Load Current	4.8A	2.4A
Usable at 208V	3.98A	

BEARING INFORMATION	
DE Bearing	6306ZZ
ODE Bearing	6305ZZ
Grease Type	NSK SN7
DE Regreasing Interval	-- Hours
ODE Regreasing Interval	-- Hours
Grease Quantity	--

ADDITIONAL DATA	
F2 Suitable	No
Shaft Material	AISI 1045
Connection Diagram	9 Lead Wye
Approximate Weight	76 lbs.

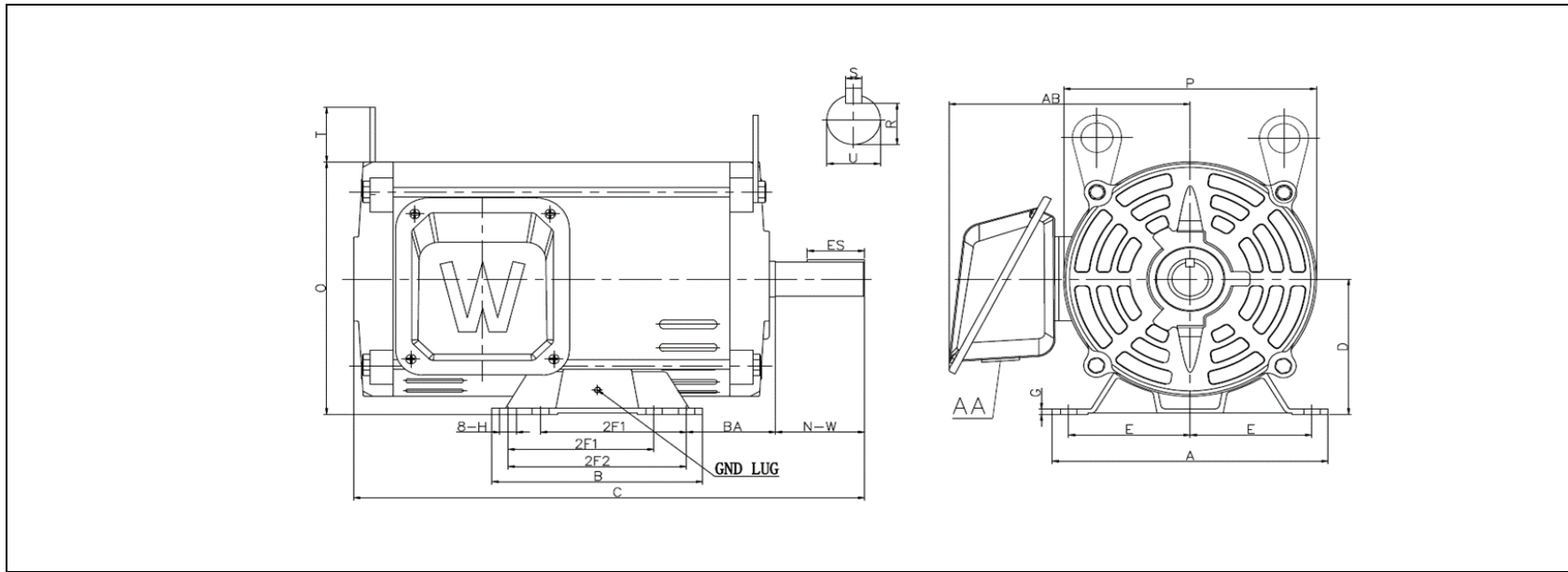
# MOTOR DRAWING

Premium Efficiency Motor: **ODP2-12-184T**

WorldWide Electric Corporation

1 (800) 808-2131

Worldwideelectric.net



## DIMENSION - INCHES

MOUNTING					A	B	C	D	G	P	O	T	AB
E	2F1	2F2	H	BA									
3.75	4.5	5.5	0.41	2.75	8.5	6.495	16.4	4.5	0.41	7.72	8.36	1.6	7.55

SHAFT & KEY				
S	ES	R	N-W	U
0.25	1.78	0.986	2.75	1.125

T-BOX	GND LUG
AA	
1.09	M5*P0.8

# PERFORMANCE CURVES

Premium Efficiency Motor: **ODP2-12-184T**

WorldWide Electric Corporation

1 (800) 808-2131

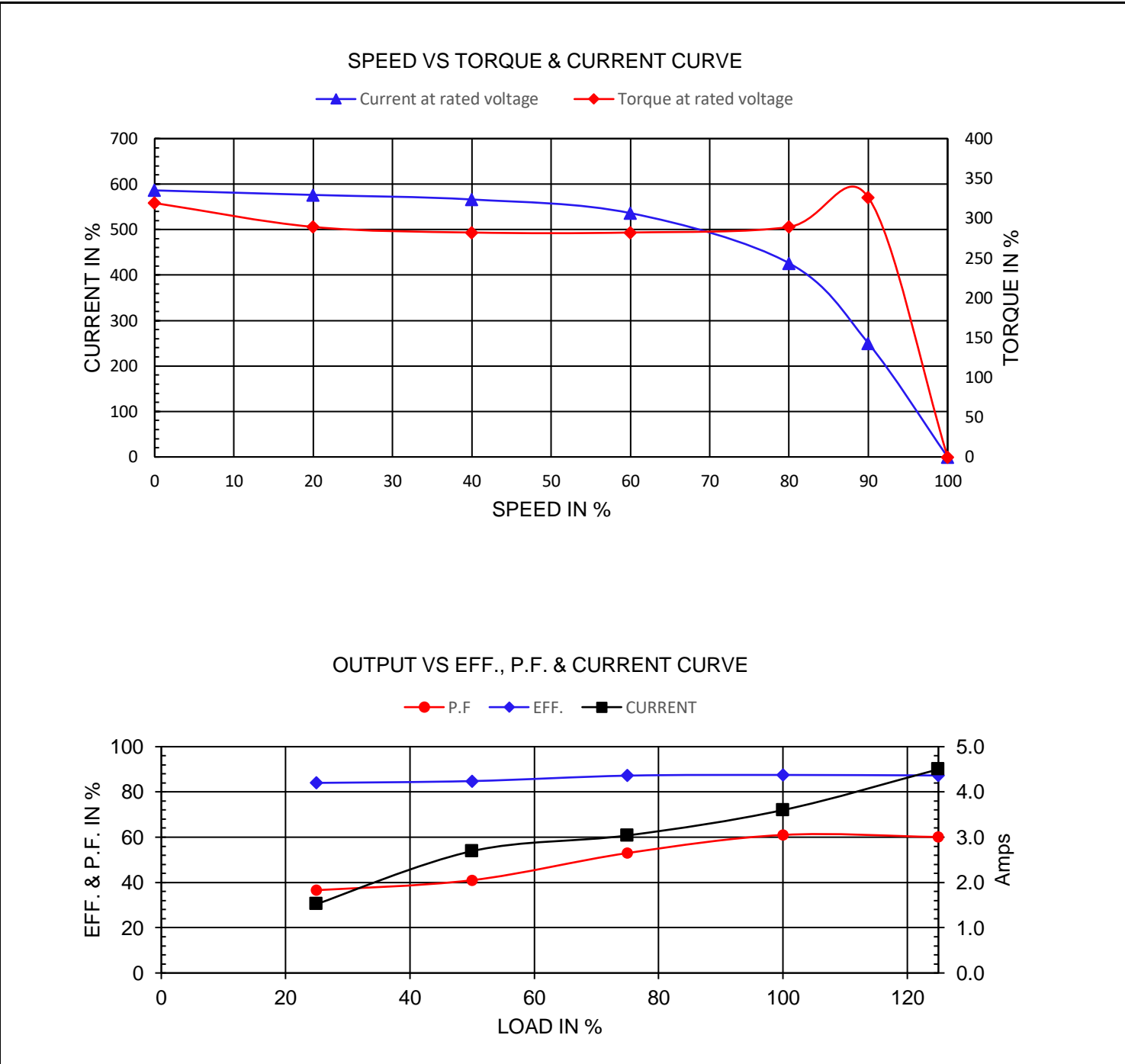
Worldwideelectric.net



Document Generated: 8-Dec-2023  
Document ID:

Customer:

Motor Type	ODP		FL Speed	1169	
Output Rating (HP)	2		LRT (%FLT)	319	460 volt FLA 3.6
Full Load Torque	8.98	lb.ft	BDT (%FLT)	326	230 volt FLA 7.2
Rotor Wk <sup>2</sup>	0.875	lb-ft <sup>2</sup>			



# NAMEPLATE / WIRING

WorldWide Electric Corporation

1 (800) 808-2131

Worldwideelectric.net



Premium Efficiency Motor: **ODP2-12-184T**

Document Generated: 8-Dec-2023  
Document ID:

Customer:

## SAMPLE NAMEPLATE DATA

		<b>OPEN DRIP PROOF 3 PHASE MOTOR</b>						
<b>Model :</b>		<b>Encl :</b> ODP		<b>SN :</b>			4 5 6 	
<b>HP :</b>	<b>Poles :</b>	<b>FR :</b>	<b>Ins :</b> F	<b>IP 23</b>	<b>Max Amb 40°C</b>	<b>Duty :</b> Cont		7 8 9 1 2 3 <b>L1 L2 L3</b> <b>230 V</b>
<b>Hz :</b> 60	<b>CODE:</b>		<b>Hz :</b> 50	<b>Design :</b> B		<b>DE BRG :</b>		4 5 6 7 8 9 1 2 3 <b>L1 L2 L3</b> <b>460 V</b>
<b>Volts :</b> 230/460	<b>P.F. :</b>		<b>Volts :</b> 190/380		<b>ODE BRG :</b>			
<b>Amps :</b>	<b>Eff: %</b>		<b>Amps :</b>		<b>WT: LBS</b>			
<b>RPM :</b>	<b>S.F. : 1.15</b>		<b>RPM :</b>		<b>Date :</b>			
<b>WorldWide Electric Corporation</b>								

<b>Model:</b> ODP2-12-184T		<b>Encl:</b> ODP					
<b>HP:</b> 2	<b>Poles:</b> 6	<b>Frame</b> 182/4T	<b>Ins Cl:</b> F	<b>IP</b> IP23			
<b>Hz:</b> 60	<b>Code:</b> K	<b>Hz:</b> 50	<b>Design:</b> B				
<b>Volts:</b> 230/460	<b>P.F.:</b> 0.61	<b>Volts:</b> 190/380	<b>DE Brg:</b> 6306ZZ				
<b>Amps:</b> 7.2/3.6	<b>Eff:</b> 87.5%	<b>Amps:</b> 8/4	<b>ODE Brg:</b> 6305ZZ				
<b>RPM:</b> 1169	<b>S.F.:</b> 1.15	<b>RPM:</b> 958	<b>WT:</b> 76 lbs.				
		<b>S.F.:</b> 1.0					