

DATA SHEET

Premium Efficiency Motor: **ODP2-36-145TC,**

60 Hz

WorldWide Electric Corporation

1 (800) 808-2131

Worldwideelectric.net



Document Generated: 11-Dec-2023
Document ID:

Customer:

| MOTOR INFORMATION | |
|-------------------------|-----------------------------|
| HP | 2 |
| RPM | 3600 |
| Phase | 3 |
| Frequency | 60 |
| Voltage | 230/460 |
| Frame Size | 143/5TC |
| Enclosure | ODP |
| Degree of Protection | IP23 |
| Service Factor | 1.15 |
| Poles | 2 |
| Full Load Speed | 3453 |
| Insulation Class | F |
| Temp Rise | 80°C |
| NEMA Code Letter | L |
| Duty Cycle | S1 / Continuous |
| Slip | 4.09% |
| NEMA Design | B |
| Moment of Inertia | 0.064 lb.ft.^2 |
| Locked Rotor Time (Hot) | 12 seconds |
| Sound Pressure Level | 63 dB(A) |
| Number of Starts | 2 Cold / 1 Hot |
| Max Ambient Temperature | 40°C |
| Max Elevation | 1000 m.a.s.l (3300 f.a.s.l) |
| Mounting | F1 |
| Rotation | Bi-Directional |
| Area of Classification | Safe Area |
| Inverter Rating | 10:1 CT / 20:1 VT |
| Standard | NEMA MG 1 |
| Approvals | UL, CE |

| EFFICIENCY/POWER FACTOR | | |
|-------------------------|--------|-------|
| LOAD | EFF | P. F. |
| 100% | 85.5 % | 0.87 |
| 75% | 87.3 % | 0.81 |
| 50% | 86.2 % | 0.71 |

| TORQUE | | |
|-------------|-------|-------|
| FULL LOAD | LRT | BDT |
| 3.02 lb.ft. | 407 % | 491 % |

| AMPERAGE INFORMATION | | |
|----------------------|--------|--------|
| | 230V | 460V |
| Full Load Amps | 5A | 2.5A |
| Locked Rotor Amps | 46.78A | 23.39A |
| No Load Current | 2.08A | 1.04A |
| Usable at 208V | 2.76A | |

| BEARING INFORMATION | |
|-------------------------|----------|
| DE Bearing | 6205ZZ |
| ODE Bearing | 6204ZZ |
| Grease Type | NSK SN7 |
| DE Regreasing Interval | -- Hours |
| ODE Regreasing Interval | -- Hours |
| Grease Quantity | -- |

| ADDITIONAL DATA | |
|--------------------|------------|
| F2 Suitable | No |
| Shaft Material | AISI 1045 |
| Connection Diagram | 9 Lead Wye |
| Approximate Weight | 34.2 lbs. |

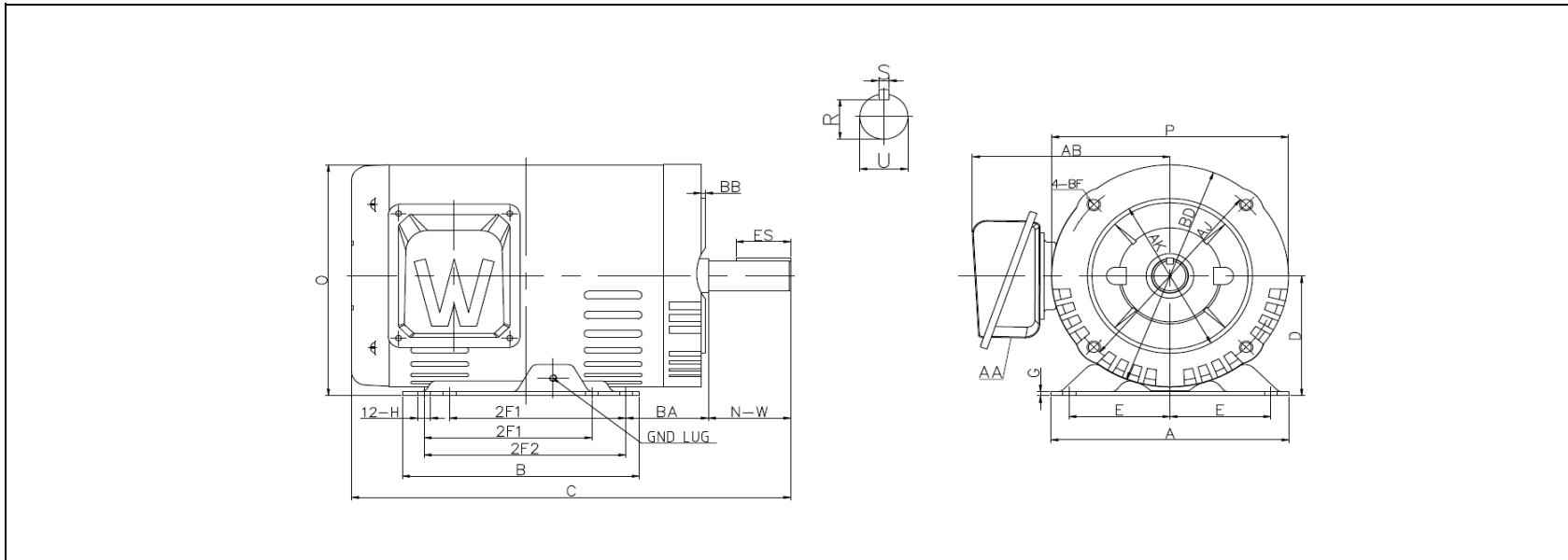
MOTOR DRAWING

Premium Efficiency Motor: **ODP2-36-145TC**

WorldWide Electric Corporation

1 (800) 808-2131

Worldwideelectric.net



DIMENSION - INCHES

| MOUNTING | | | | | A | B | C | D | G | P | O | T | AB |
|----------|-----|-----|------|------|-----|-----|--------|-----|-------|-----|------|----|-------|
| E | 2F1 | 2F2 | H | BA | | | | | | | | | |
| 2.75 | 4 | 5 | 0.34 | 2.25 | 6.5 | 6.5 | 11.974 | 3.5 | 0.118 | 6.5 | 6.73 | -- | 5.384 |

| SHAFT & KEY | | | | |
|-------------|------|-------|------|-------|
| S | ES | R | N-W | U |
| 0.188 | 1.41 | 0.771 | 2.25 | 0.875 |

| T-BOX | GND LUG |
|-------|---------|
| AA | |
| 1.09 | M5*P0.8 |

| FLANGE | | | | |
|--------|-----|-------|--------------|------|
| AK | BD | AJ | BF | BB |
| 4.5 | 6.5 | 5.875 | 4*3/8-16 UNC | 0.12 |

PERFORMANCE CURVES

WorldWide Electric Corporation

1 (800) 808-2131

Worldwideelectric.net



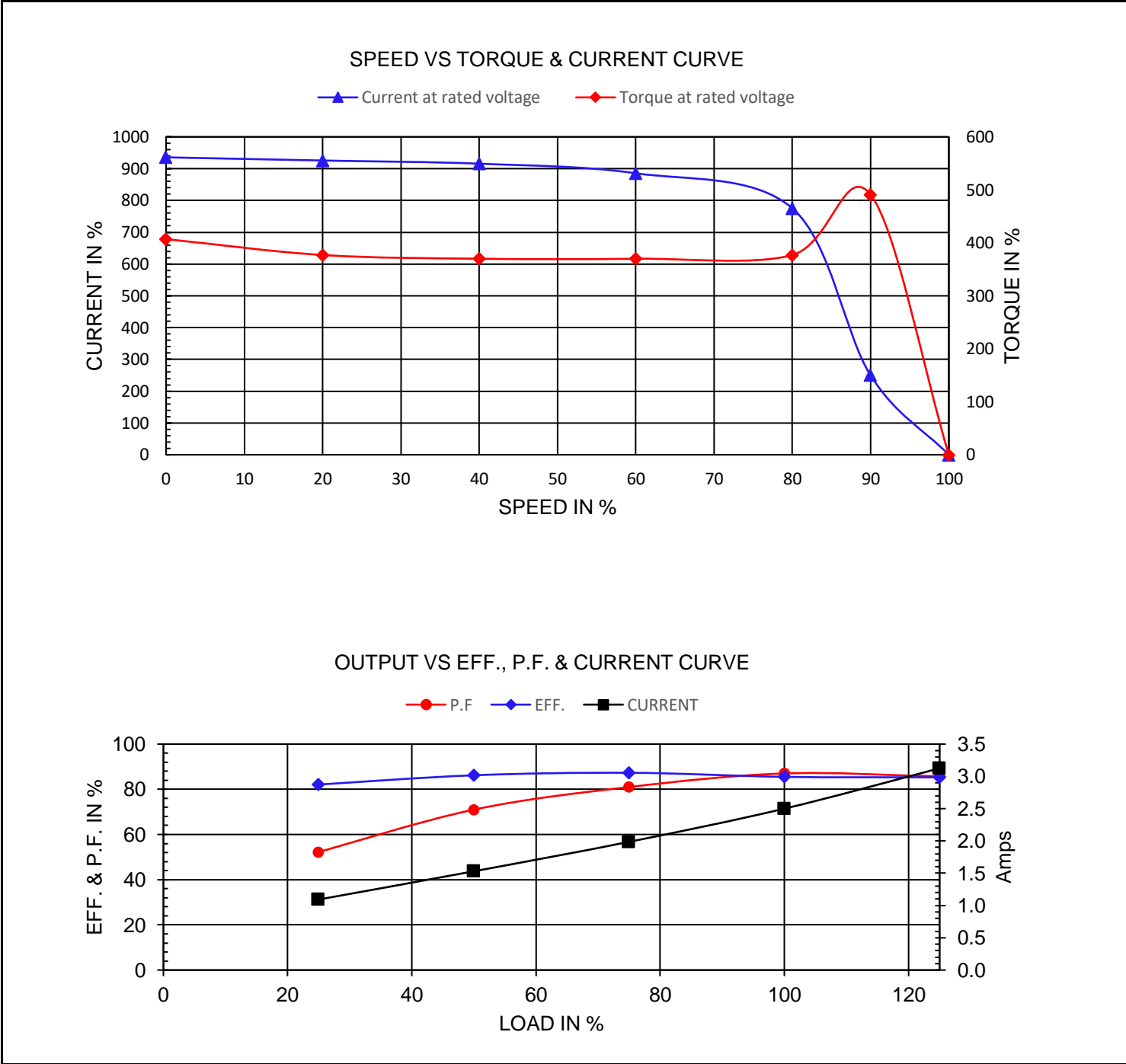
Premium Efficiency Motor:

ODP2-36-145TC

Document Generated: 11-Dec-2023
Document ID:

Customer:

| | | | | | |
|-----------------------|-------|--------------------|------------|------|------------------|
| Motor Type | ODP | | FL Speed | 3453 | |
| Output Rating (HP) | 2 | | LRT (%FLT) | 407 | 460 volt FLA 2.5 |
| Full Load Torque | 3.02 | lb.ft | BDT (%FLT) | 491 | 230 volt FLA 5 |
| Rotor Wk ² | 0.855 | lb-ft ² | | | |



NAMEPLATE / WIRING

WorldWide Electric Corporation

1 (800) 808-2131

Worldwideelectric.net



Premium Efficiency Motor: **ODP2-36-145TC**

Document Generated: 11-Dec-2023
Document ID:

Customer:

SAMPLE NAMEPLATE DATA

| | | | | | | | | |
|---------------------------------------|-------------------|--|-----------------------|------------------|---------------------|--------------------|--|--------------|
| | | OPEN DRIP PROOF 3 PHASE MOTOR | | | | | | |
| Model : | | Encl : ODP | | SN : | | | | |
| HP : | Poles : | FR : | Ins : F | IP 23 | Max Amb 40°C | Duty : Cont | | |
| Hz: 60 | CODE: | | Hz: 50 | Design: B | | DE BRG: | | 230 V |
| Volts: 230/460 | P.F.: | | Volts: 190/380 | ODE BRG: | | WT: LBS | | 460 V |
| Amps: | Eff: % | | Amps: | Date: | | | | |
| RPM: | S.F.: 1.15 | | RPM: | | | | | |
| WorldWide Electric Corporation | | | | | | | | |

| | | | | | | | |
|-----------------------------|-------------------|-----------------------|------------------------|----------------|--|--|--|
| Model: ODP2-36-145TC | | Encl: ODP | | | | | |
| HP: 2 | Poles: 2 | Frame 143/5TC | Ins Cl: F | IP IP23 | | | |
| Hz: 60 | Code: L | Hz: 50 | Design: B | | | | |
| Volts: 230/460 | P.F.: 0.87 | Volts: 190/380 | DE Brg: 6205ZZ | | | | |
| Amps: 5/2.5 | Eff: 85.5% | Amps: 6/3 | ODE Brg: 6204ZZ | | | | |
| RPM: 3453 | S.F.: 1.15 | RPM: 2835 | WT: 34.2 lbs. | | | | |
| | | S.F.: 1.0 | | | | | |