

DATA SHEET

Premium Efficiency Motor: **ODP20-18-256T-GR,**

60 Hz

WorldWide Electric Corporation

1 (800) 808-2131

Worldwideelectric.net



Document Generated: 8-Dec-2023
Document ID:

Customer:

| MOTOR INFORMATION | |
|-------------------------|-----------------------------|
| HP | 20 |
| RPM | 1800 |
| Phase | 3 |
| Frequency | 60 |
| Voltage | 230/460 |
| Frame Size | 254/6T |
| Enclosure | ODP |
| Degree of Protection | IP23 |
| Service Factor | 1.15 |
| Poles | 4 |
| Full Load Speed | 1769 |
| Insulation Class | F |
| Temp Rise | 80°C |
| NEMA Code Letter | G |
| Duty Cycle | S1 / Continuous |
| Slip | 1.72% |
| NEMA Design | B |
| Moment of Inertia | 2.503 lb.ft.^2 |
| Locked Rotor Time (Hot) | 12 seconds |
| Sound Pressure Level | 69 dB(A) |
| Number of Starts | 2 Cold / 1 Hot |
| Max Ambient Temperature | 40°C |
| Max Elevation | 1000 m.a.s.l (3300 f.a.s.l) |
| Mounting | F1 |
| Rotation | Bi-Directional |
| Area of Classification | Safe Area |
| Inverter Rating | 10:1 CT / 20:1 VT |
| Standard | NEMA MG 1 |
| Approvals | UL, CE |

| EFFICIENCY/POWER FACTOR | | |
|-------------------------|--------|-------|
| LOAD | EFF | P. F. |
| 100% | 93.0 % | 0.86 |
| 75% | 94.4 % | 0.84 |
| 50% | 94.3 % | 0.77 |

| TORQUE | | |
|--------------|-------|-------|
| FULL LOAD | LRT | BDT |
| 59.67 lb.ft. | 259 % | 299 % |

| AMPERAGE INFORMATION | | |
|----------------------|--------|--------|
| | 230V | 460V |
| Full Load Amps | 46.6A | 23.3A |
| Locked Rotor Amps | 303.4A | 151.7A |
| No Load Current | 13.96A | 6.98A |
| Usable at 208V | 25.76A | |

| BEARING INFORMATION | |
|-------------------------|------------------|
| DE Bearing | 6309Z |
| ODE Bearing | 6307Z |
| Grease Type | Mobil Polyrex EM |
| DE Regreasing Interval | 2400 Hours |
| ODE Regreasing Interval | 3600 Hours |
| Grease Quantity | 13g/8g |

| ADDITIONAL DATA | |
|--------------------|---------------|
| F2 Suitable | Yes |
| Shaft Material | AISI 1045 |
| Connection Diagram | 12 Lead Delta |
| Approximate Weight | 260.1 lbs. |

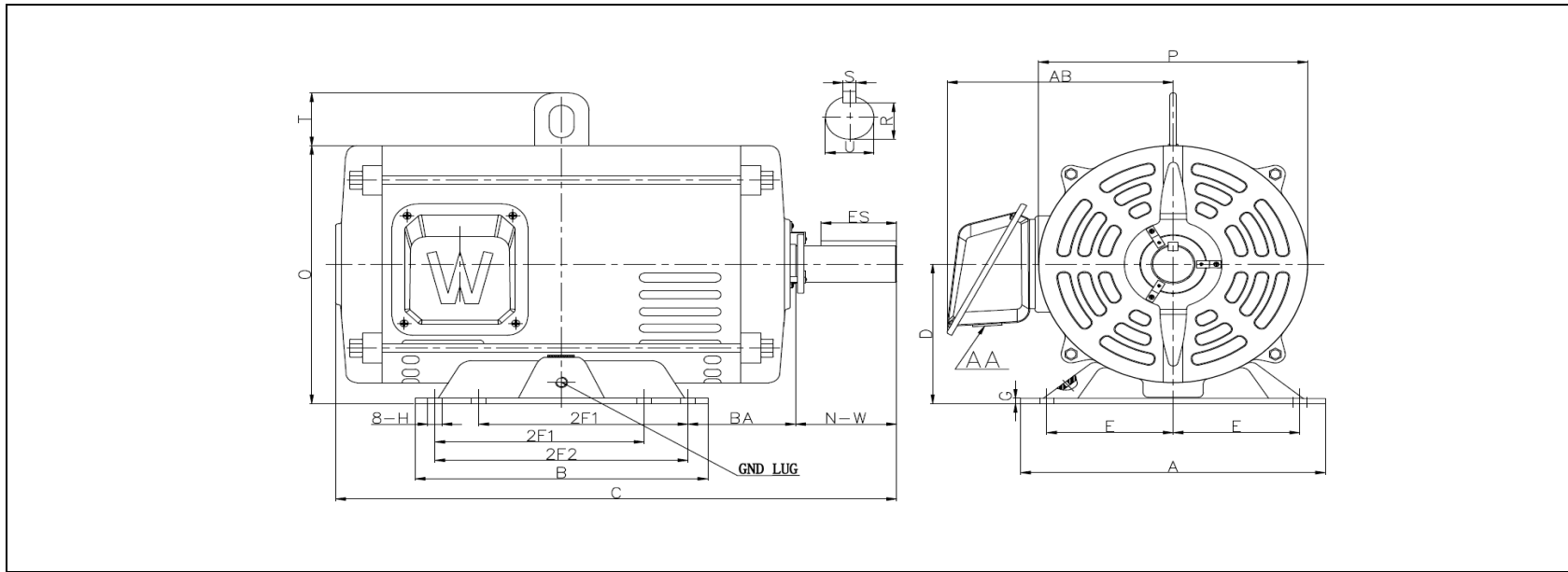
MOTOR DRAWING

Premium Efficiency Motor: **ODP20-18-256T-GR**

WorldWide Electric Corporation

1 (800) 808-2131

Worldwideelectric.net



DIMENSION - INCHES

| MOUNTING | | | | | A | B | C | D | G | P | O | T | AB |
|----------|------|-----|------|------|-------|-------|------|------|-------|-------|------|------|-----|
| E | 2F1 | 2F2 | H | BA | | | | | | | | | |
| 5 | 8.25 | 10 | 0.53 | 4.25 | 12.05 | 11.57 | 22.3 | 6.25 | 0.236 | 10.63 | 11.6 | 2.48 | 9.7 |

| SHAFT & KEY | | | | |
|-------------|------|-------|-----|-------|
| S | ES | R | N-W | U |
| 0.375 | 2.91 | 1.416 | 4 | 1.625 |

| T-BOX | GND LUG |
|-------|---------|
| AA | M6*P1.0 |
| 1.38 | |

PERFORMANCE CURVES

WorldWide Electric Corporation

1 (800) 808-2131

Worldwideelectric.net



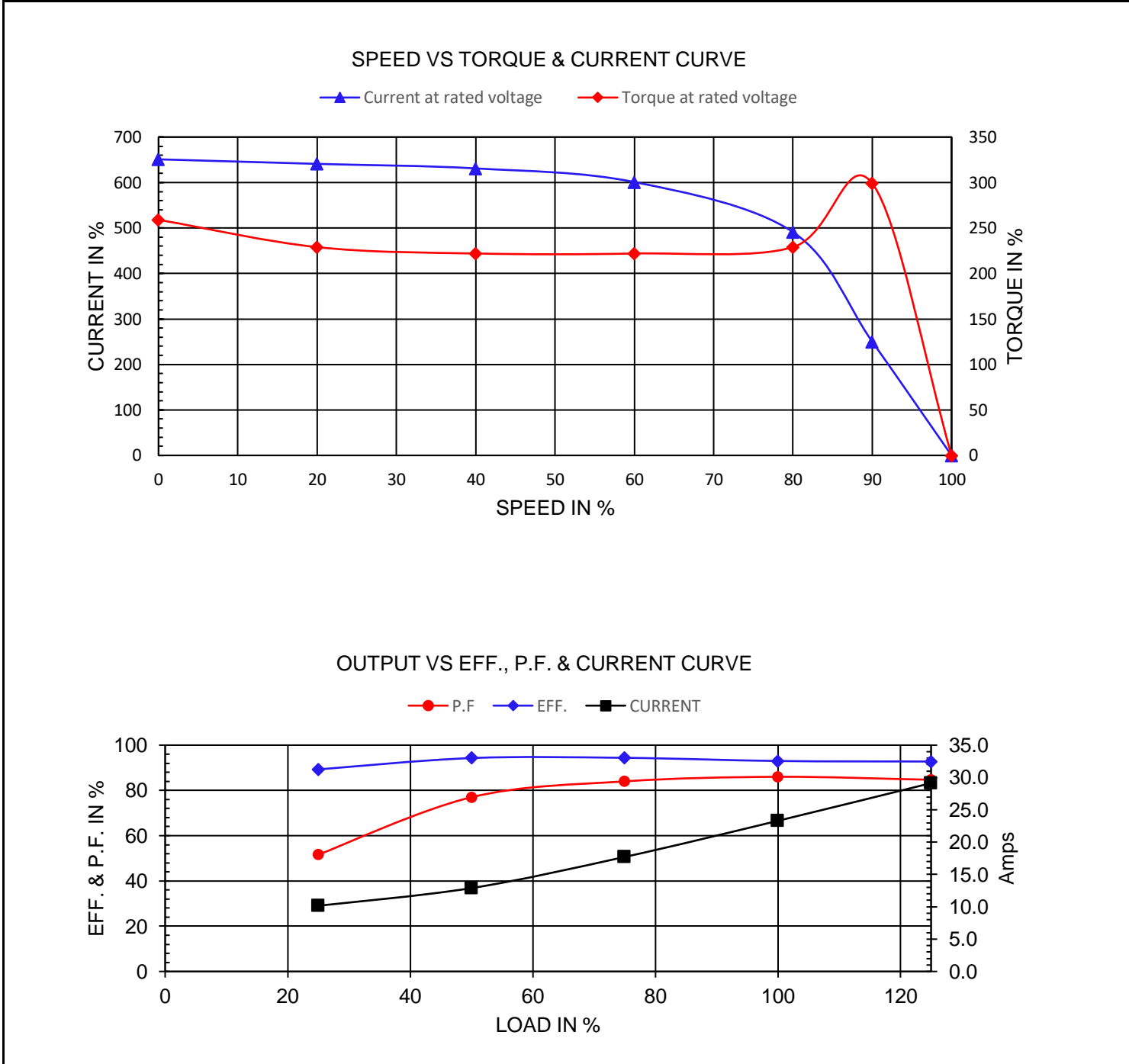
Premium Efficiency Motor:

ODP20-18-256T-GR

Document Generated: 8-Dec-2023
Document ID:

Customer:

| | | | | | |
|-----------------------|-------|--------------------|------------|------|-------------------|
| Motor Type | ODP | | FL Speed | 1769 | |
| Output Rating (HP) | 20 | | LRT (%FLT) | 259 | 460 volt FLA 23.3 |
| Full Load Torque | 59.67 | lb.ft | BDT (%FLT) | 299 | 230 volt FLA 46.6 |
| Rotor Wk ² | 0.93 | lb-ft ² | | | |



NAMEPLATE / WIRING

WorldWide Electric Corporation

1 (800) 808-2131

Worldwideelectric.net



Premium Efficiency Motor: **ODP20-18-256T-GR**

Document Generated: 8-Dec-2023
Document ID:

Customer:

SAMPLE NAMEPLATE DATA

| | | | | | | | | |
|---------------------------------------|--------------------|--|------------------------|-------------------|---------------------|--------------------------|--------------------------|--|
| | | OPEN DRIP PROOF 3 PHASE MOTOR | | | | | | |
| Model : | | Encl : ODP | | SN : | | | | |
| HP : | Poles : | FR : | Ins : F | IP 23 | Max Amb 40°C | Duty:Cont | | |
| Hz : 60 | CODE: | | Hz : 50 | Design : B | | L1 L2 L3 230 V | | |
| Volts : 230/460 | P.F. : | | Volts : 190/380 | DE BRG : | | | | |
| Amps : | Eff: % | | Amps : | ODE BRG : | | | | |
| RPM : | S.F. : 1.15 | | RPM : | WT: LBS | Date: | | L1 L2 L3 460 V | |
| WorldWide Electric Corporation | | | | | | | | |

| | | | | | | | |
|--------------------------------|-------------------|-----------------------|-----------------------|----------------|--|--|--|
| Model: ODP20-18-256T-GR | | Encl: ODP | | | | | |
| HP: 20 | Poles: 4 | Frame 254/6T | Ins Cl: F | IP IP23 | | | |
| Hz: 60 | Code: G | Hz: 50 | Design: B | | | | |
| Volts: 230/460 | P.F.: 0.86 | Volts: 190/380 | DE Brg: 6309Z | | | | |
| Amps: 46.6/23.3 | Eff: 93.0% | Amps: 56/28 | ODE Brg: 6307Z | | | | |
| RPM: 1769 | S.F.: 1.15 | RPM: 1455 | WT: 260.1 lbs. | | | | |
| | | S.F.: 1.0 | | | | | |