

DATA SHEET

Premium Efficiency Motor: **ODP20-18-256TC,**

60 Hz

WorldWide Electric Corporation

1 (800) 808-2131

Worldwideelectric.net



Document Generated: 11-Dec-2023
Document ID:

Customer:

MOTOR INFORMATION	
HP	20
RPM	1800
Phase	3
Frequency	60
Voltage	230/460
Frame Size	254/6TC
Enclosure	ODP
Degree of Protection	IP23
Service Factor	1.15
Poles	4
Full Load Speed	1769
Insulation Class	F
Temp Rise	80°C
NEMA Code Letter	G
Duty Cycle	S1 / Continuous
Slip	1.72%
NEMA Design	B
Moment of Inertia	2.503 lb.ft.^2
Locked Rotor Time (Hot)	12 seconds
Sound Pressure Level	69 dB(A)
Number of Starts	2 Cold / 1 Hot
Max Ambient Temperature	40°C
Max Elevation	1000 m.a.s.l (3300 f.a.s.l)
Mounting	F1
Rotation	Bi-Directional
Area of Classification	Safe Area
Inverter Rating	10:1 CT / 20:1 VT
Standard	NEMA MG 1
Approvals	UL, CE

EFFICIENCY/POWER FACTOR		
LOAD	EFF	P. F.
100%	93.0 %	0.86
75%	94.4 %	0.84
50%	94.3 %	0.77

TORQUE		
FULL LOAD	LRT	BDT
59.67 lb.ft.	259 %	299 %

AMPERAGE INFORMATION		
	230V	460V
Full Load Amps	46.6A	23.3A
Locked Rotor Amps	303.4A	151.7A
No Load Current	13.96A	6.98A
Usable at 208V	25.76A	

BEARING INFORMATION	
DE Bearing	6309Z
ODE Bearing	6307Z
Grease Type	Mobil Polyrex EM
DE Regreasing Interval	2400 Hours
ODE Regreasing Interval	3600 Hours
Grease Quantity	13g/8g

ADDITIONAL DATA	
F2 Suitable	Yes
Shaft Material	AISI 1045
Connection Diagram	12 Lead Delta
Approximate Weight	260.1 lbs.

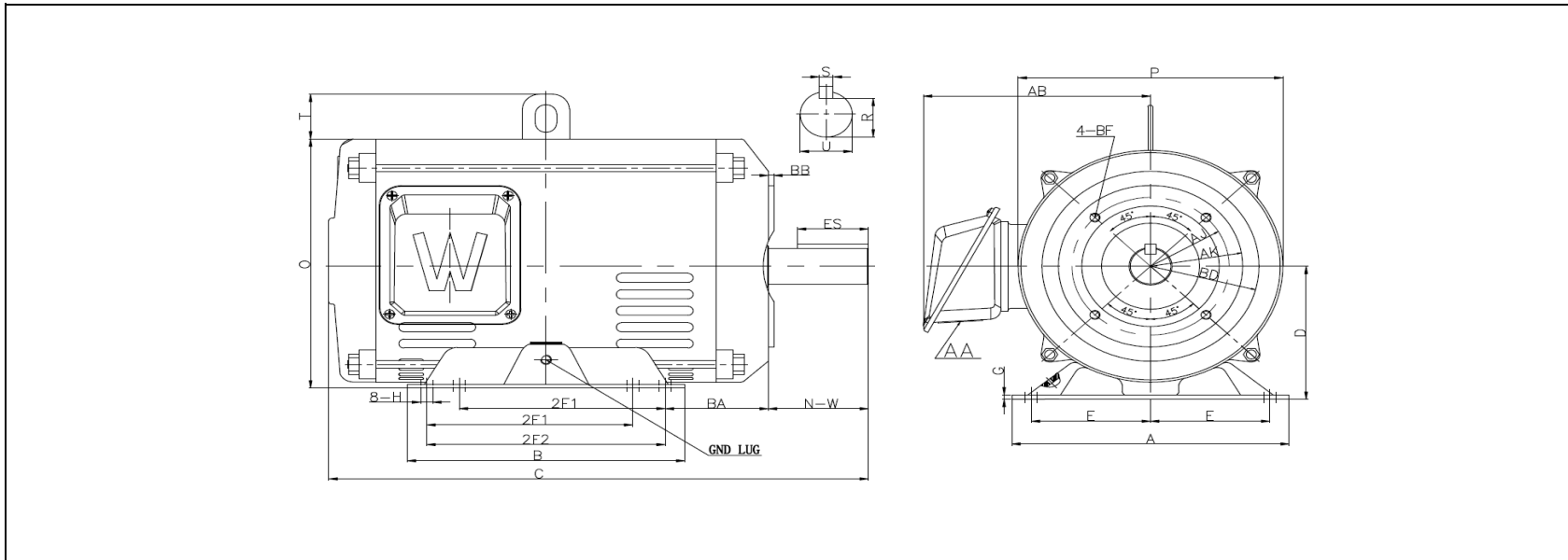
MOTOR DRAWING

Premium Efficiency Motor: **ODP20-18-256TC**

WorldWide Electric Corporation

1 (800) 808-2131

Worldwideelectric.net



DIMENSION - INCHES

MOUNTING					A	B	C	D	G	P	O	T	AB
E	2F1	2F2	H	BA									
5	8.25	10	0.53	4.25	12.05	11.57	22.3	6.25	0.236	10.63	11.6	2.48	9.7

SHAFT & KEY				
S	ES	R	N-W	U
0.375	2.91	1.416	4	1.625

T-BOX	GND LUG
AA	
1.38	M6*P1.0

FLANGE				
AK	BD	AJ	BF	BB
8.5	10	7.25	4*1/2-13 UNC	0.25

PERFORMANCE CURVES

Premium Efficiency Motor:

ODP20-18-256TC

WorldWide Electric Corporation

1 (800) 808-2131

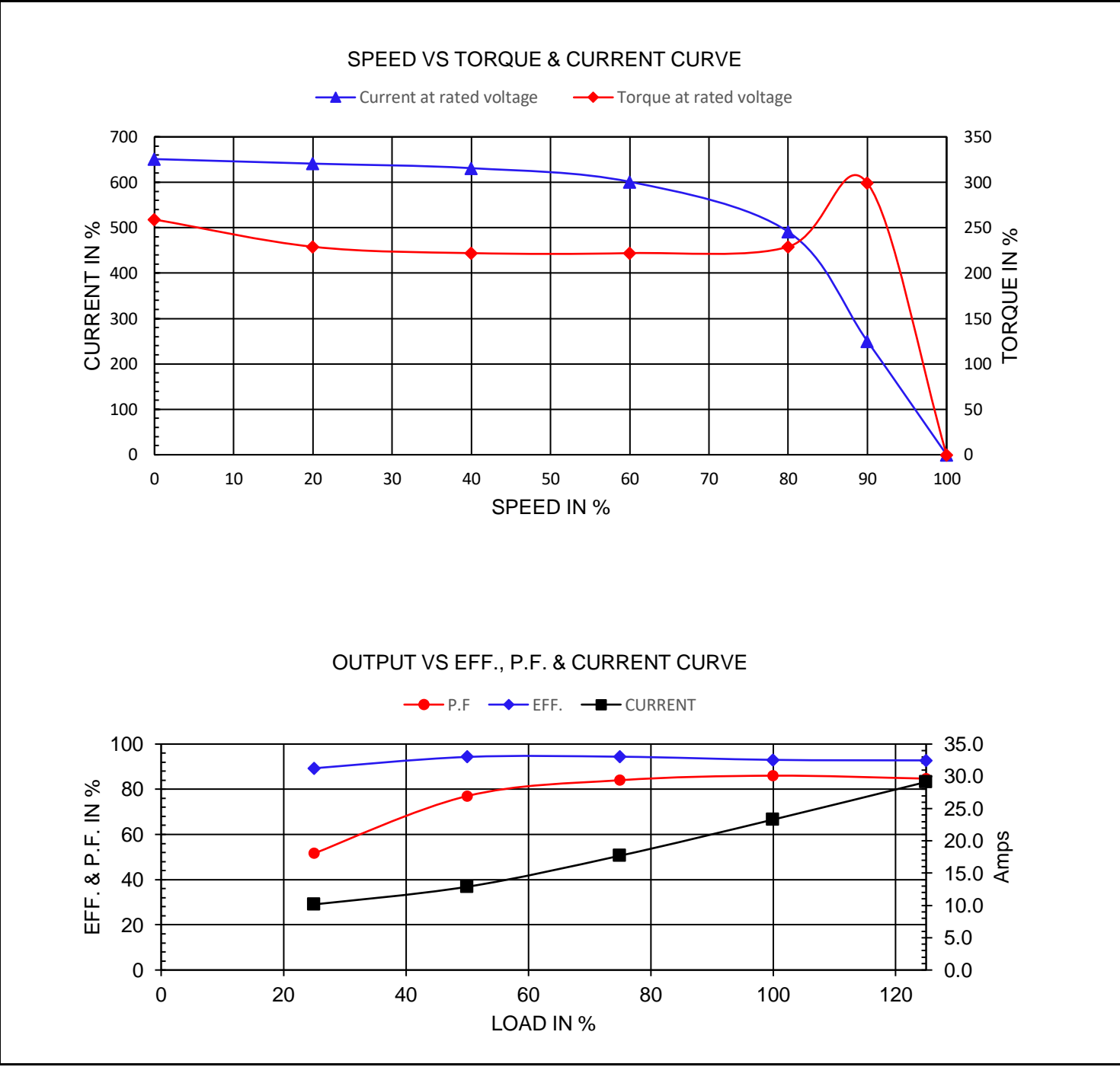
Worldwideelectric.net



Document Generated: 11-Dec-2023
Document ID:

Customer:

Motor Type	ODP				
Output Rating (HP)	20	FL Speed	1769		
Full Load Torque	59.67 lb.ft	LRT (%FLT)	259	460 volt FLA	23.3
Rotor Wk ²	0.93 lb-ft ²	BDT (%FLT)	299	230 volt FLA	46.6



NAMEPLATE / WIRING

WorldWide Electric Corporation

1 (800) 808-2131

Worldwideelectric.net



Premium Efficiency Motor: **ODP20-18-256TC**

Document Generated: 11-Dec-2023
Document ID:

Customer:

SAMPLE NAMEPLATE DATA

		OPEN DRIP PROOF 3 PHASE MOTOR						
Model :		Encl : ODP		SN :				
HP :	Poles :	FR :	Ins : F	IP 23	Max Amb 40°C	Duty:Cont		
Hz: 60	CODE:		Hz: 50	Design: B		L1 L2 L3 230 V		
Volts: 230/460	P.F.:		Volts: 190/380	DE BRG :				
Amps:	Eff: %		Amps:	ODE BRG :				
RPM :	S.F. : 1.15		RPM :	WT: LBS	Date:		L1 L2 L3 460 V	
WorldWide Electric Corporation								

Model: ODP20-18-256TC		Encl: ODP					
HP: 20	Poles: 4	Frame 254/6TC	Ins Cl: F	IP IP23			
Hz: 60	Code: G	Hz: 50	Design: B				
Volts: 230/460	P.F.: 0.86	Volts: 190/380	DE Brg: 6309Z				
Amps: 46.6/23.3	Eff: 93.0%	Amps: 56/28	ODE Brg: 6307Z				
RPM: 1769	S.F.: 1.15	RPM: 1455	WT: 260.1 lbs.				
		S.F.: 1.0					