

DATA SHEET

Premium Efficiency Motor: **ODP200-36-444TS,**

60 Hz

WorldWide Electric Corporation

1 (800) 808-2131

Worldwideelectric.net



Document Generated: 8-Dec-2023
Document ID:

Customer:

MOTOR INFORMATION	
HP	200
RPM	3600
Phase	3
Frequency	60
Voltage	230/460
Frame Size	444/5TS
Enclosure	ODP
Degree of Protection	IP23
Service Factor	1.15
Poles	2
Full Load Speed	3572
Insulation Class	F
Temp Rise	80°C
NEMA Code Letter	G
Duty Cycle	S1 / Continuous
Slip	0.77%
NEMA Design	B
Moment of Inertia	28.604 lb.ft.^2
Locked Rotor Time (Hot)	12 seconds
Sound Pressure Level	95 dB(A)
Number of Starts	2 Cold / 1 Hot
Max Ambient Temperature	40°C
Max Elevation	1000 m.a.s.l (3300 f.a.s.l)
Mounting	F1
Rotation	Bi-Directional
Area of Classification	Safe Area
Inverter Rating	10:1 CT / 20:1 VT
Standard	NEMA MG 1
Approvals	UL, CE

EFFICIENCY/POWER FACTOR		
LOAD	EFF	P. F.
100%	95.0 %	0.91
75%	94.7 %	0.91
50%	94.3 %	0.9

TORQUE		
FULL LOAD	LRT	BDT
294.7 lb.ft.	186 %	257 %

AMPERAGE INFORMATION		
	230V	460V
Full Load Amps	438.8A	219.4A
Locked Rotor Amps	2820A	1410A
No Load Current	63A	31.5A
Usable at 208V	242.61A	

BEARING INFORMATION	
DE Bearing	6320
ODE Bearing	6316
Grease Type	Mobil Polyrex EM
DE Regreasing Interval	2400 Hours
ODE Regreasing Interval	3600 Hours
Grease Quantity	51g/33g

ADDITIONAL DATA	
F2 Suitable	Yes
Shaft Material	AISI 1045
Connection Diagram	12 Lead Delta
Approximate Weight	1653 lbs.

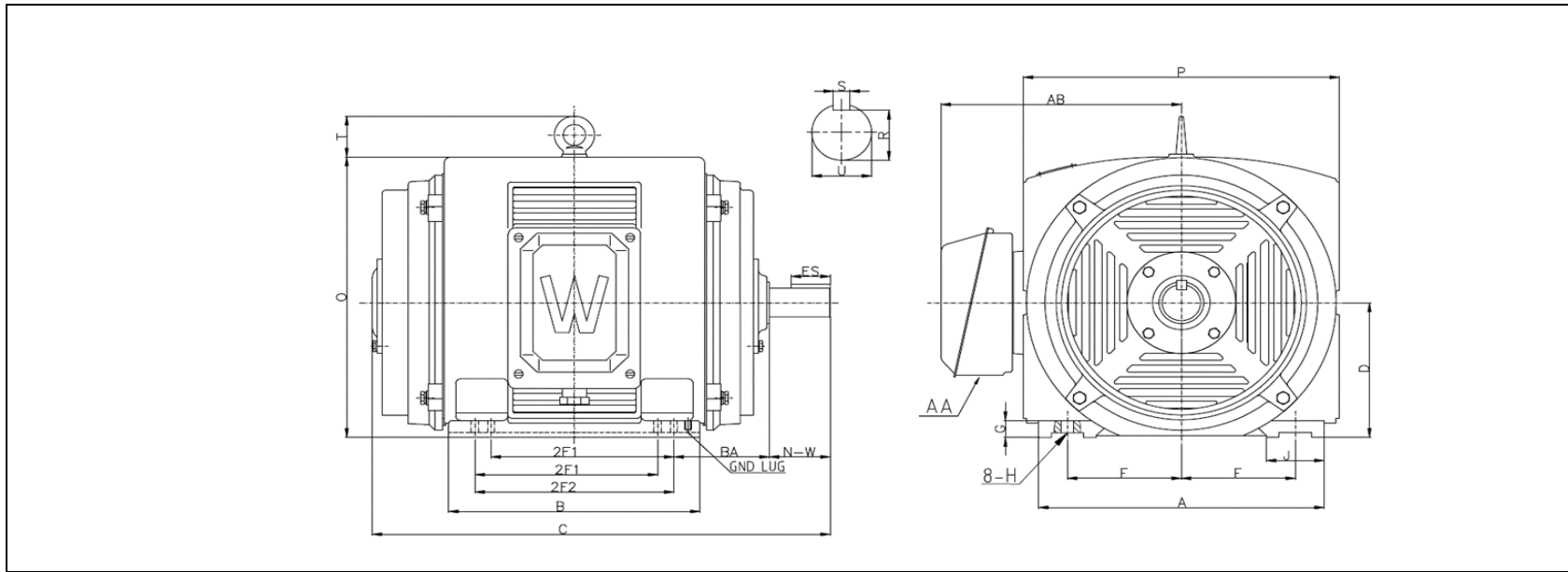
MOTOR DRAWING

Premium Efficiency Motor: **ODP200-36-444TS**

WorldWide Electric Corporation

1 (800) 808-2131

Worldwideelectric.net



DIMENSION - INCHES

MOUNTING					A	B	C	D	G	P	O	T	AB
E	2F1	2F2	H	BA									
9	14.5	16.5	0.81	7.5	22.3	22.9	35.7	11	1.37	23.42	22.7	3	20.6

SHAFT & KEY				
S	ES	R	N-W	U
0.625	3.03	2.021	4.75	2.375

T-BOX	GND LUG
AA	
3	M12*P1.75

PERFORMANCE CURVES

Premium Efficiency Motor:

ODP200-36-444TS

WorldWide Electric Corporation

1 (800) 808-2131

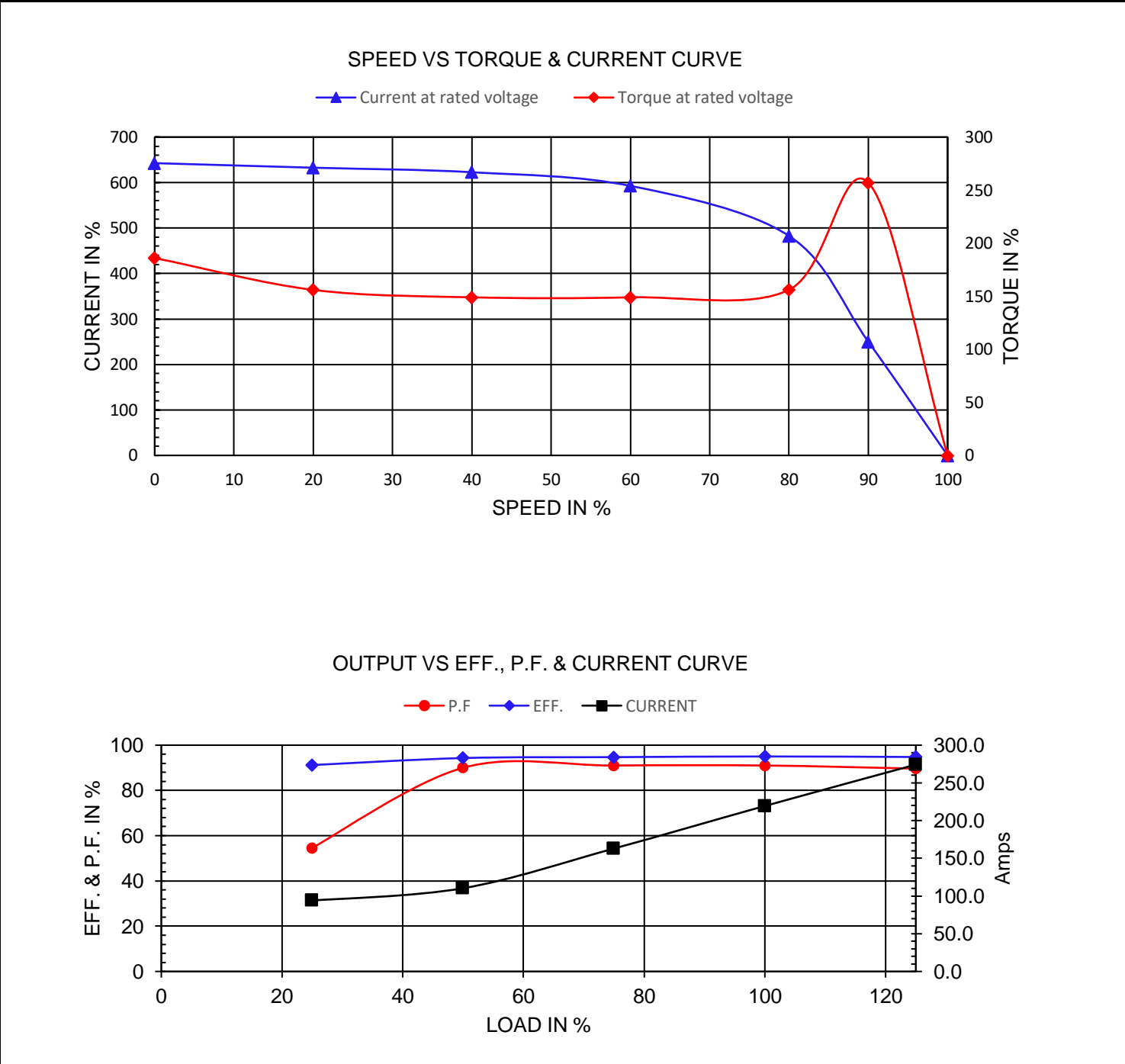
Worldwideelectric.net



Document Generated: 8-Dec-2023
Document ID:

Customer:

Motor Type	ODP				
Output Rating (HP)	200	FL Speed	3572		
Full Load Torque	294.7 lb.ft	LRT (%FLT)	186	460 volt FLA	219.4
Rotor Wk ²	0.95 lb-ft ²	BDT (%FLT)	257	230 volt FLA	438.8



NAMEPLATE / WIRING

WorldWide Electric Corporation

1 (800) 808-2131

Worldwideelectric.net



Premium Efficiency Motor: **ODP200-36-444TS**

Document Generated: 8-Dec-2023
Document ID:

Customer:

SAMPLE NAMEPLATE DATA

		OPEN DRIP PROOF 3 PHASE MOTOR																					
Model :		Encl : ODP		SN :																			
HP :	Poles :	FR :	Ins : F	IP23	Max Amb 40°C	Duty:Cont	<table border="0"> <tr><td>7</td><td>8</td><td>9</td></tr> <tr><td>6</td><td>4</td><td>5</td></tr> <tr><td>12</td><td>10</td><td>11</td></tr> <tr><td>1</td><td>2</td><td>3</td></tr> <tr><td>L1</td><td>L2</td><td>L3</td></tr> </table>		7	8	9	6	4	5	12	10	11	1	2	3	L1	L2	L3
7	8	9																					
6	4	5																					
12	10	11																					
1	2	3																					
L1	L2	L3																					
Hz : 60	CODE :		Hz : 50	Design : B		L1 L2 L3																	
Volts : 230/460	P.F :		Volts : 190/380	DE BRG :		230 V																	
Amps :	Eff : %		Amps :	ODE BRG :		<table border="0"> <tr><td>7</td><td>8</td><td>9</td></tr> <tr><td>4</td><td>15</td><td>6</td></tr> <tr><td>12</td><td>10</td><td>11</td></tr> <tr><td>1</td><td>2</td><td>3</td></tr> <tr><td>L1</td><td>L2</td><td>L3</td></tr> </table>		7	8	9	4	15	6	12	10	11	1	2	3	L1	L2	L3	
7	8	9																					
4	15	6																					
12	10	11																					
1	2	3																					
L1	L2	L3																					
RPM :	S.F : 1.15		RPM :	WT : LBS		L1 L2 L3																	
			S.F : 1.0		Date :		460 V																
WorldWide Electric Corporation																							

Model:	ODP200-36-444TS	Encl:	ODP						
HP:	200	Poles:	2	Frame	444/5TS	Ins Cl:	F	IP	IP23
Hz:	60	Code:	G	Hz:	50	Design:	B		
Volts:	230/460	P.F.:	0.91	Volts:	190/380	DE Brg:	6320		
Amps:	438.8/219.4	Eff:	95.0%	Amps:	526.6/263.3	ODE Brg:	6316		
RPM:	3572	S.F.:	1.15	RPM:	2930	WT:	1653 lbs.		
				S.F.:	1.0				