

DATA SHEET

Premium Efficiency Motor: **ODP25-12-324T,**

60 Hz

WorldWide Electric Corporation

1 (800) 808-2131

Worldwideelectric.net



Document Generated: 8-Dec-2023
Document ID:

Customer:

MOTOR INFORMATION	
HP	25
RPM	1200
Phase	3
Frequency	60
Voltage	230/460
Frame Size	324/6T
Enclosure	ODP
Degree of Protection	IP23
Service Factor	1.15
Poles	6
Full Load Speed	1184
Insulation Class	F
Temp Rise	80°C
NEMA Code Letter	F
Duty Cycle	S1 / Continuous
Slip	1.38%
NEMA Design	B
Moment of Inertia	7.774 lb.ft.^2
Locked Rotor Time (Hot)	12 seconds
Sound Pressure Level	69 dB(A)
Number of Starts	2 Cold / 1 Hot
Max Ambient Temperature	40°C
Max Elevation	1000 m.a.s.l (3300 f.a.s.l)
Mounting	F1
Rotation	Bi-Directional
Area of Classification	Safe Area
Inverter Rating	10:1 CT / 20:1 VT
Standard	NEMA MG 1
Approvals	UL, CE

EFFICIENCY/POWER FACTOR		
LOAD	EFF	P. F.
100%	93.0 %	0.81
75%	93.4 %	0.78
50%	92.8 %	0.7

TORQUE		
FULL LOAD	LRT	BDT
110.5 lb.ft.	219 %	235 %

AMPERAGE INFORMATION		
	230V	460V
Full Load Amps	61.6A	30.8A
Locked Rotor Amps	324.8A	162.4A
No Load Current	23A	11.5A
Usable at 208V	34.06A	

BEARING INFORMATION	
DE Bearing	6314Z
ODE Bearing	6212Z
Grease Type	Mobil Polyrex EM
DE Regreasing Interval	2400 Hours
ODE Regreasing Interval	3600 Hours
Grease Quantity	26g/12g

ADDITIONAL DATA	
F2 Suitable	Yes
Shaft Material	AISI 1045
Connection Diagram	12 Lead Delta
Approximate Weight	398 lbs.

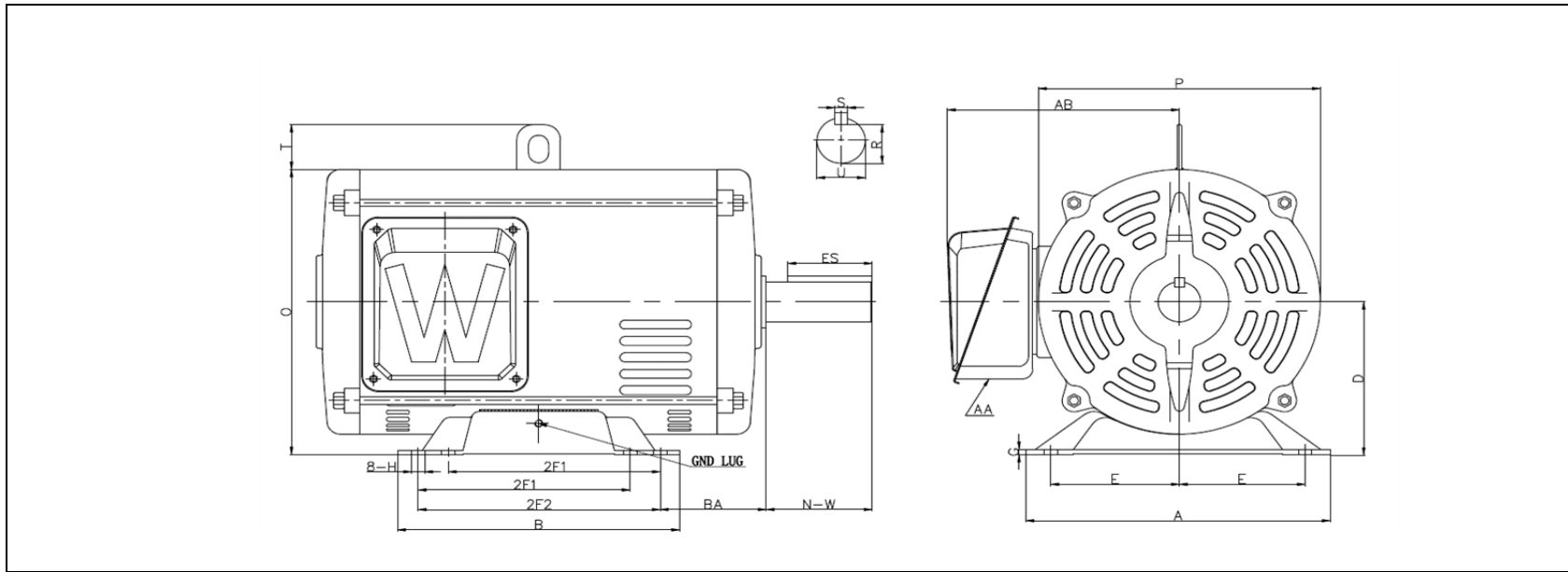
MOTOR DRAWING

Premium Efficiency Motor: **ODP25-12-324T**

WorldWide Electric Corporation

1 (800) 808-2131

Worldwideelectric.net



DIMENSION - INCHES

MOUNTING					A	B	C	D	G	P	O	T	AB
E	2F1	2F2	H	BA									
6.25	10.5	12	0.66	5.25	15.08	14	27.8	8	0.275	14	15	2.36	13.1

SHAFT & KEY				
S	ES	R	N-W	U
0.5	3.91	1.845	5.25	2.125

T-BOX	GND LUG
AA	
2.5	M8*P1.25

PERFORMANCE CURVES

Premium Efficiency Motor:

ODP25-12-324T

WorldWide Electric Corporation

1 (800) 808-2131

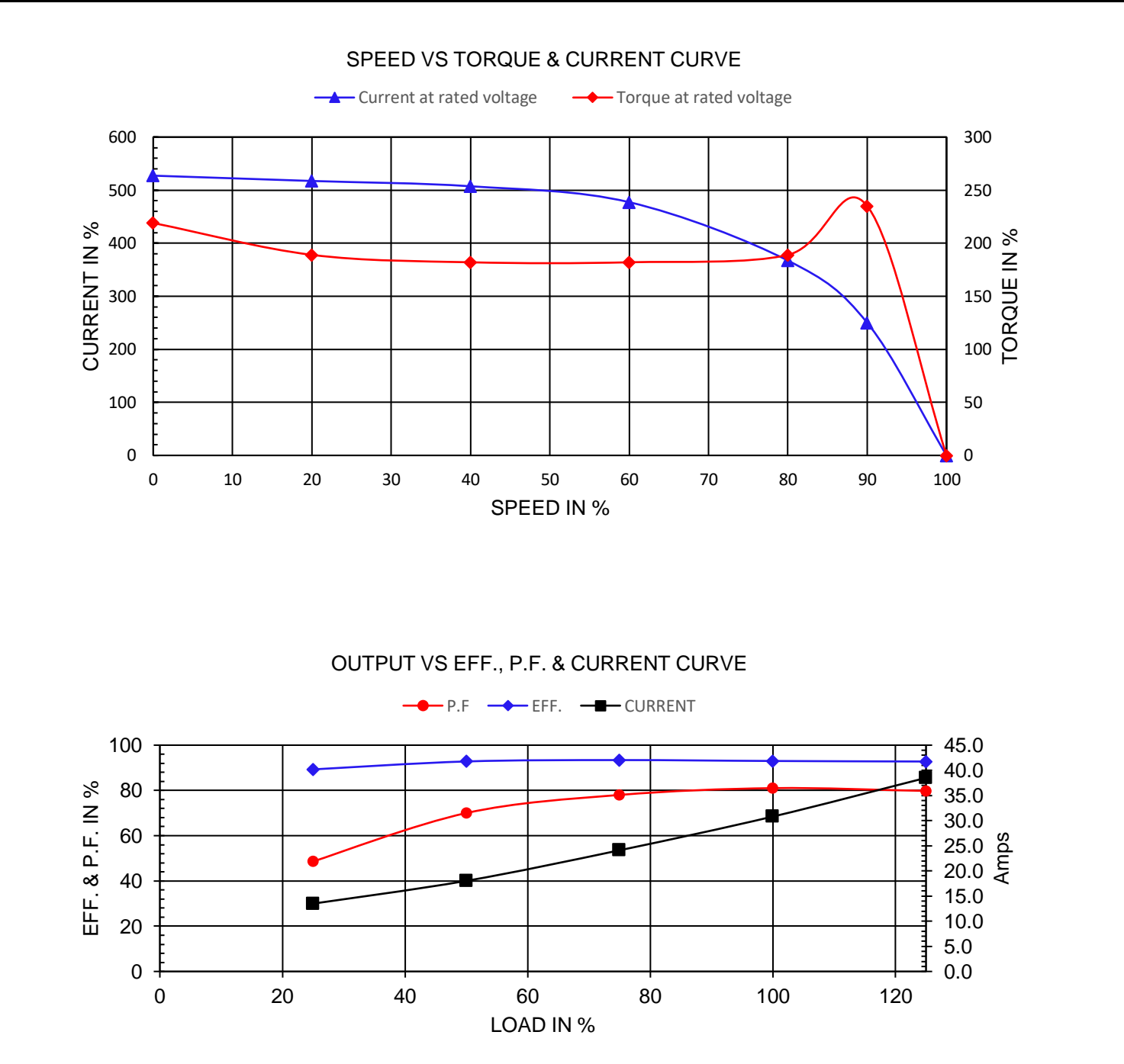
Worldwideelectric.net



Document Generated: 8-Dec-2023
Document ID:

Customer:

Motor Type	ODP		FL Speed	1184	
Output Rating (HP)	25		LRT (%FLT)	219	460 volt FLA 30.8
Full Load Torque	110.5	lb.ft	BDT (%FLT)	235	230 volt FLA 61.6
Rotor Wk ²	0.93	lb-ft ²			



NAMEPLATE / WIRING

WorldWide Electric Corporation

1 (800) 808-2131

Worldwideelectric.net



Premium Efficiency Motor: **ODP25-12-324T**

Document Generated: 8-Dec-2023
Document ID:

Customer:

SAMPLE NAMEPLATE DATA

		OPEN DRIP PROOF 3 PHASE MOTOR						
Model :		Encl : ODP		SN :				
HP :	Poles :	FR :	Ins : F	IP 23	Max Amb 40°C	Duty:Cont		
Hz : 60	CODE:		Hz : 50	Design : B		L1 L2 L3 230 V		
Volts : 230/460	P.F. :		Volts : 190/380	DE BRG :		ODE BRG :		
Amps :	Eff: %		Amps :	WT: LBS		Date:		
RPM :	S.F. : 1.15		RPM :	S.F. : 1.0		L1 L2 L3 460 V		
WorldWide Electric Corporation								

Model: ODP25-12-324T		Encl: ODP					
HP: 25	Poles: 6	Frame 324/6T	Ins Cl: F	IP IP23			
Hz: 60	Code: F	Hz: 50	Design: B				
Volts: 230/460	P.F.: 0.81	Volts: 190/380	DE Brg: 6314Z				
Amps: 61.6/30.8	Eff: 93.0%	Amps: 74/37	ODE Brg: 6212Z				
RPM: 1184	S.F.: 1.15	RPM: 975	WT: 398 lbs.				
		S.F.: 1.0					