

# DATA SHEET

Premium Efficiency Motor: **ODP25-18-200-284T,**

**60 Hz**

WorldWide Electric Corporation

1 (800) 808-2131

Worldwideelectric.net



Document Generated: 12-Dec-2023  
Document ID:

Customer:

MOTOR INFORMATION	
HP	25
RPM	1800
Phase	3
Frequency	60
Voltage	200
Frame Size	284/6T
Enclosure	ODP
Degree of Protection	IP23
Service Factor	1.15
Poles	4
Full Load Speed	1776
Insulation Class	F
Temp Rise	80°C
NEMA Code Letter	G
Duty Cycle	S1 / Continuous
Slip	1.35%
NEMA Design	B
Moment of Inertia	3.183 lb.ft.^2
Locked Rotor Time (Hot)	12 seconds
Sound Pressure Level	70 dB(A)
Number of Starts	2 Cold / 1 Hot
Max Ambient Temperature	40°C
Max Elevation	1000 m.a.s.l (3300 f.a.s.l)
Mounting	F1
Rotation	Bi-Directional
Area of Classification	Safe Area
Inverter Rating	10:1 CT / 20:1 VT
Standard	NEMA MG 1
Approvals	UL, CE

EFFICIENCY/POWER FACTOR		
LOAD	EFF	P. F.
100%	93.6 %	0.83
75%	94.1 %	0.78
50%	93.5 %	0.68

TORQUE		
FULL LOAD	LRT	BDT
73.2 lb.ft.	243 %	255 %

AMPERAGE INFORMATION	
	200V
Full Load Amps	69
Locked Rotor Amps	437A
No Load Current	28.29A

BEARING INFORMATION	
DE Bearing	6311Z
ODE Bearing	6310Z
Grease Type	Mobil Polyrex EM
DE Regreasing Interval	2400 Hours
ODE Regreasing Interval	3600 Hours
Grease Quantity	17g/15g

ADDITIONAL DATA	
F2 Suitable	Yes
Shaft Material	AISI 1045
Connection Diagram	6 Lead Delta
Approximate Weight	300 lbs.

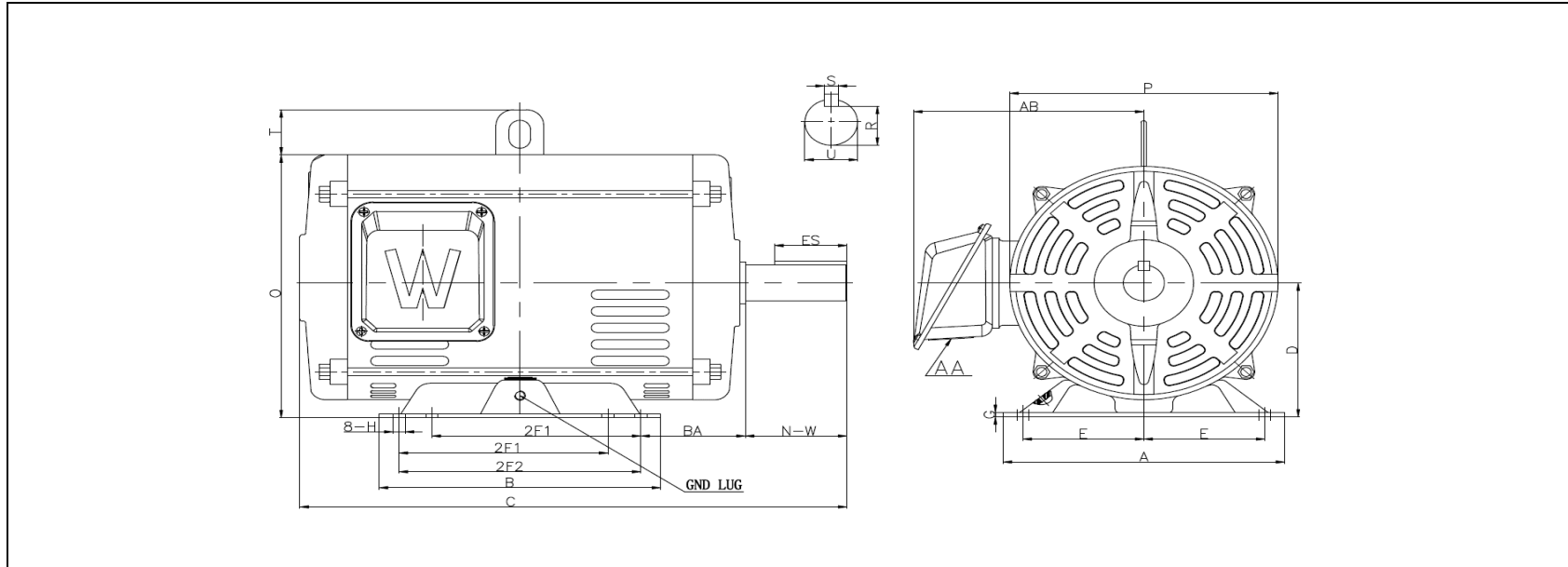
# MOTOR DRAWING

Premium Efficiency Motor: **ODP25-18-200-284T**

WorldWide Electric Corporation

1 (800) 808-2131

Worldwideelectric.net



## DIMENSION - INCHES

MOUNTING					A	B	C	D	G	P	O	T	AB
E	2F1	2F2	H	BA									
5.5	9.5	11	0.53	4.75	12.8	12.8	25	7	0.24	12.2	13.1	2.36	11.1

SHAFT & KEY				
S	ES	R	N-W	U
0.5	3.28	1.591	4.62	1.875

T-BOX	GND LUG
AA	M6*P1.0
2	

# PERFORMANCE CURVES

WorldWide Electric Corporation

1 (800) 808-2131

Worldwideelectric.net



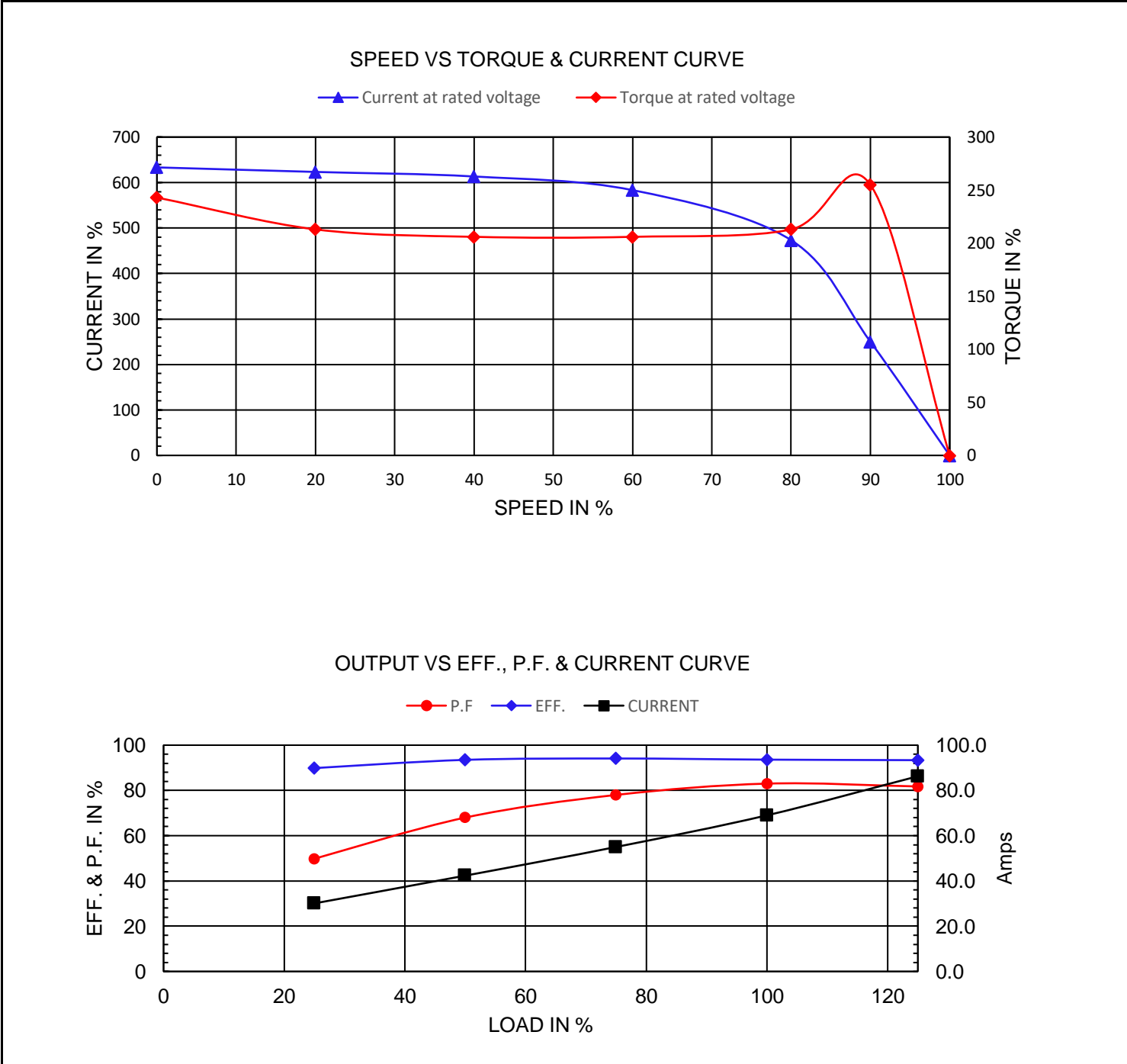
Premium Efficiency Motor:

**ODP25-18-200-284T**

Document Generated: 12-Dec-2023  
Document ID:

Customer:

Motor Type	PEWWE		FL Speed	1776		
Output Rating (HP)	25		LRT (%FLT)	243	200 volt FLA	69
Full Load Torque	73.2	lb.ft	BDT (%FLT)	255		
Rotor Wk <sup>2</sup>	3.183	lb-ft <sup>2</sup>				



# NAMEPLATE / WIRING

WorldWide Electric Corporation

1 (800) 808-2131

Worldwideelectric.net



Premium Efficiency Motor: **ODP25-18-200-284T**

Document Generated: 12-Dec-2023  
Document ID:

Customer:

## SAMPLE NAMEPLATE DATA

		<b>OPEN DRIP PROOF 3 PHASE MOTOR</b>									
Model :		Encl :		SN :							
HP :	Poles :	FR :	Ins : F	IP 23	Max Amb 40°C	Duty:Cont					
Hz :				CODE:		Design :					
Volts :				P.F. :		DE BRG :					
Amps :				Eff :		ODE BRG :					
RPM :				S.F. :		WT :					
						Date :					
<b>WorldWide Electric Corporation</b>											

<b>Model</b>	ODP25-18-200-284T	<b>Encl</b>	ODP			
<b>HP:</b>	25	<b>Poles:</b>	4	<b>FR:</b>	284/6T	<b>Ins:</b> F
<b>Hz:</b>	60	<b>Code:</b>	G	<b>Design</b>	B	
<b>Volts:</b>	200	<b>P.F.:</b>	0.83	<b>DE BRG:</b>	6311Z	
<b>Amps</b>	69	<b>Eff:</b>	93.6%	<b>ODE BRG:</b>	6310Z	
<b>RPM</b>	1776	<b>S.F. :</b>	1.15	<b>WT:</b>	300 lbs.	