

DATA SHEET

Premium Efficiency Motor: **ODP25-36-256TC,**

60 Hz

WorldWide Electric Corporation

1 (800) 808-2131

Worldwideelectric.net



Document Generated: 11-Dec-2023
Document ID:

Customer:

MOTOR INFORMATION	
HP	25
RPM	3600
Phase	3
Frequency	60
Voltage	230/460
Frame Size	254/6TC
Enclosure	ODP
Degree of Protection	IP23
Service Factor	1.15
Poles	2
Full Load Speed	3516
Insulation Class	F
Temp Rise	80°C
NEMA Code Letter	G
Duty Cycle	S1 / Continuous
Slip	2.34%
NEMA Design	B
Moment of Inertia	1.515 lb.ft.^2
Locked Rotor Time (Hot)	12 seconds
Sound Pressure Level	72 dB(A)
Number of Starts	2 Cold / 1 Hot
Max Ambient Temperature	40°C
Max Elevation	1000 m.a.s.l (3300 f.a.s.l)
Mounting	F1
Rotation	Bi-Directional
Area of Classification	Safe Area
Inverter Rating	10:1 CT / 20:1 VT
Standard	NEMA MG 1
Approvals	UL, CE

EFFICIENCY/POWER FACTOR		
LOAD	EFF	P. F.
100%	91.7 %	0.93
75%	93.7 %	0.92
50%	94.0 %	0.9

TORQUE		
FULL LOAD	LRT	BDT
37.02 lb.ft.	331 %	407 %

AMPERAGE INFORMATION		
	230V	460V
Full Load Amps	54A	27A
Locked Rotor Amps	366.6A	183.3A
No Load Current	8.4A	4.2A
Usable at 208V	29.86A	

BEARING INFORMATION	
DE Bearing	6309Z
ODE Bearing	6307Z
Grease Type	Mobil Polyrex EM
DE Regreasing Interval	2400 Hours
ODE Regreasing Interval	3600 Hours
Grease Quantity	13g/8g

ADDITIONAL DATA	
F2 Suitable	Yes
Shaft Material	AISI 1045
Connection Diagram	12 Lead Delta
Approximate Weight	270 lbs.

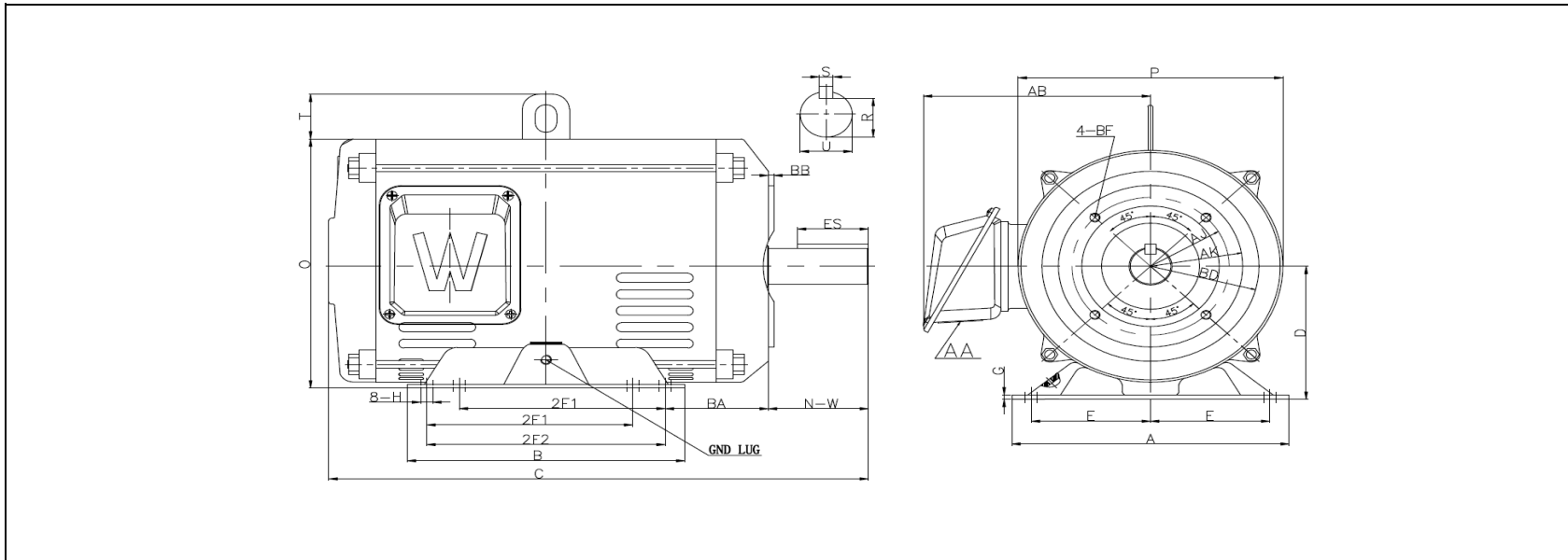
MOTOR DRAWING

Premium Efficiency Motor: **ODP25-36-256TC**

WorldWide Electric Corporation

1 (800) 808-2131

Worldwideelectric.net



DIMENSION - INCHES

MOUNTING					A	B	C	D	G	P	O	T	AB
E	2F1	2F2	H	BA									
5	8.25	10	0.53	4.25	12.05	11.57	22.3	6.25	0.236	10.63	11.6	2.48	9.7

SHAFT & KEY				
S	ES	R	N-W	U
0.375	2.91	1.416	4	1.625

T-BOX	GND LUG
AA	M6*P1.0
1.38	

FLANGE				
AK	BD	AJ	BF	BB
8.5	10	7.25	4*1/2-13 UNC	0.25

PERFORMANCE CURVES

WorldWide Electric Corporation

1 (800) 808-2131

Worldwideelectric.net



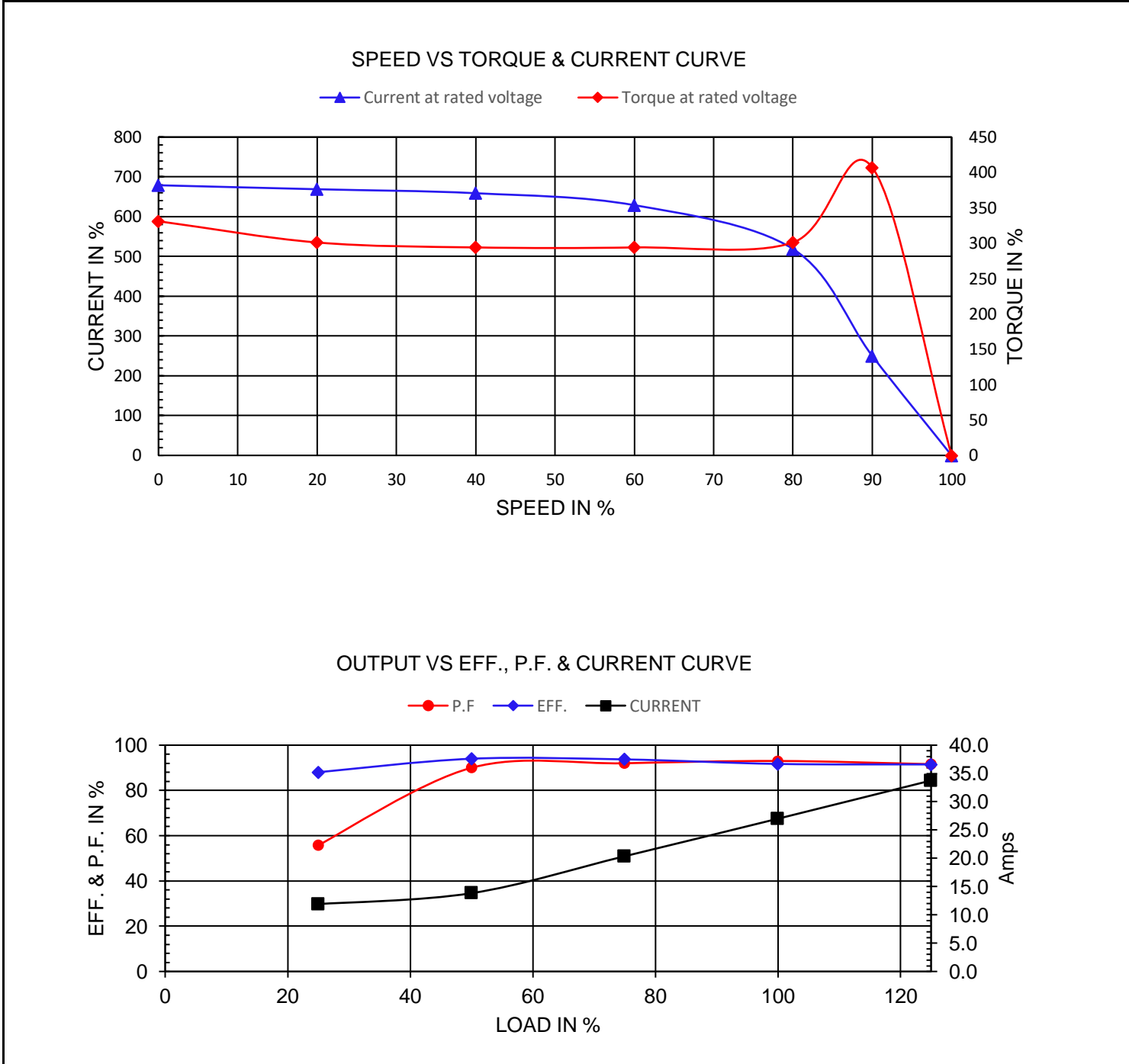
Premium Efficiency Motor:

ODP25-36-256TC

Document Generated: 11-Dec-2023
Document ID:

Customer:

Motor Type	ODP				
Output Rating (HP)	25	FL Speed	3516	460 volt FLA	27
Full Load Torque	37.02 lb.ft	LRT (%FLT)	331	230 volt FLA	54
Rotor Wk ²	0.917 lb-ft ²	BDT (%FLT)	407		



NAMEPLATE / WIRING

WorldWide Electric Corporation

1 (800) 808-2131

Worldwideelectric.net



Premium Efficiency Motor: **ODP25-36-256TC**

Document Generated: 11-Dec-2023
Document ID:

Customer:

SAMPLE NAMEPLATE DATA

		OPEN DRIP PROOF 3 PHASE MOTOR						
Model :		Encl : ODP		SN :				
HP :	Poles :	FR :	Ins : F	IP 23	Max Amb 40°C	Duty:Cont		
Hz: 60	CODE:		Hz: 50	Design: B		L1 L2 L3		
Volts: 230/460	P.F.:		Volts: 190/380	DE BRG:		230 V		
Amps:	Eff: %		Amps:	ODE BRG:				
RPM :	S.F. : 1.15		RPM :	WT: LBS	Date:			
WorldWide Electric Corporation							460 V	

Model: ODP25-36-256TC		Encl: ODP					
HP: 25	Poles: 2	Frame 254/6TC	Ins Cl: F	IP IP23			
Hz: 60	Code: G	Hz: 50	Design: B				
Volts: 230/460	P.F.: 0.93	Volts: 190/380	DE Brg: 6309Z				
Amps: 54/27	Eff: 91.7%	Amps: 64.8/32.4	ODE Brg: 6307Z				
RPM: 3516	S.F.: 1.15	RPM: 2885	WT: 270 lbs.				
		S.F.: 1.0					