

DATA SHEET

Premium Efficiency Motor: **ODP3-12-213T**,

60 Hz

WorldWide Electric Corporation

1 (800) 808-2131

Worldwideelectric.net



Document Generated: 8-Dec-2023
Document ID:

Customer:

MOTOR INFORMATION	
HP	3
RPM	1200
Phase	3
Frequency	60
Voltage	230/460
Frame Size	213/5T
Enclosure	ODP
Degree of Protection	IP23
Service Factor	1.15
Poles	6
Full Load Speed	1174
Insulation Class	F
Temp Rise	80°C
NEMA Code Letter	K
Duty Cycle	S1 / Continuous
Slip	2.16%
NEMA Design	B
Moment of Inertia	0.802 lb.ft.^2
Locked Rotor Time (Hot)	12 seconds
Sound Pressure Level	62 dB(A)
Number of Starts	2 Cold / 1 Hot
Max Ambient Temperature	40°C
Max Elevation	1000 m.a.s.l (3300 f.a.s.l)
Mounting	F1
Rotation	Bi-Directional
Area of Classification	Safe Area
Inverter Rating	10:1 CT / 20:1 VT
Standard	NEMA MG 1
Approvals	UL, CE

EFFICIENCY/POWER FACTOR		
LOAD	EFF	P. F.
100%	88.5 %	0.72
75%	90.2 %	0.64
50%	88.7 %	0.51

TORQUE		
FULL LOAD	LRT	BDT
13.16 lb.ft.	290 %	378 %

AMPERAGE INFORMATION		
	230V	460V
Full Load Amps	8.6A	4.3A
Locked Rotor Amps	65.8A	32.9A
No Load Current	5A	2.5A
Usable at 208V	4.75A	

BEARING INFORMATION	
DE Bearing	6308ZZ
ODE Bearing	6306ZZ
Grease Type	NSK SN7
DE Regreasing Interval	-- Hours
ODE Regreasing Interval	-- Hours
Grease Quantity	--

ADDITIONAL DATA	
F2 Suitable	No
Shaft Material	AISI 1045
Connection Diagram	9 Lead Wye
Approximate Weight	120 lbs.

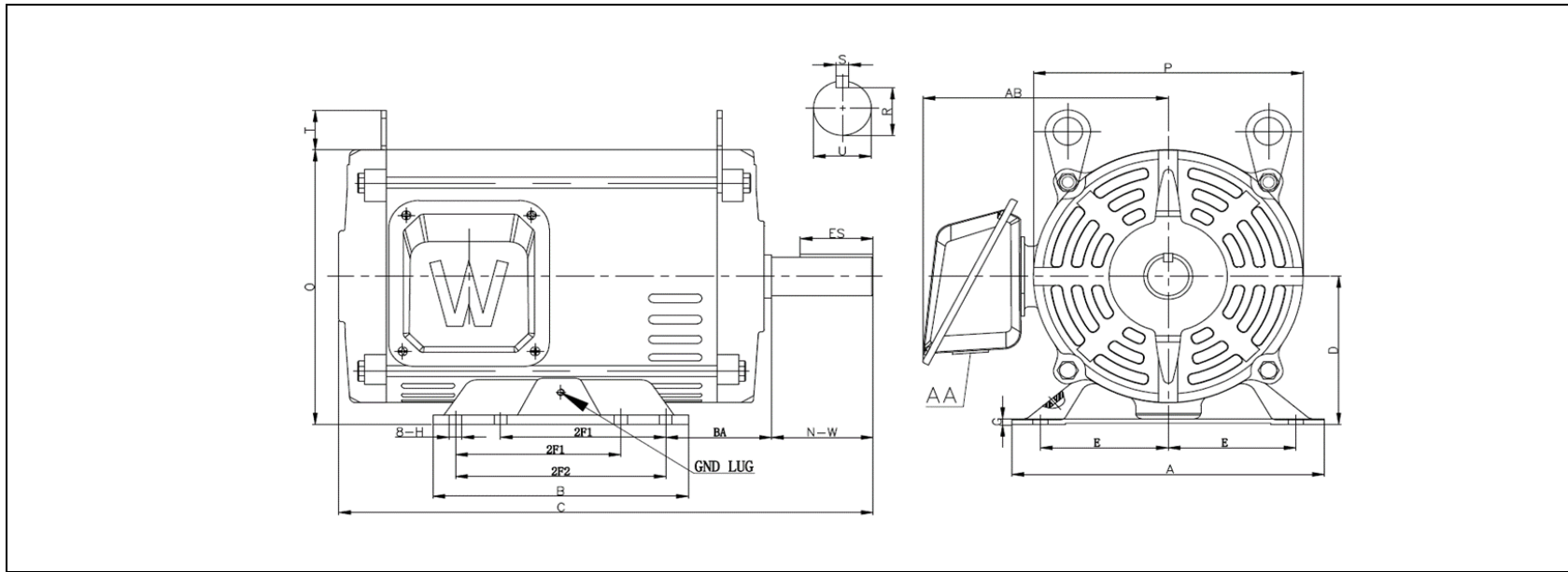
MOTOR DRAWING

Premium Efficiency Motor: **ODP3-12-213T**

WorldWide Electric Corporation

1 (800) 808-2131

Worldwideelectric.net



DIMENSION - INCHES

MOUNTING					A	B	C	D	G	P	O	T	AB
E	2F1	2F2	H	BA									
4.25	5.5	7	0.43	3.5	9.69	8.19	17.8	5.25	0.16	9.4	9.8	1.5	8.16

SHAFT & KEY				
S	ES	R	N-W	U
0.31	2.41	1.201	3.38	1.375

T-BOX	GND LUG
AA	M6*P1.0
1.38	

PERFORMANCE CURVES

WorldWide Electric Corporation

1 (800) 808-2131

Worldwideelectric.net

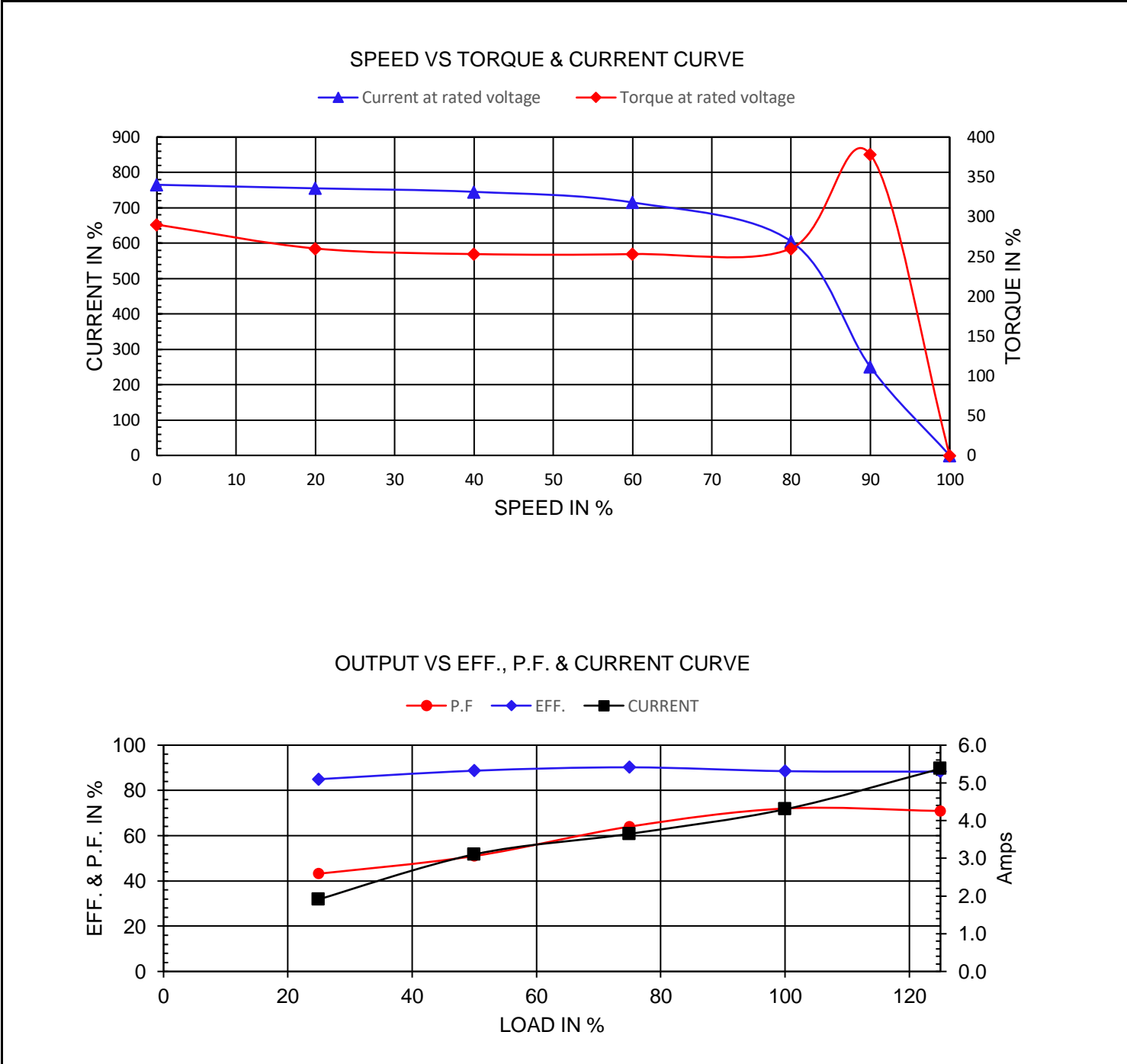


Premium Efficiency Motor:

ODP3-12-213T

Document Generated: 8-Dec-2023	Customer:
Document ID:	

Motor Type	ODP		FL Speed	1174	
Output Rating (HP)	3		LRT (%FLT)	290	460 volt FLA 4.3
Full Load Torque	13.16 lb.ft		BDT (%FLT)	378	230 volt FLA 8.6
Rotor Wk ²	0.885 lb-ft ²				



NAMEPLATE / WIRING

WorldWide Electric Corporation

1 (800) 808-2131

Worldwideelectric.net



Premium Efficiency Motor: **ODP3-12-213T**

Document Generated: 8-Dec-2023
Document ID:

Customer:

SAMPLE NAMEPLATE DATA

		OPEN DRIP PROOF 3 PHASE MOTOR						
Model :		Encl : ODP		SN :			4 5 6 	
HP :	Poles :	FR :	Ins : F	IP 23	Max Amb 40°C	Duty : Cont		7 8 9 1 2 3 L1 L2 L3 230 V
Hz : 60	CODE :		Hz : 50	Design : B		ODE BRG :		4 5 6 7 8 9 1 2 3 L1 L2 L3 460 V
Volts : 230/460	P.F. :		Volts : 190/380	DE BRG :		WT : LBS		
Amps :	Eff. %		Amps :	Date :				
RPM :	S.F. : 1.15		RPM :					
WorldWide Electric Corporation								

Model: ODP3-12-213T		Encl: ODP			
HP: 3	Poles: 6	Frame 213/5T	Ins Cl: F	IP IP23	
Hz: 60	Code: K	Hz: 50	Design: B		
Volts: 230/460	P.F.: 0.72	Volts: 190/380	DE Brg: 6308ZZ		
Amps: 8.6/4.3	Eff: 88.5%	Amps: 9.8/4.9	ODE Brg: 6306ZZ		
RPM: 1174	S.F.: 1.15	RPM: 966	WT: 120 lbs.		
		S.F.: 1.0			