

DATA SHEET

Premium Efficiency Motor: **ODP3-18-200-182T,**

60 Hz

WorldWide Electric Corporation

1 (800) 808-2131

Worldwideelectric.net



Document Generated: 12-Dec-2023
Document ID:

Customer:

MOTOR INFORMATION	
HP	3
RPM	1800
Phase	3
Frequency	60
Voltage	200
Frame Size	182/4T
Enclosure	ODP
Degree of Protection	IP23
Service Factor	1.15
Poles	4
Full Load Speed	1753
Insulation Class	F
Temp Rise	80°C
NEMA Code Letter	K
Duty Cycle	S1 / Continuous
Slip	2.59%
NEMA Design	B
Moment of Inertia	0.337 lb.ft.^2
Locked Rotor Time (Hot)	12 seconds
Sound Pressure Level	60 dB(A)
Number of Starts	2 Cold / 1 Hot
Max Ambient Temperature	40°C
Max Elevation	1000 m.a.s.l (3300 f.a.s.l)
Mounting	F1
Rotation	Bi-Directional
Area of Classification	Safe Area
Inverter Rating	10:1 CT / 20:1 VT
Standard	NEMA MG 1
Approvals	UL, CE

EFFICIENCY/POWER FACTOR		
LOAD	EFF	P. F.
100%	89.5 %	0.8
75%	89.6 %	0.73
50%	88.1 %	0.62

TORQUE		
FULL LOAD	LRT	BDT
8.8 lb.ft.	345 %	360 %

AMPERAGE INFORMATION	
	200V
Full Load Amps	8.97
Locked Rotor Amps	73.186A
No Load Current	4.301A

BEARING INFORMATION	
DE Bearing	6306ZZ
ODE Bearing	6305ZZ
Grease Type	NSK SN7
DE Regreasing Interval	-- Hours
ODE Regreasing Interval	-- Hours
Grease Quantity	--

ADDITIONAL DATA	
F2 Suitable	No
Shaft Material	AISI 1045
Connection Diagram	6 Lead Delta
Approximate Weight	68.3 lbs.

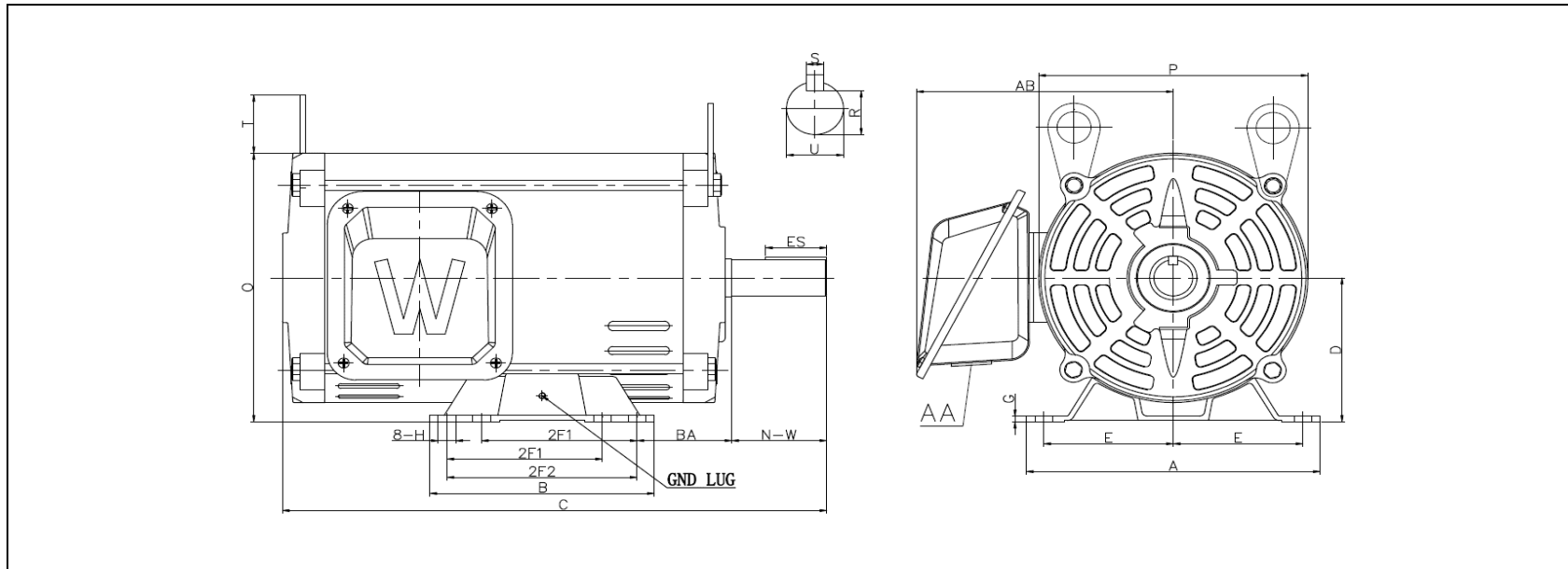
MOTOR DRAWING

Premium Efficiency Motor: **ODP3-18-200-182T**

WorldWide Electric Corporation

1 (800) 808-2131

Worldwideelectric.net



DIMENSION - INCHES

MOUNTING					A	B	C	D	G	P	O	T	AB
E	2F1	2F2	H	BA									
3.75	4.5	5.5	0.41	2.75	8.5	6.495	16.4	4.5	0.41	7.72	8.36	1.6	7.55

SHAFT & KEY				
S	ES	R	N-W	U
0.25	1.78	0.986	2.75	1.125

T-BOX	GND LUG
AA	M5*P0.8
1.09	

PERFORMANCE CURVES

Premium Efficiency Motor:

ODP3-18-200-182T

WorldWide Electric Corporation

1 (800) 808-2131

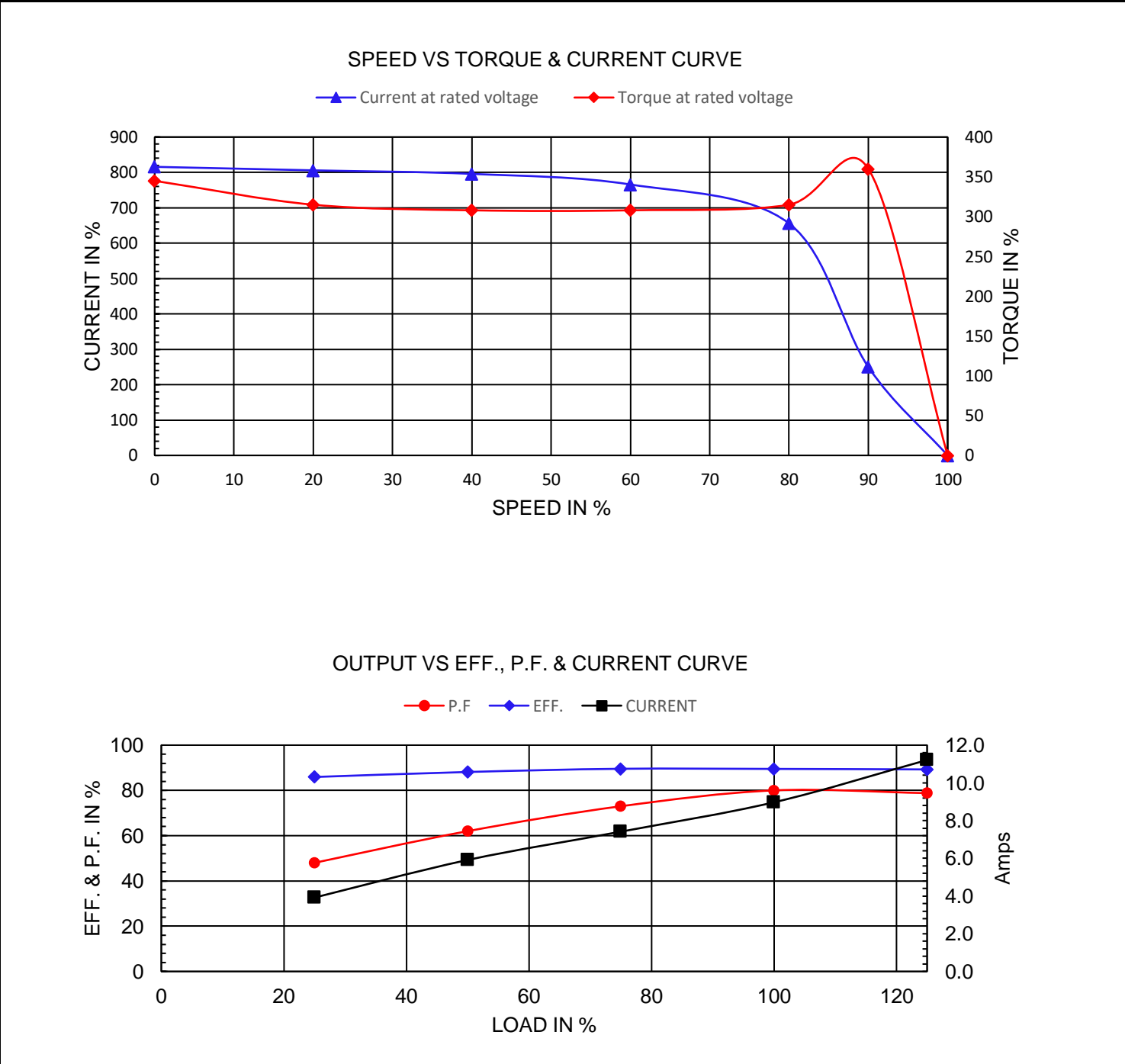
Worldwideelectric.net



Document Generated: 12-Dec-2023
Document ID:

Customer:

Motor Type	PEWWE				
Output Rating (HP)	3	FL Speed	1753		
Full Load Torque	8.8 lb.ft	LRT (%FLT)	345	200 volt FLA	8.97
Rotor Wk ²	0.337 lb-ft ²	BDT (%FLT)	360		



NAMEPLATE / WIRING

WorldWide Electric Corporation

1 (800) 808-2131

Worldwideelectric.net



Premium Efficiency Motor: **ODP3-18-200-182T**

Document Generated: 12-Dec-2023
Document ID:

Customer:

SAMPLE NAMEPLATE DATA

		OPEN DRIP PROOF 3 PHASE MOTOR									
Model :		Encl :		SN :							
HP :	Poles :	FR :	Ins : F	IP 23	Max Amb 40°C	Duty:Cont					
Hz :				CODE:		Design :					
Volts :				P.F. :		DE BRG :					
Amps :				Eff :		ODE BRG :					
RPM :				S.F. :		WT :					
						Date :					
WorldWide Electric Corporation											

Model	ODP3-18-200-182T	Encl	ODP		
HP:	3	Poles:	4	FR:	182/4T
Hz:	60	Code:	K	Design	B
Volts:	200	P.F.:	0.8	DE BRG:	6306ZZ
Amps	8.97	Eff:	89.5%	ODE BRG:	6305ZZ
RPM	1753	S.F. :	1.15	WT:	68.3 lbs.
				Ins:	F