

# DATA SHEET

Premium Efficiency Motor: **ODP3-36-200-145T,**

**60 Hz**

WorldWide Electric Corporation

1 (800) 808-2131

Worldwideelectric.net



Document Generated: 12-Dec-2023  
Document ID:

Customer:

| MOTOR INFORMATION       |                             |
|-------------------------|-----------------------------|
| HP                      | 3                           |
| RPM                     | 3600                        |
| Phase                   | 3                           |
| Frequency               | 60                          |
| Voltage                 | 200                         |
| Frame Size              | 143/5T                      |
| Enclosure               | ODP                         |
| Degree of Protection    | IP23                        |
| Service Factor          | 1.15                        |
| Poles                   | 2                           |
| Full Load Speed         | 3441                        |
| Insulation Class        | F                           |
| Temp Rise               | 80°C                        |
| NEMA Code Letter        | K                           |
| Duty Cycle              | S1 / Continuous             |
| Slip                    | 4.41%                       |
| NEMA Design             | B                           |
| Moment of Inertia       | 0.108 lb.ft.^2              |
| Locked Rotor Time (Hot) | 12 seconds                  |
| Sound Pressure Level    | 66 dB(A)                    |
| Number of Starts        | 2 Cold / 1 Hot              |
| Max Ambient Temperature | 40°C                        |
| Max Elevation           | 1000 m.a.s.l (3300 f.a.s.l) |
| Mounting                | F1                          |
| Rotation                | Bi-Directional              |
| Area of Classification  | Safe Area                   |
| Inverter Rating         | 10:1 CT / 20:1 VT           |
| Standard                | NEMA MG 1                   |
| Approvals               | UL, CE                      |

| EFFICIENCY/POWER FACTOR |        |       |
|-------------------------|--------|-------|
| LOAD                    | EFF    | P. F. |
| 100%                    | 85.5 % | 0.86  |
| 75%                     | 87.7 % | 0.81  |
| 50%                     | 87.7 % | 0.7   |

| TORQUE     |       |       |
|------------|-------|-------|
| FULL LOAD  | LRT   | BDT   |
| 4.5 lb.ft. | 402 % | 495 % |

| AMPERAGE INFORMATION |         |
|----------------------|---------|
|                      | 200V    |
| Full Load Amps       | 8.51    |
| Locked Rotor Amps    | 72.749A |
| No Load Current      | 3.473A  |

| BEARING INFORMATION     |          |
|-------------------------|----------|
| DE Bearing              | 6205ZZ   |
| ODE Bearing             | 6204ZZ   |
| Grease Type             | NSK SN7  |
| DE Regreasing Interval  | -- Hours |
| ODE Regreasing Interval | -- Hours |
| Grease Quantity         | --       |

| ADDITIONAL DATA    |              |
|--------------------|--------------|
| F2 Suitable        | No           |
| Shaft Material     | AISI 1045    |
| Connection Diagram | 6 Lead Delta |
| Approximate Weight | 39.7 lbs.    |

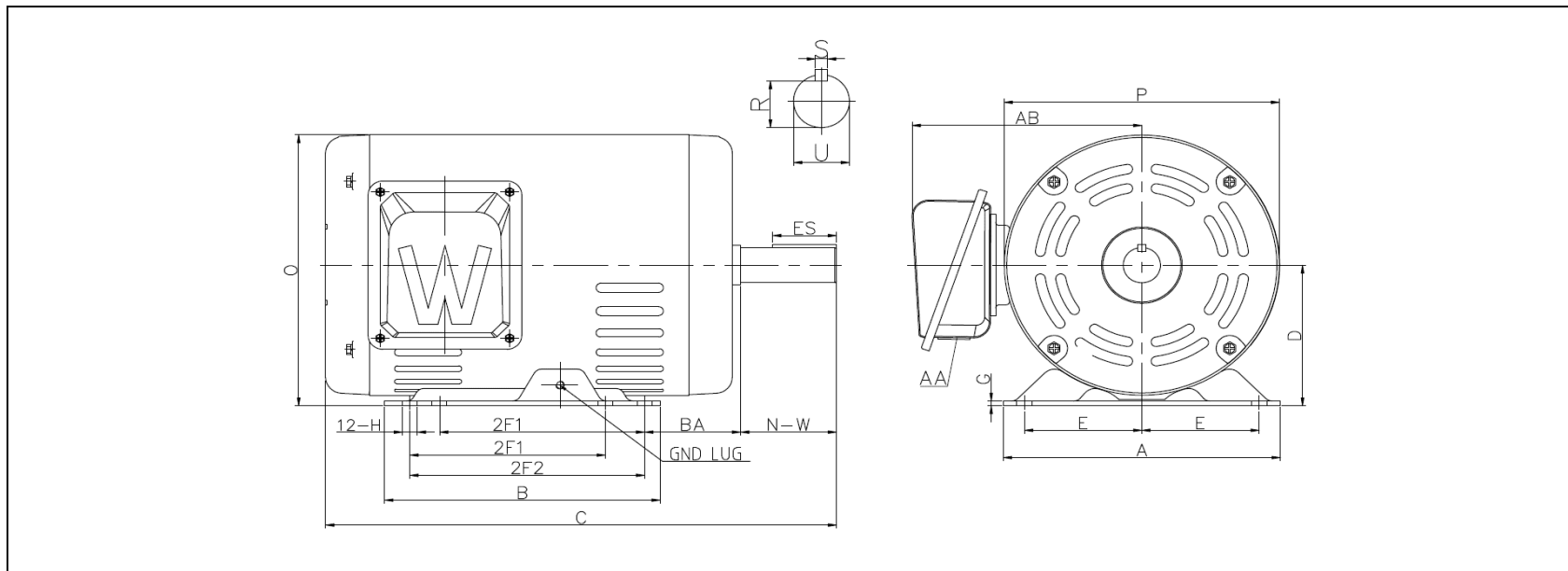
# MOTOR DRAWING

Premium Efficiency Motor: **ODP3-36-200-145T**

WorldWide Electric Corporation

1 (800) 808-2131

Worldwideelectric.net



## DIMENSION - INCHES

| MOUNTING |     |     |      |      | A   | B   | C      | D   | G     | P   | O    | T  | AB    |
|----------|-----|-----|------|------|-----|-----|--------|-----|-------|-----|------|----|-------|
| E        | 2F1 | 2F2 | H    | BA   |     |     |        |     |       |     |      |    |       |
| 2.75     | 4   | 5   | 0.34 | 2.25 | 6.5 | 6.5 | 11.974 | 3.5 | 0.118 | 6.5 | 6.73 | -- | 5.384 |

| SHAFT & KEY |      |       |      |       |
|-------------|------|-------|------|-------|
| S           | ES   | R     | N-W  | U     |
| 0.188       | 1.41 | 0.771 | 2.25 | 0.875 |

| T-BOX | GND LUG |
|-------|---------|
| AA    |         |
| 1.09  | M5*P0.8 |

# PERFORMANCE CURVES

WorldWide Electric Corporation

1 (800) 808-2131

Worldwideelectric.net

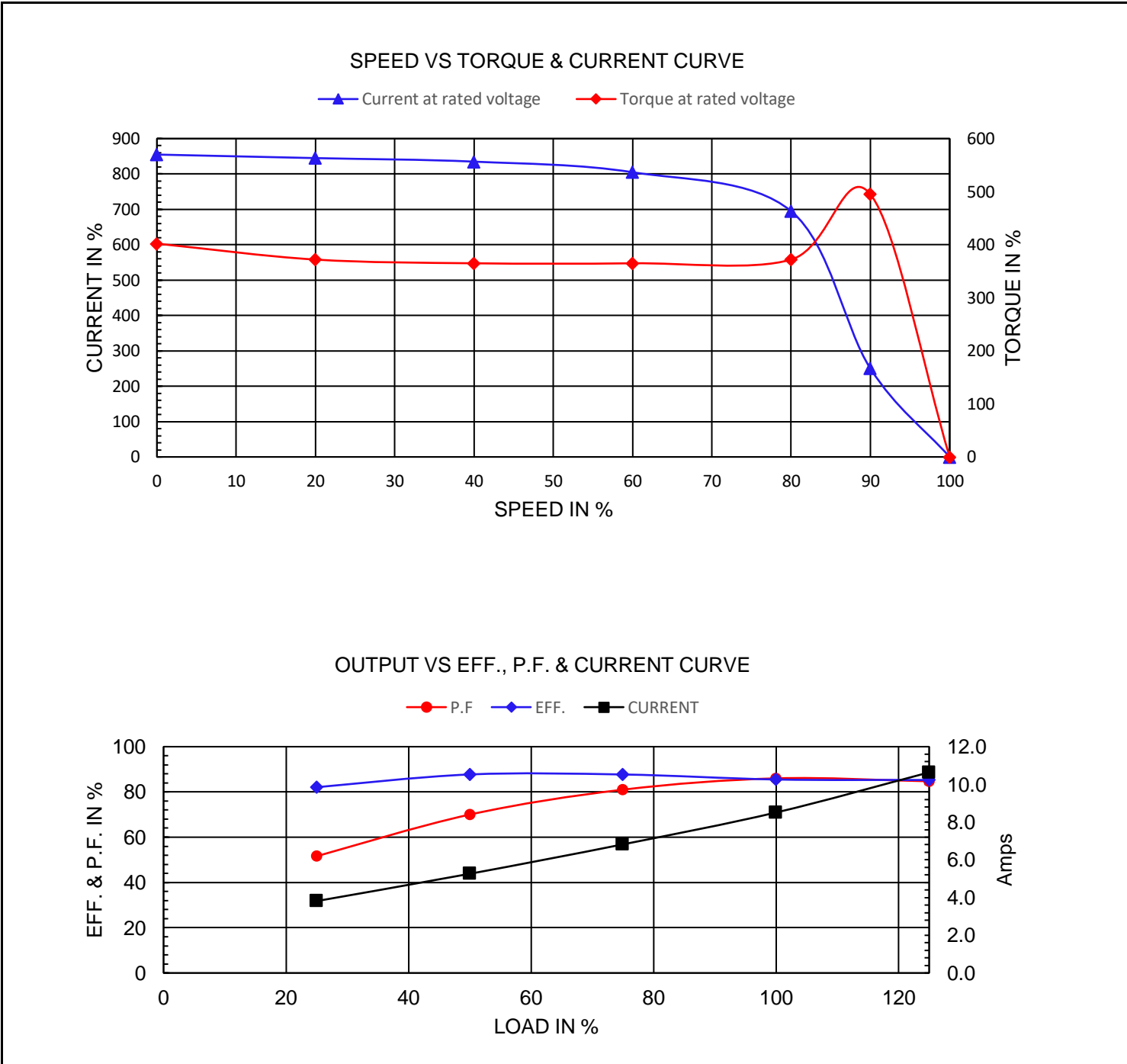


Premium Efficiency Motor:

**ODP3-36-200-145T**

|                                 |           |
|---------------------------------|-----------|
| Document Generated: 12-Dec-2023 | Customer: |
| Document ID:                    |           |

|                       |                          |  |            |      |                   |
|-----------------------|--------------------------|--|------------|------|-------------------|
| Motor Type            | PEWWE                    |  |            |      |                   |
| Output Rating (HP)    | 3                        |  | FL Speed   | 3441 |                   |
| Full Load Torque      | 4.5 lb.ft                |  | LRT (%FLT) | 402  | 200 volt FLA 8.51 |
| Rotor Wk <sup>2</sup> | 0.108 lb-ft <sup>2</sup> |  | BDT (%FLT) | 495  |                   |



# NAMEPLATE / WIRING

WorldWide Electric Corporation

1 (800) 808-2131

Worldwideelectric.net



Premium Efficiency Motor: **ODP3-36-200-145T**

Document Generated: 12-Dec-2023  
Document ID:

Customer:

## SAMPLE NAMEPLATE DATA

|                                       |  |                                          |  |               |  |              |  |                  |  |                     |  |                    |  |
|---------------------------------------|--|------------------------------------------|--|---------------|--|--------------|--|------------------|--|---------------------|--|--------------------|--|
|                                       |  | <b>OPEN DRIP PROOF<br/>3 PHASE MOTOR</b> |  |               |  |              |  |                  |  |                     |  |                    |  |
| <b>Model :</b>                        |  | <b>Encl :</b>                            |  | <b>SN :</b>   |  |              |  |                  |  |                     |  |                    |  |
| <b>HP :</b>                           |  | <b>Poles :</b>                           |  | <b>FR :</b>   |  | <b>Ins :</b> |  | <b>IP 23</b>     |  | <b>Max Amb 40°C</b> |  | <b>Duty : Cont</b> |  |
| <b>Hz :</b>                           |  |                                          |  | <b>CODE :</b> |  |              |  | <b>Design :</b>  |  |                     |  |                    |  |
| <b>Volts :</b>                        |  |                                          |  | <b>P.F. :</b> |  |              |  | <b>DE BRG :</b>  |  |                     |  |                    |  |
| <b>Amps :</b>                         |  |                                          |  | <b>Eff :</b>  |  |              |  | <b>ODE BRG :</b> |  |                     |  |                    |  |
| <b>RPM :</b>                          |  |                                          |  | <b>S.F. :</b> |  |              |  | <b>WT :</b>      |  |                     |  |                    |  |
|                                       |  |                                          |  |               |  |              |  | <b>Date :</b>    |  |                     |  |                    |  |
| <b>WorldWide Electric Corporation</b> |  |                                          |  |               |  |              |  |                  |  |                     |  |                    |  |

|               |                  |               |       |                 |           |
|---------------|------------------|---------------|-------|-----------------|-----------|
| <b>Model</b>  | ODP3-36-200-145T | <b>Encl</b>   | ODP   |                 |           |
| <b>HP:</b>    | 3                | <b>Poles:</b> | 2     | <b>FR:</b>      | 143/5T    |
| <b>Hz:</b>    | 60               | <b>Code:</b>  | K     | <b>Design</b>   | B         |
| <b>Volts:</b> | 200              | <b>P.F.:</b>  | 0.86  | <b>DE BRG:</b>  | 6205ZZ    |
| <b>Amps</b>   | 8.51             | <b>Eff:</b>   | 85.5% | <b>ODE BRG:</b> | 6204ZZ    |
| <b>RPM</b>    | 3441             | <b>S.F. :</b> | 1.15  | <b>WT:</b>      | 39.7 lbs. |
|               |                  |               |       | <b>Ins:</b>     | F         |