

# DATA SHEET

Premium Efficiency Motor: **ODP30-18-200-286T,**

**60 Hz**

WorldWide Electric Corporation

1 (800) 808-2131

Worldwideelectric.net



Document Generated: 12-Dec-2023  
Document ID:

Customer:

| MOTOR INFORMATION       |                             |
|-------------------------|-----------------------------|
| HP                      | 30                          |
| RPM                     | 1800                        |
| Phase                   | 3                           |
| Frequency               | 60                          |
| Voltage                 | 200                         |
| Frame Size              | 284/6T                      |
| Enclosure               | ODP                         |
| Degree of Protection    | IP23                        |
| Service Factor          | 1.15                        |
| Poles                   | 4                           |
| Full Load Speed         | 1775                        |
| Insulation Class        | F                           |
| Temp Rise               | 80°C                        |
| NEMA Code Letter        | G                           |
| Duty Cycle              | S1 / Continuous             |
| Slip                    | 1.40%                       |
| NEMA Design             | B                           |
| Moment of Inertia       | 3.688 lb.ft.^2              |
| Locked Rotor Time (Hot) | 12 seconds                  |
| Sound Pressure Level    | 72 dB(A)                    |
| Number of Starts        | 2 Cold / 1 Hot              |
| Max Ambient Temperature | 40°C                        |
| Max Elevation           | 1000 m.a.s.l (3300 f.a.s.l) |
| Mounting                | F1                          |
| Rotation                | Bi-Directional              |
| Area of Classification  | Safe Area                   |
| Inverter Rating         | 10:1 CT / 20:1 VT           |
| Standard                | NEMA MG 1                   |
| Approvals               | UL, CE                      |

| EFFICIENCY/POWER FACTOR |        |       |
|-------------------------|--------|-------|
| LOAD                    | EFF    | P. F. |
| 100%                    | 94.1 % | 0.84  |
| 75%                     | 94.4 % | 0.80  |
| 50%                     | 94.0 % | 0.72  |

| TORQUE       |       |       |
|--------------|-------|-------|
| FULL LOAD    | LRT   | BDT   |
| 87.47 lb.ft. | 289 % | 333 % |

| AMPERAGE INFORMATION |         |
|----------------------|---------|
|                      | 200V    |
| Full Load Amps       | 80.73   |
| Locked Rotor Amps    | 497.95A |
| No Load Current      | 28.52A  |

| BEARING INFORMATION     |                  |
|-------------------------|------------------|
| DE Bearing              | 6311Z            |
| ODE Bearing             | 6310Z            |
| Grease Type             | Mobil Polyrex EM |
| DE Regreasing Interval  | 2400 Hours       |
| ODE Regreasing Interval | 3600 Hours       |
| Grease Quantity         | 17g/15g          |

| ADDITIONAL DATA    |              |
|--------------------|--------------|
| F2 Suitable        | Yes          |
| Shaft Material     | AISI 1045    |
| Connection Diagram | 6 Lead Delta |
| Approximate Weight | 330 lbs.     |

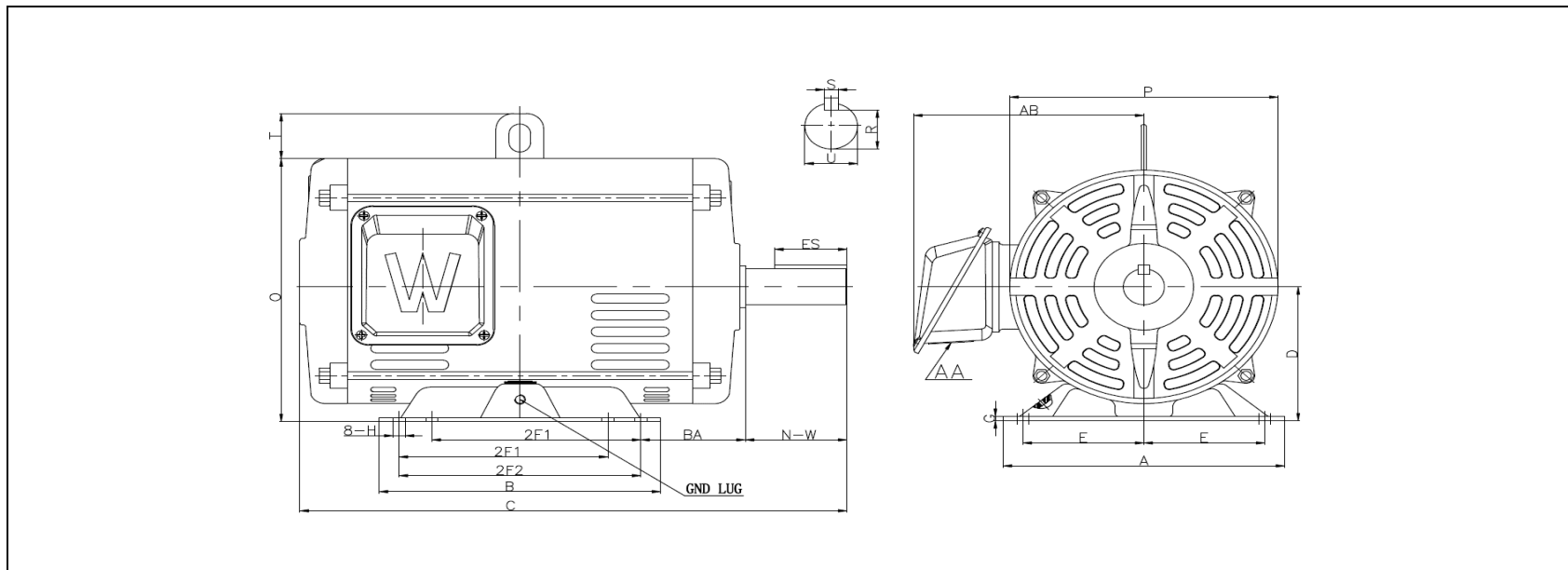
# MOTOR DRAWING

Premium Efficiency Motor: **ODP30-18-200-286T**

WorldWide Electric Corporation

1 (800) 808-2131

Worldwideelectric.net



## DIMENSION - INCHES

| MOUNTING |     |     |      |      | A    | B    | C  | D | G    | P    | O    | T    | AB   |
|----------|-----|-----|------|------|------|------|----|---|------|------|------|------|------|
| E        | 2F1 | 2F2 | H    | BA   |      |      |    |   |      |      |      |      |      |
| 5.5      | 9.5 | 11  | 0.53 | 4.75 | 12.8 | 12.8 | 25 | 7 | 0.24 | 12.2 | 13.1 | 2.36 | 11.1 |

| SHAFT & KEY |      |       |      |       |
|-------------|------|-------|------|-------|
| S           | ES   | R     | N-W  | U     |
| 0.5         | 3.28 | 1.591 | 4.62 | 1.875 |

| T-BOX | GND LUG |
|-------|---------|
| AA    | M6*P1.0 |
| 2     |         |

# PERFORMANCE CURVES

WorldWide Electric Corporation

1 (800) 808-2131

Worldwideelectric.net



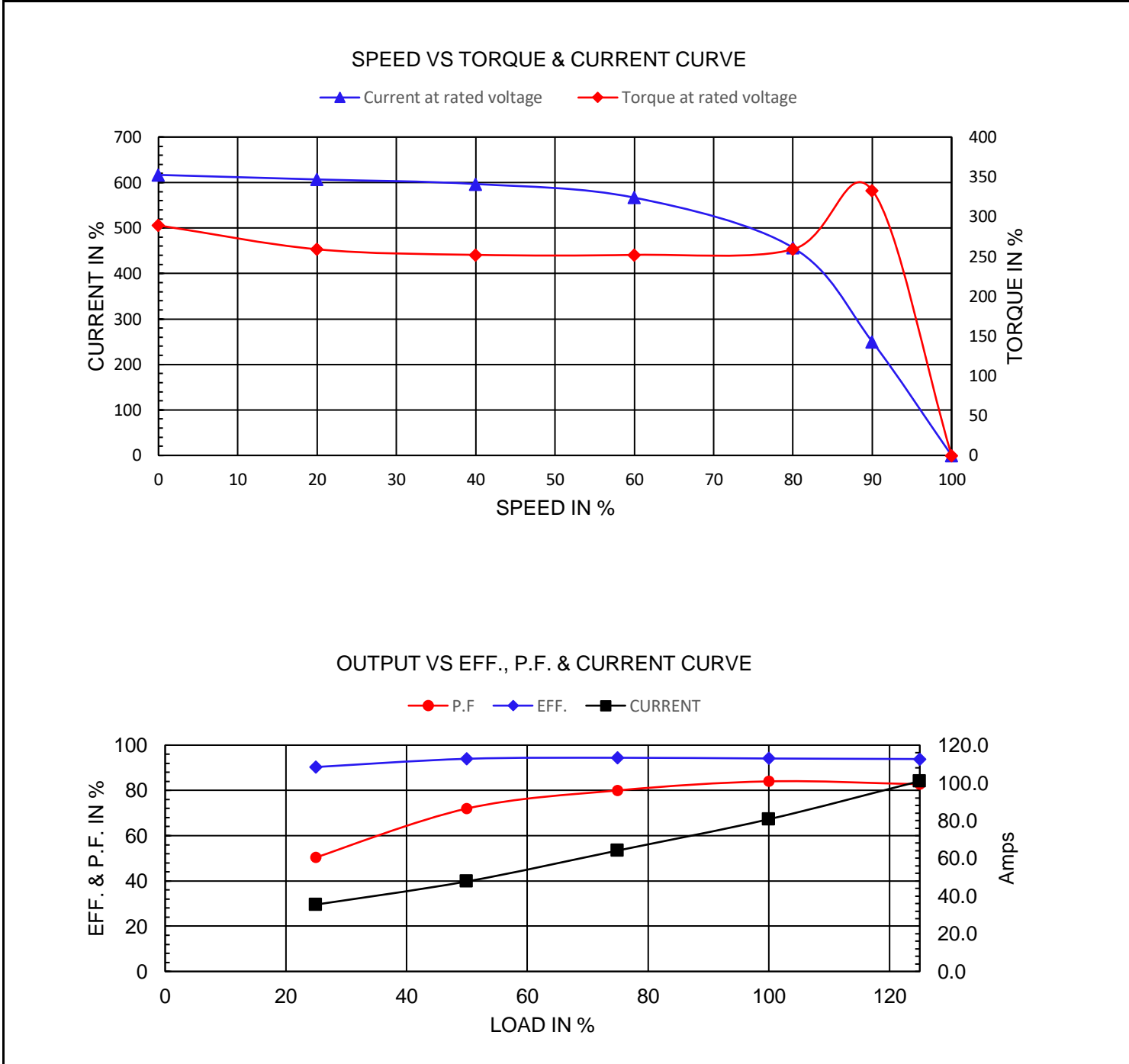
Premium Efficiency Motor:

**ODP30-18-200-286T**

Document Generated: 12-Dec-2023  
Document ID:

Customer:

|                       |                          |            |      |              |       |
|-----------------------|--------------------------|------------|------|--------------|-------|
| Motor Type            | PEWWE                    |            |      |              |       |
| Output Rating (HP)    | 30                       | FL Speed   | 1775 |              |       |
| Full Load Torque      | 87.47 lb.ft              | LRT (%FLT) | 289  | 200 volt FLA | 80.73 |
| Rotor Wk <sup>2</sup> | 3.688 lb-ft <sup>2</sup> | BDT (%FLT) | 333  |              |       |



# NAMEPLATE / WIRING

WorldWide Electric Corporation

1 (800) 808-2131

Worldwideelectric.net



Premium Efficiency Motor: **ODP30-18-200-286T**

Document Generated: 12-Dec-2023  
Document ID:

Customer:

## SAMPLE NAMEPLATE DATA

|                                       |         |  |         |       |              |           |       |  |
|---------------------------------------|---------|--|---------|-------|--------------|-----------|-------|--|
|                                       |         | <b>OPEN DRIP PROOF<br/>3 PHASE MOTOR</b> |         |       |              |           |       |  |
| Model :                               |         | Encl :                                   |         | SN :  |              |           |       |  |
| HP :                                  | Poles : | FR :                                     | Ins : F | IP 23 | Max Amb 40°C | Duty:Cont |       |  |
| Hz :                                  |         |  | CODE:   |       | Design :     |           |       |  |
| Volts :                               |         |  | P.F. :  |       | DE BRG :     |           |       |  |
| Amps :                                |         |  | Eff :   |       | ODE BRG :    |           |       |  |
| RPM :                                 |         |  | S.F. :  |       | WT :         |           | 200 V |  |
|                                       |         |  |         |       | Date :       |           |       |  |
| <b>WorldWide Electric Corporation</b> |         |  |         |       |              |           |       |  |

|               |                   |               |       |                 |          |
|---------------|-------------------|---------------|-------|-----------------|----------|
| <b>Model</b>  | ODP30-18-200-286T | <b>Encl</b>   | ODP   |                 |          |
| <b>HP:</b>    | 30                | <b>Poles:</b> | 4     | <b>FR:</b>      | 284/6T   |
| <b>Hz:</b>    | 60                | <b>Code:</b>  | G     | <b>Design</b>   | B        |
| <b>Volts:</b> | 200               | <b>P.F.:</b>  | 0.84  | <b>DE BRG:</b>  | 6311Z    |
| <b>Amps</b>   | 80.73             | <b>Eff:</b>   | 94.1% | <b>ODE BRG:</b> | 6310Z    |
| <b>RPM</b>    | 1775              | <b>S.F. :</b> | 1.15  | <b>WT:</b>      | 330 lbs. |
|               |                   |               |       | <b>Ins:</b>     | F        |