

# DATA SHEET

Premium Efficiency Motor: **ODP30-18-286TC,**

**60 Hz**

WorldWide Electric Corporation

1 (800) 808-2131

Worldwideelectric.net



Document Generated: 11-Dec-2023  
Document ID:

Customer:

| MOTOR INFORMATION       |                             |
|-------------------------|-----------------------------|
| HP                      | 30                          |
| RPM                     | 1800                        |
| Phase                   | 3                           |
| Frequency               | 60                          |
| Voltage                 | 230/460                     |
| Frame Size              | 284/6TC                     |
| Enclosure               | ODP                         |
| Degree of Protection    | IP23                        |
| Service Factor          | 1.15                        |
| Poles                   | 4                           |
| Full Load Speed         | 1775                        |
| Insulation Class        | F                           |
| Temp Rise               | 80°C                        |
| NEMA Code Letter        | G                           |
| Duty Cycle              | S1 / Continuous             |
| Slip                    | 1.40%                       |
| NEMA Design             | B                           |
| Moment of Inertia       | 3.688 lb.ft.^2              |
| Locked Rotor Time (Hot) | 12 seconds                  |
| Sound Pressure Level    | 72 dB(A)                    |
| Number of Starts        | 2 Cold / 1 Hot              |
| Max Ambient Temperature | 40°C                        |
| Max Elevation           | 1000 m.a.s.l (3300 f.a.s.l) |
| Mounting                | F1                          |
| Rotation                | Bi-Directional              |
| Area of Classification  | Safe Area                   |
| Inverter Rating         | 10:1 CT / 20:1 VT           |
| Standard                | NEMA MG 1                   |
| Approvals               | UL, CE                      |

| EFFICIENCY/POWER FACTOR |        |       |
|-------------------------|--------|-------|
| LOAD                    | EFF    | P. F. |
| 100%                    | 94.1 % | 0.84  |
| 75%                     | 94.4 % | 0.80  |
| 50%                     | 94.0 % | 0.72  |

| TORQUE       |       |       |
|--------------|-------|-------|
| FULL LOAD    | LRT   | BDT   |
| 87.47 lb.ft. | 289 % | 333 % |

| AMPERAGE INFORMATION |        |        |
|----------------------|--------|--------|
|                      | 230V   | 460V   |
| Full Load Amps       | 70.2A  | 35.1A  |
| Locked Rotor Amps    | 433A   | 216.5A |
| No Load Current      | 24.8A  | 12.4A  |
| Usable at 208V       | 38.81A |        |

| BEARING INFORMATION     |                  |
|-------------------------|------------------|
| DE Bearing              | 6311Z            |
| ODE Bearing             | 6310Z            |
| Grease Type             | Mobil Polyrex EM |
| DE Regreasing Interval  | 2400 Hours       |
| ODE Regreasing Interval | 3600 Hours       |
| Grease Quantity         | 17g/15g          |

| ADDITIONAL DATA    |               |
|--------------------|---------------|
| F2 Suitable        | Yes           |
| Shaft Material     | AISI 1045     |
| Connection Diagram | 12 Lead Delta |
| Approximate Weight | 330 lbs.      |

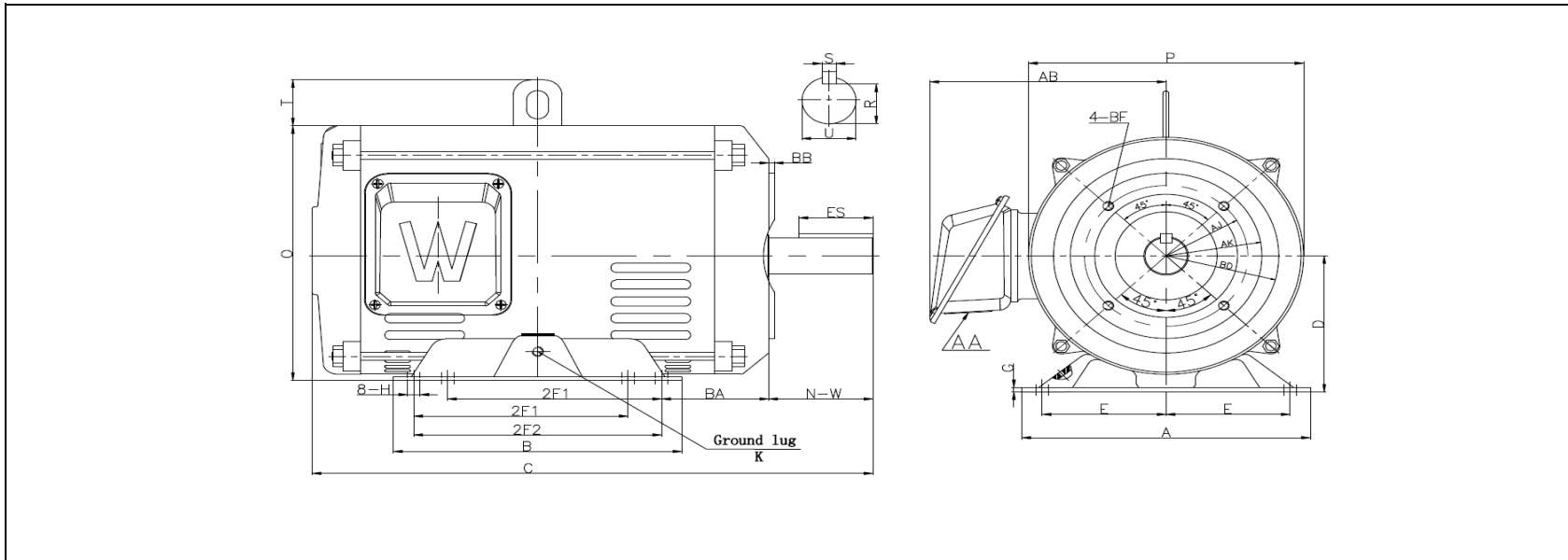
# MOTOR DRAWING

Premium Efficiency Motor: **ODP30-18-286TC**

WorldWide Electric Corporation

1 (800) 808-2131

Worldwideelectric.net



## DIMENSION - INCHES

| MOUNTING |     |     |      |      | A    | B    | C  | D | G    | P    | O    | T    | AB   |
|----------|-----|-----|------|------|------|------|----|---|------|------|------|------|------|
| E        | 2F1 | 2F2 | H    | BA   |      |      |    |   |      |      |      |      |      |
| 5.5      | 9.5 | 11  | 0.53 | 4.75 | 12.8 | 12.8 | 25 | 7 | 0.24 | 12.2 | 13.1 | 2.36 | 11.1 |

| SHAFT & KEY |      |       |      |       |
|-------------|------|-------|------|-------|
| S           | ES   | R     | N-W  | U     |
| 0.5         | 3.28 | 1.591 | 4.62 | 1.875 |

| T-BOX | GND LUG |
|-------|---------|
| AA    | M6*P1.0 |
| 2     |         |

| FLANGE |       |    |              |      |
|--------|-------|----|--------------|------|
| AK     | BD    | AJ | BF           | BB   |
| 10.5   | 11.25 | 9  | 4*1/2-13 UNC | 0.25 |

# PERFORMANCE CURVES

WorldWide Electric Corporation

1 (800) 808-2131

Worldwideelectric.net



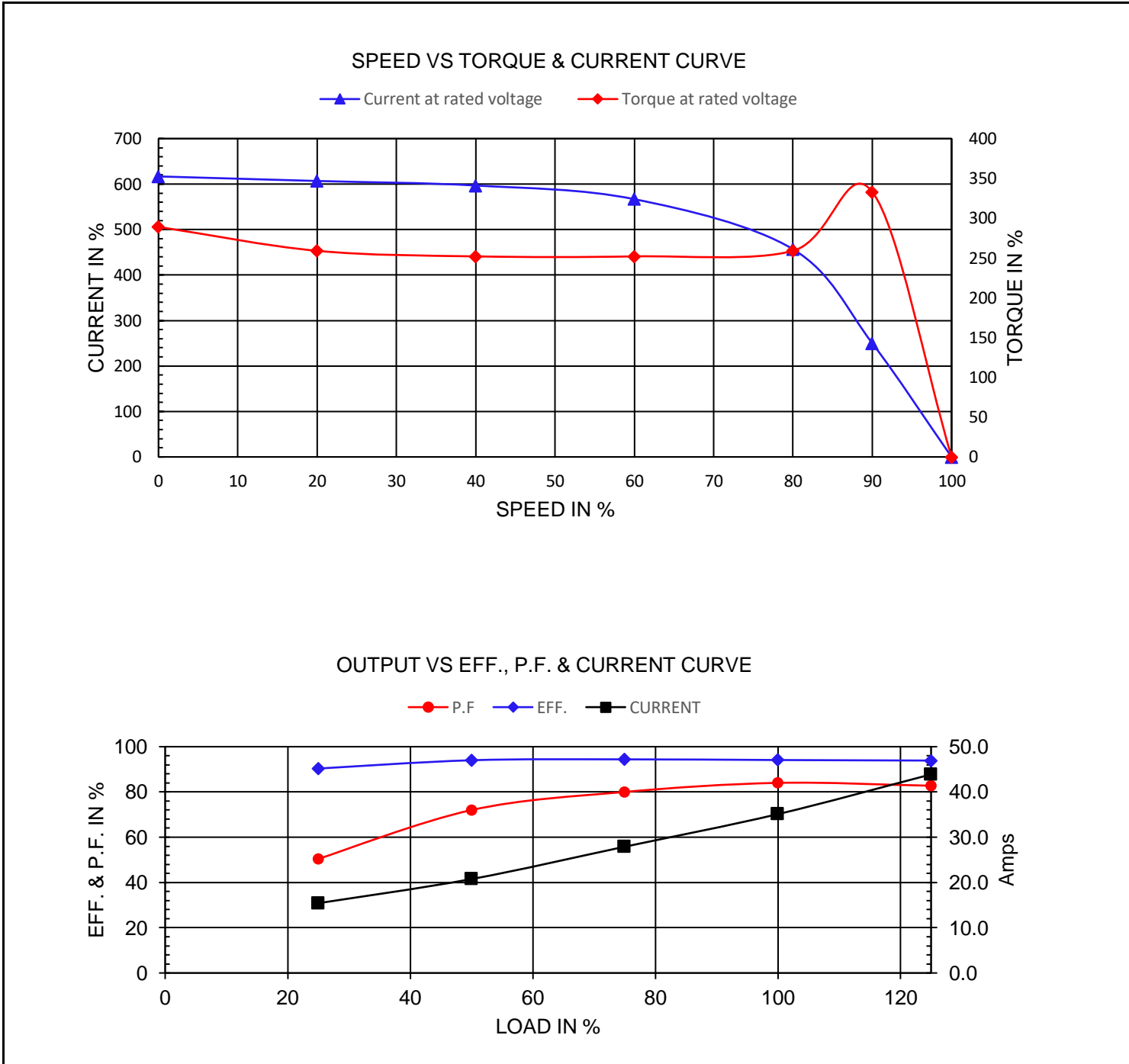
Premium Efficiency Motor:

**ODP30-18-286TC**

Document Generated: 11-Dec-2023  
Document ID:

Customer:

|                       |       |                    |              |      |  |
|-----------------------|-------|--------------------|--------------|------|--|
| Motor Type            | ODP   |                    | FL Speed     | 1775 |  |
| Output Rating (HP)    | 30    |                    | LRT (%FLT)   | 289  |  |
| Full Load Torque      | 87.47 | lb.ft              | 460 volt FLA | 35.1 |  |
| Rotor Wk <sup>2</sup> | 0.941 | lb-ft <sup>2</sup> | 230 volt FLA | 70.2 |  |
|                       |       |                    | BDT (%FLT)   | 333  |  |



# NAMEPLATE / WIRING

WorldWide Electric Corporation

1 (800) 808-2131

Worldwideelectric.net



Premium Efficiency Motor: **ODP30-18-286TC**

Document Generated: 11-Dec-2023  
Document ID:

Customer:

## SAMPLE NAMEPLATE DATA

|                        |                    |  |                        |                   |                     |                                       |  |                          |
|------------------------|--------------------|--|------------------------|-------------------|---------------------|---------------------------------------|--|--------------------------|
|                        |                    | <b>OPEN DRIP PROOF<br/>3 PHASE MOTOR</b> |                        |                   |                     |                                       |  |                          |
| <b>Model :</b>         |                    | <b>Encl :</b> ODP                        |                        | <b>SN :</b>       |                     |                                       |  |                          |
| <b>HP :</b>            | <b>Poles :</b>     | <b>FR :</b>                              | <b>Ins :</b> F         | <b>IP 23</b>      | <b>Max Amb 40°C</b> | <b>Duty:Cont</b>                      |  |                          |
| <b>Hz :</b> 60         | <b>CODE:</b>       |  | <b>Hz :</b> 50         | <b>Design :</b> B |                     | <b>L1 L2 L3</b><br>230 V              |  |                          |
| <b>Volts :</b> 230/460 | <b>P.F. :</b>      |  | <b>Volts :</b> 190/380 | <b>DE BRG :</b>   |                     | <b>ODE BRG :</b>                      |  |                          |
| <b>Amps :</b>          | <b>Eff: %</b>      |  | <b>Amps :</b>          | <b>WT: LBS</b>    |                     | <b>Date:</b>                          |  |                          |
| <b>RPM :</b>           | <b>S.F. : 1.15</b> |  | <b>RPM :</b>           | <b>S.F. : 1.0</b> |                     | <b>WorldWide Electric Corporation</b> |  | <b>L1 L2 L3</b><br>460 V |

|                              |                   |                        |                       |                |  |
|------------------------------|-------------------|------------------------|-----------------------|----------------|--|
| <b>Model:</b> ODP30-18-286TC |                   | <b>Encl:</b> ODP       |                       |                |  |
| <b>HP:</b> 30                | <b>Poles:</b> 4   | <b>Frame</b> 284/6TC   | <b>Ins Cl:</b> F      | <b>IP</b> IP23 |  |
| <b>Hz:</b> 60                | <b>Code:</b> G    | <b>Hz:</b> 50          | <b>Design:</b> B      |                |  |
| <b>Volts:</b> 230/460        | <b>P.F.:</b> 0.84 | <b>Volts:</b> 190/380  | <b>DE Brg:</b> 6311Z  |                |  |
| <b>Amps:</b> 70.2/35.1       | <b>Eff:</b> 94.1% | <b>Amps:</b> 84.2/42.1 | <b>ODE Brg:</b> 6310Z |                |  |
| <b>RPM:</b> 1775             | <b>S.F.:</b> 1.15 | <b>RPM:</b> 1455       | <b>WT:</b> 330 lbs.   |                |  |
|                              |                   | <b>S.F.:</b> 1.0       |                       |                |  |