

DATA SHEET

Premium Efficiency Motor: **ODP30-36-200-284TS,**

60 Hz

WorldWide Electric Corporation

1 (800) 808-2131

Worldwideelectric.net



Document Generated: 12-Dec-2023
Document ID:

Customer:

MOTOR INFORMATION	
HP	30
RPM	3600
Phase	3
Frequency	60
Voltage	200
Frame Size	284/6TS
Enclosure	ODP
Degree of Protection	IP23
Service Factor	1.15
Poles	2
Full Load Speed	3558
Insulation Class	F
Temp Rise	80°C
NEMA Code Letter	G
Duty Cycle	S1 / Continuous
Slip	1.17%
NEMA Design	B
Moment of Inertia	2.35 lb.ft.^2
Locked Rotor Time (Hot)	12 seconds
Sound Pressure Level	78 dB(A)
Number of Starts	2 Cold / 1 Hot
Max Ambient Temperature	40°C
Max Elevation	1000 m.a.s.l (3300 f.a.s.l)
Mounting	F1
Rotation	Bi-Directional
Area of Classification	Safe Area
Inverter Rating	10:1 CT / 20:1 VT
Standard	NEMA MG 1
Approvals	UL, CE

EFFICIENCY/POWER FACTOR		
LOAD	EFF	P. F.
100%	91.7 %	0.9
75%	93.2 %	0.90
50%	93.2 %	0.87

TORQUE		
FULL LOAD	LRT	BDT
43.45 lb.ft.	333 %	397 %

AMPERAGE INFORMATION	
	200V
Full Load Amps	76.36
Locked Rotor Amps	544.87A
No Load Current	14.03A

BEARING INFORMATION	
DE Bearing	6311Z
ODE Bearing	6310Z
Grease Type	Mobil Polyrex EM
DE Regreasing Interval	2400 Hours
ODE Regreasing Interval	3600 Hours
Grease Quantity	17g/15g

ADDITIONAL DATA	
F2 Suitable	Yes
Shaft Material	AISI 1045
Connection Diagram	6 Lead Delta
Approximate Weight	329 lbs.

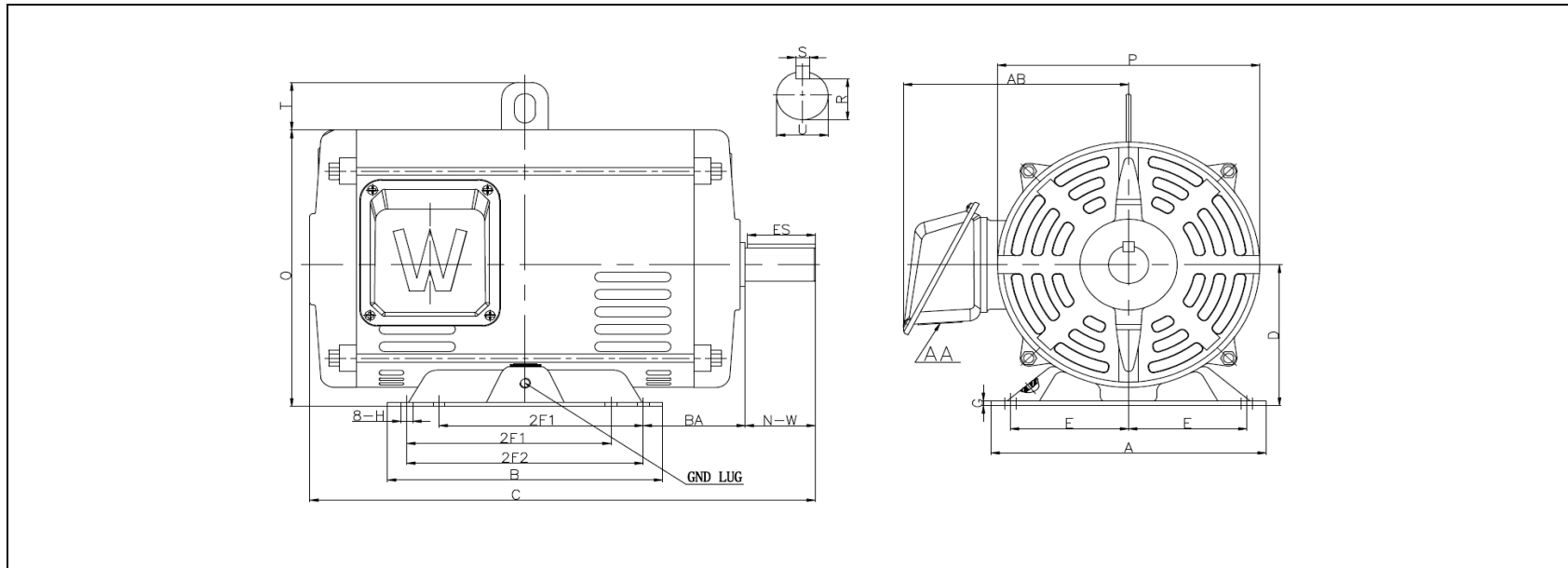
MOTOR DRAWING

Premium Efficiency Motor: **ODP30-36-200-284TS**

WorldWide Electric Corporation

1 (800) 808-2131

Worldwideelectric.net



DIMENSION - INCHES

MOUNTING					A	B	C	D	G	P	O	T	AB
E	2F1	2F2	H	BA									
5.5	9.5	11	0.53	4.75	12.8	12.8	22.6	7	0.24	12.2	13.1	2.36	11.1

SHAFT & KEY				
S	ES	R	N-W	U
0.375	1.91	1.416	3.25	1.625

T-BOX	GND LUG
AA	M6*P1.0
2	

PERFORMANCE CURVES

WorldWide Electric Corporation

1 (800) 808-2131

Worldwideelectric.net

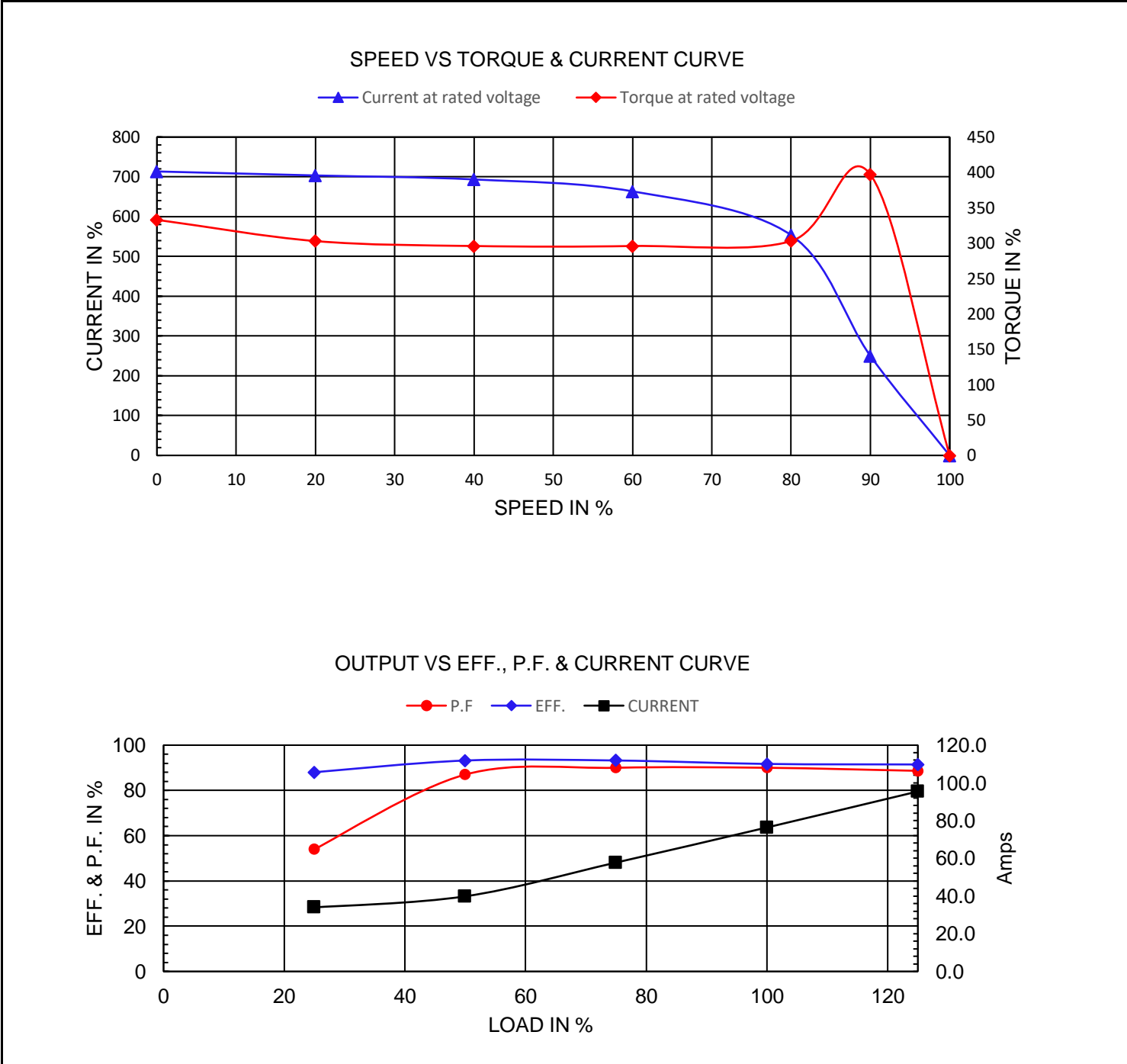


Premium Efficiency Motor:

ODP30-36-200-284TS

Document Generated: 12-Dec-2023	Customer:
Document ID:	

Motor Type	PEWWE				
Output Rating (HP)	30	FL Speed	3558		
Full Load Torque	43.45 lb.ft	LRT (%FLT)	333	200 volt FLA	76.36
Rotor Wk ²	2.35 lb-ft ²	BDT (%FLT)	397		



NAMEPLATE / WIRING

WorldWide Electric Corporation

1 (800) 808-2131

Worldwideelectric.net



Premium Efficiency Motor: **ODP30-36-200-284TS**

Document Generated: 12-Dec-2023
Document ID:

Customer:

SAMPLE NAMEPLATE DATA

		OPEN DRIP PROOF 3 PHASE MOTOR									
Model :		Encl :		SN :							
HP :	Poles :	FR :	Ins : F	IP 23	Max Amb 40°C	Duty:Cont					
Hz :				CODE:		Design :					
Volts :				P.F. :		DE BRG :					
Amps :				Eff :		ODE BRG :					
RPM :				S.F. :		WT :					
						Date :					
WorldWide Electric Corporation											

Model	ODP30-36-200-284TS	Encl	ODP		
HP:	30	Poles:	2	FR:	284/6TS
Hz:	60	Code:	G	Design	B
Volts:	200	P.F.:	0.9	DE BRG:	6311Z
Amps	76.36	Eff:	91.7%	ODE BRG:	6310Z
RPM	3558	S.F. :	1.15	WT:	329 lbs.
				Ins:	F