

# DATA SHEET

Premium Efficiency Motor: **ODP34-36-56CB,**

**60 Hz**

WorldWide Electric Corporation

1 (800) 808-2131

Worldwideelectric.net



Document Generated: 11-Dec-2023  
Document ID:

Customer:

MOTOR INFORMATION	
HP	0.75
RPM	3600
Phase	3
Frequency	60
Voltage	230/460
Frame Size	56CB
Enclosure	ODP
Degree of Protection	IP23
Service Factor	1.15
Poles	2
Full Load Speed	3420
Insulation Class	F
Temp Rise	80°C
NEMA Code Letter	J
Duty Cycle	S1 / Continuous
Slip	5.00%
NEMA Design	B
Moment of Inertia	0.043 lb.ft.^2
Locked Rotor Time (Hot)	12 seconds
Sound Pressure Level	58 dB(A)
Number of Starts	2 Cold / 1 Hot
Max Ambient Temperature	40°C
Max Elevation	1000 m.a.s.l (3300 f.a.s.l)
Mounting	F1
Rotation	Bi-Directional
Area of Classification	Safe Area
Inverter Rating	10:1 CT / 20:1 VT
Standard	NEMA MG 1
Approvals	UL, CE

EFFICIENCY/POWER FACTOR		
LOAD	EFF	P. F.
100%	76.8 %	0.87
75%	80.5 %	0.83
50%	77.5 %	0.74

TORQUE		
FULL LOAD	LRT	BDT
1.13 lb.ft.	318 %	307 %

AMPERAGE INFORMATION		
	230V	460V
Full Load Amps	1.96A	0.98A
Locked Rotor Amps	14.26A	7.13A
No Load Current	0.78A	0.39A
Usable at 208V	1.08A	

BEARING INFORMATION	
DE Bearing	6203ZZ
ODE Bearing	6203ZZ
Grease Type	NSK SN7
DE Regreasing Interval	-- Hours
ODE Regreasing Interval	-- Hours
Grease Quantity	--

ADDITIONAL DATA	
F2 Suitable	No
Shaft Material	AISI 1045
Connection Diagram	9 Lead Wye
Approximate Weight	26.5 lbs.

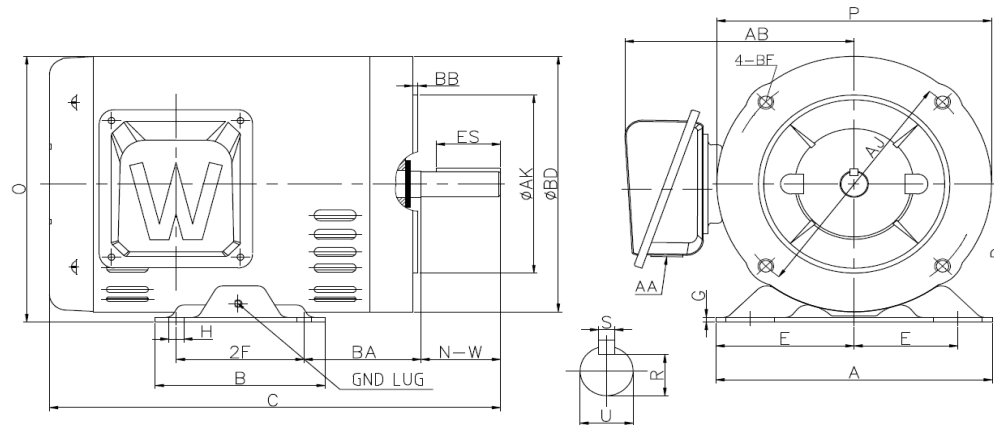
# MOTOR DRAWING

Premium Efficiency Motor: **ODP34-36-56CB**

WorldWide Electric Corporation

1 (800) 808-2131

Worldwideelectric.net



## DIMENSION - INCHES

MOUNTING					A	B	C	D	G	P	O	T	AB
E	2F1	2F2	H	BA									
2.44	3	--	0.34	2.75	6.49	3.99	10.6	3.5	0.118	6.5	6.71	--	5.7

SHAFT & KEY				
S	ES	R	N-W	U
0.188	1.41	0.517	1.88	6.25

T-BOX	GND LUG
AA	M5*P0.8
0.88	

FLANGE				
AK	BD	AJ	BF	BB
4.5	6.5	5.875	4*3/8-16 UNC	0.12

# PERFORMANCE CURVES

WorldWide Electric Corporation

1 (800) 808-2131

Worldwideelectric.net

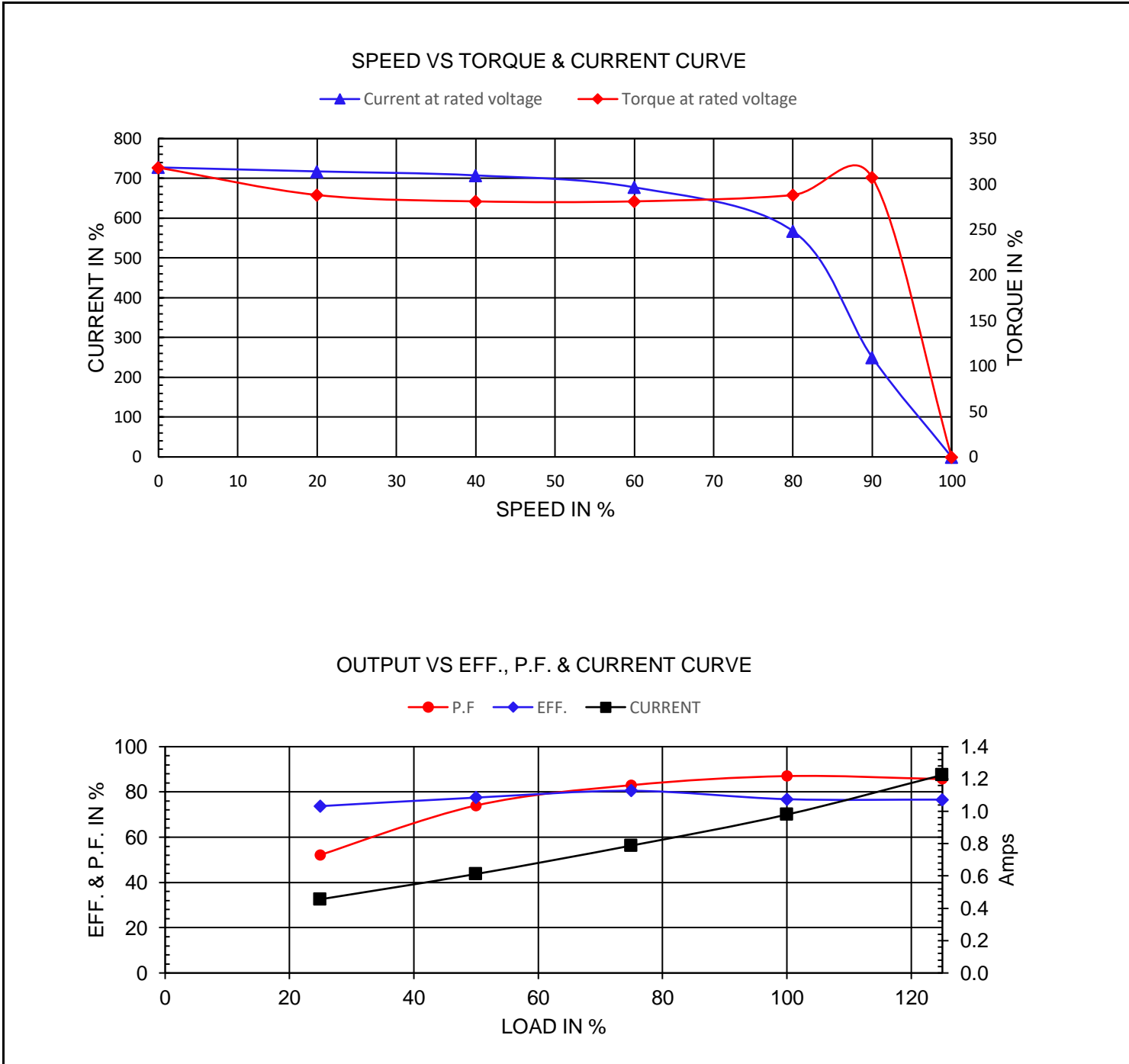


Premium Efficiency Motor:

**ODP34-36-56CB**

Document Generated: 11-Dec-2023	Customer:
Document ID:	

Motor Type	ODP				
Output Rating (HP)	0.75	FL Speed	3420		
Full Load Torque	1.13 lb.ft	LRT (%FLT)	318	460 volt FLA	0.98
Rotor Wk <sup>2</sup>	0.768 lb-ft <sup>2</sup>	BDT (%FLT)	307	230 volt FLA	1.96



# NAMEPLATE / WIRING

WorldWide Electric Corporation

1 (800) 808-2131

Worldwideelectric.net



Premium Efficiency Motor: **ODP34-36-56CB**

Document Generated: 11-Dec-2023  
Document ID:

Customer:

## SAMPLE NAMEPLATE DATA

		<b>OPEN DRIP PROOF 3 PHASE MOTOR</b>									
		Model :		Encl : ODP		SN :					
HP :	Poles :	FR : 56C	Ins : F	IP 23	Max Amb 40°C	Duty : Cont					
Hz : 60	CODE :		Hz : 50		Design : B						
Volts : 230/460	P.F. :		Volts : 190/380		DE BRG :						
Amps :	Eff :		Amps :		ODE BRG :						
RPM :	S.F. : 1.15		RPM :		WT : LBS						
						S.F. : 1.0		Date :			
<b>WorldWide Electric Corporation</b>											

<b>Model:</b> ODP34-36-56CB		<b>Encl:</b> ODP							
<b>HP:</b> 0.75	<b>Poles:</b> 2	<b>Frame</b> 56CB	<b>Ins Cl:</b> F	<b>IP</b> IP23					
<b>Hz:</b> 60	<b>Code:</b> J	<b>Hz:</b> 50	<b>Design:</b> B						
<b>Volts:</b> 230/460	<b>P.F.:</b> 0.87	<b>Volts:</b> 190/380	<b>DE Brg:</b> 6203ZZ						
<b>Amps:</b> 1.96/0.98	<b>Eff:</b> 76.8%	<b>Amps:</b> 2.4/1.2	<b>ODE Brg:</b> 6203ZZ						
<b>RPM:</b> 3420	<b>S.F.:</b> 1.15	<b>RPM:</b> 2845	<b>WT:</b> 26.5 lbs.						
		<b>S.F.:</b> 1.0							