

DATA SHEET

Premium Efficiency Motor: **ODP40-18-324T,**

60 Hz

WorldWide Electric Corporation

1 (800) 808-2131

Worldwideelectric.net



Document Generated: 8-Dec-2023
Document ID:

Customer:

MOTOR INFORMATION	
HP	40
RPM	1800
Phase	3
Frequency	60
Voltage	230/460
Frame Size	324/6T
Enclosure	ODP
Degree of Protection	IP23
Service Factor	1.15
Poles	4
Full Load Speed	1778
Insulation Class	F
Temp Rise	80°C
NEMA Code Letter	G
Duty Cycle	S1 / Continuous
Slip	1.20%
NEMA Design	B
Moment of Inertia	7.731 lb.ft.^2
Locked Rotor Time (Hot)	12 seconds
Sound Pressure Level	71 dB(A)
Number of Starts	2 Cold / 1 Hot
Max Ambient Temperature	40°C
Max Elevation	1000 m.a.s.l (3300 f.a.s.l)
Mounting	F1
Rotation	Bi-Directional
Area of Classification	Safe Area
Inverter Rating	10:1 CT / 20:1 VT
Standard	NEMA MG 1
Approvals	UL, CE

EFFICIENCY/POWER FACTOR		
LOAD	EFF	P. F.
100%	94.1 %	0.84
75%	94.5 %	0.80
50%	94.2 %	0.7

TORQUE		
FULL LOAD	LRT	BDT
118.1 lb.ft.	355 %	387 %

AMPERAGE INFORMATION		
	230V	460V
Full Load Amps	95.8A	47.9A
Locked Rotor Amps	630A	315A
No Load Current	36.8A	18.4A
Usable at 208V	52.97A	

BEARING INFORMATION	
DE Bearing	6314Z
ODE Bearing	6212Z
Grease Type	Mobil Polyrex EM
DE Regreasing Interval	2400 Hours
ODE Regreasing Interval	3600 Hours
Grease Quantity	26g/12g

ADDITIONAL DATA	
F2 Suitable	Yes
Shaft Material	AISI 1045
Connection Diagram	12 Lead Delta
Approximate Weight	440 lbs.

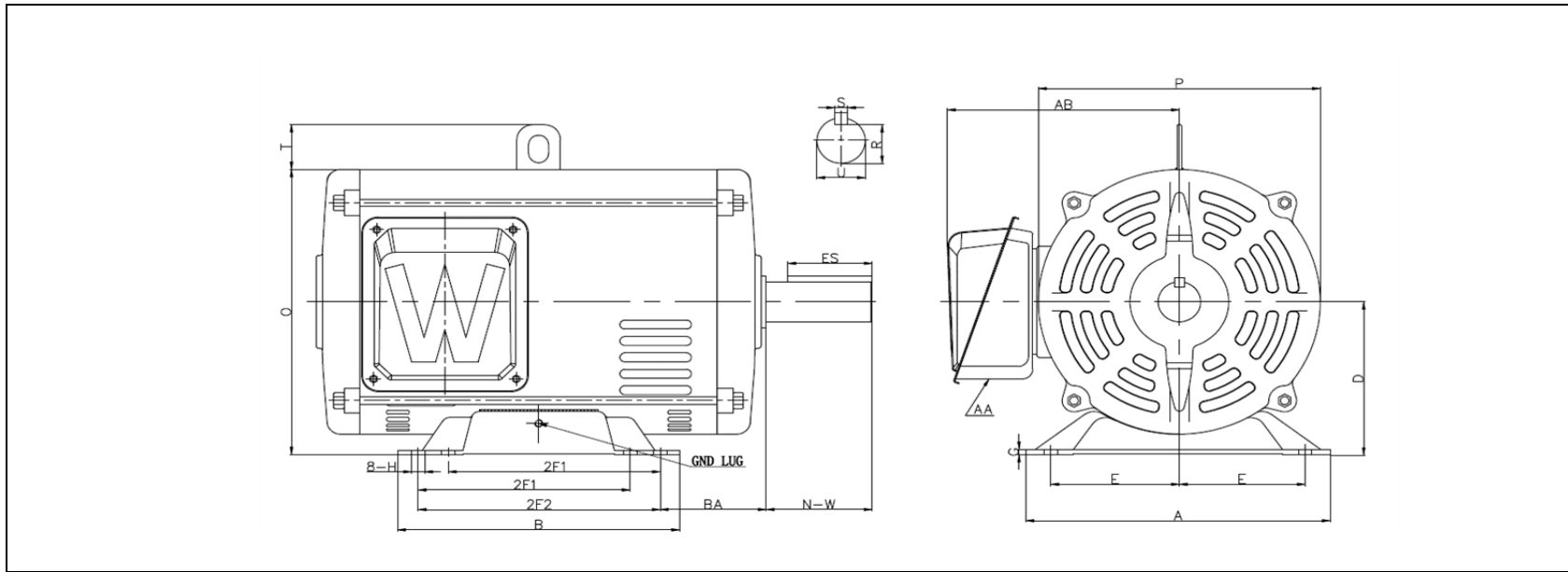
MOTOR DRAWING

Premium Efficiency Motor: **ODP40-18-324T**

WorldWide Electric Corporation

1 (800) 808-2131

Worldwideelectric.net



DIMENSION - INCHES

MOUNTING					A	B	C	D	G	P	O	T	AB
E	2F1	2F2	H	BA									
6.25	10.5	12	0.66	5.25	15.08	14	27.8	8	0.275	14	15	2.36	13.1

SHAFT & KEY				
S	ES	R	N-W	U
0.5	3.91	1.845	5.25	2.125

T-BOX	GND LUG
AA	
2.5	M8*P1.25

PERFORMANCE CURVES

WorldWide Electric Corporation

1 (800) 808-2131

Worldwideelectric.net



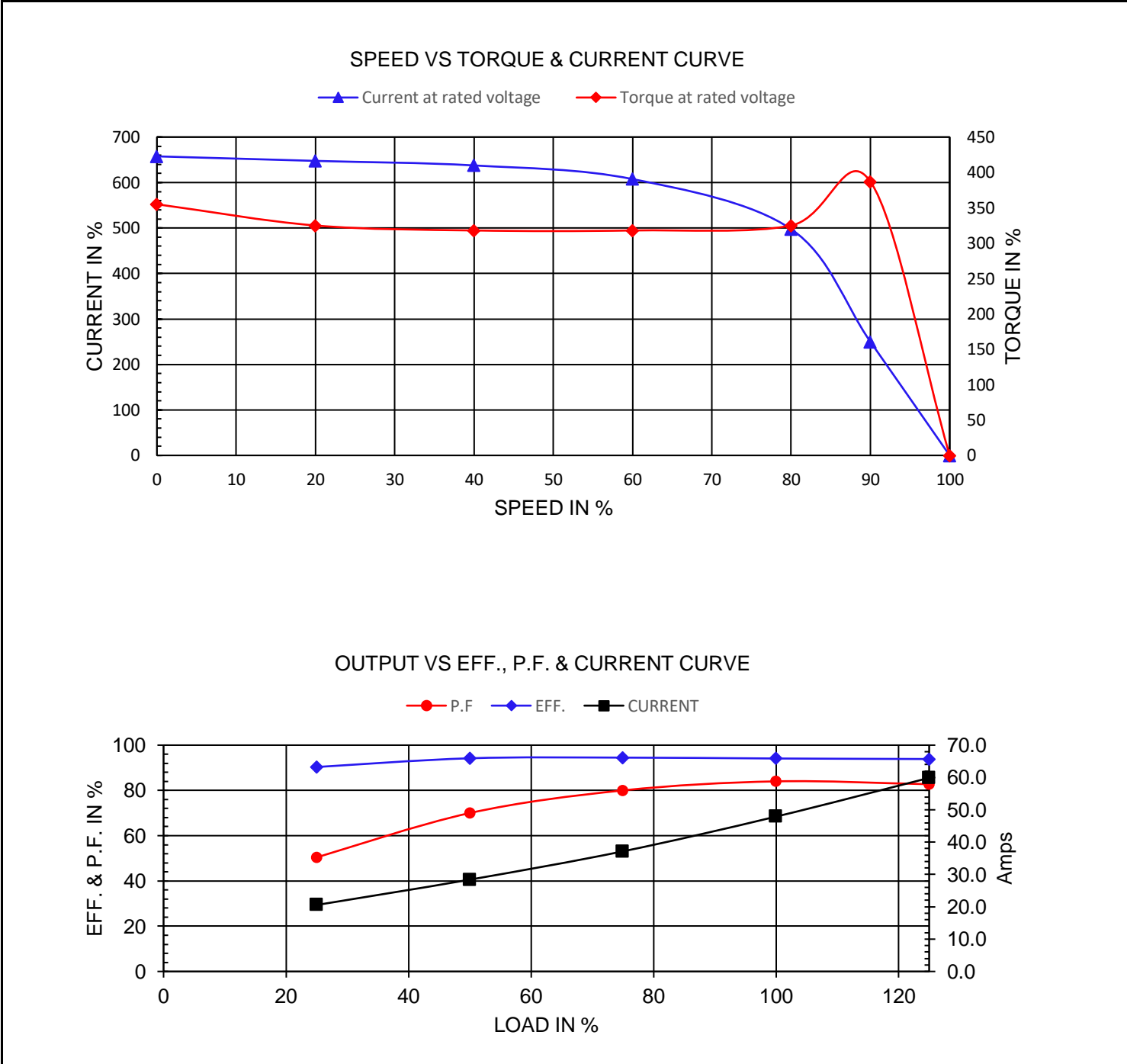
Premium Efficiency Motor:

ODP40-18-324T

Document Generated: 8-Dec-2023
Document ID:

Customer:

Motor Type	ODP		FL Speed	1778	
Output Rating (HP)	40		LRT (%FLT)	355	460 volt FLA 47.9
Full Load Torque	118.1	lb.ft	BDT (%FLT)	387	230 volt FLA 95.8
Rotor Wk ²	0.941	lb-ft ²			



NAMEPLATE / WIRING

WorldWide Electric Corporation

1 (800) 808-2131

Worldwideelectric.net



Premium Efficiency Motor: **ODP40-18-324T**

Document Generated: 8-Dec-2023
Document ID:

Customer:

SAMPLE NAMEPLATE DATA

		OPEN DRIP PROOF 3 PHASE MOTOR						
Model :		Encl : ODP		SN :				
HP :	Poles :	FR :	Ins : F	IP 23	Max Amb 40°C	Duty:Cont		
Hz : 60	CODE:		Hz : 50	Design : B		L1 L2 L3 230 V		
Volts : 230/460	P.F. :		Volts : 190/380	DE BRG :				
Amps :	Eff : %	Amps :	ODE BRG :		L1 L2 L3 460 V			
RPM :	S.F. : 1.15		RPM :	WT : LBS	Date :			
WorldWide Electric Corporation								

Model: ODP40-18-324T		Encl: ODP					
HP: 40	Poles: 4	Frame 324/6T	Ins Cl: F	IP IP23			
Hz: 60	Code: G	Hz: 50	Design: B				
Volts: 230/460	P.F.: 0.84	Volts: 190/380	DE Brg: 6314Z				
Amps: 95.8/47.9	Eff: 94.1%	Amps: 115/57.5	ODE Brg: 6212Z				
RPM: 1778	S.F.: 1.15	RPM: 1460	WT: 440 lbs.				
		S.F.: 1.0					