

DATA SHEET

Premium Efficiency Motor: **ODP5-18-184T-GR,**

60 Hz

WorldWide Electric Corporation

1 (800) 808-2131

Worldwideelectric.net



Document Generated: 8-Dec-2023
Document ID:

Customer:

MOTOR INFORMATION	
HP	5
RPM	1800
Phase	3
Frequency	60
Voltage	230/460
Frame Size	182/4T
Enclosure	ODP
Degree of Protection	IP23
Service Factor	1.15
Poles	4
Full Load Speed	1745
Insulation Class	F
Temp Rise	80°C
NEMA Code Letter	J
Duty Cycle	S1 / Continuous
Slip	3.06%
NEMA Design	B
Moment of Inertia	0.474 lb.ft.^2
Locked Rotor Time (Hot)	12 seconds
Sound Pressure Level	60 dB(A)
Number of Starts	2 Cold / 1 Hot
Max Ambient Temperature	40°C
Max Elevation	1000 m.a.s.l (3300 f.a.s.l)
Mounting	F1
Rotation	Bi-Directional
Area of Classification	Safe Area
Inverter Rating	10:1 CT / 20:1 VT
Standard	NEMA MG 1
Approvals	UL, CE

EFFICIENCY/POWER FACTOR		
LOAD	EFF	P. F.
100%	89.5 %	0.84
75%	90.5 %	0.80
50%	90.2 %	0.7

TORQUE		
FULL LOAD	LRT	BDT
14.9 lb.ft.	274 %	309 %

AMPERAGE INFORMATION		
	230V	460V
Full Load Amps	12.4A	6.2A
Locked Rotor Amps	93.34A	46.67A
No Load Current	4.66A	2.33A
Usable at 208V	6.86A	

BEARING INFORMATION	
DE Bearing	6306ZZ
ODE Bearing	6305ZZ
Grease Type	NSK SN7
DE Regreasing Interval	-- Hours
ODE Regreasing Interval	-- Hours
Grease Quantity	--

ADDITIONAL DATA	
F2 Suitable	No
Shaft Material	AISI 1045
Connection Diagram	9 Lead Wye
Approximate Weight	91.5 lbs.

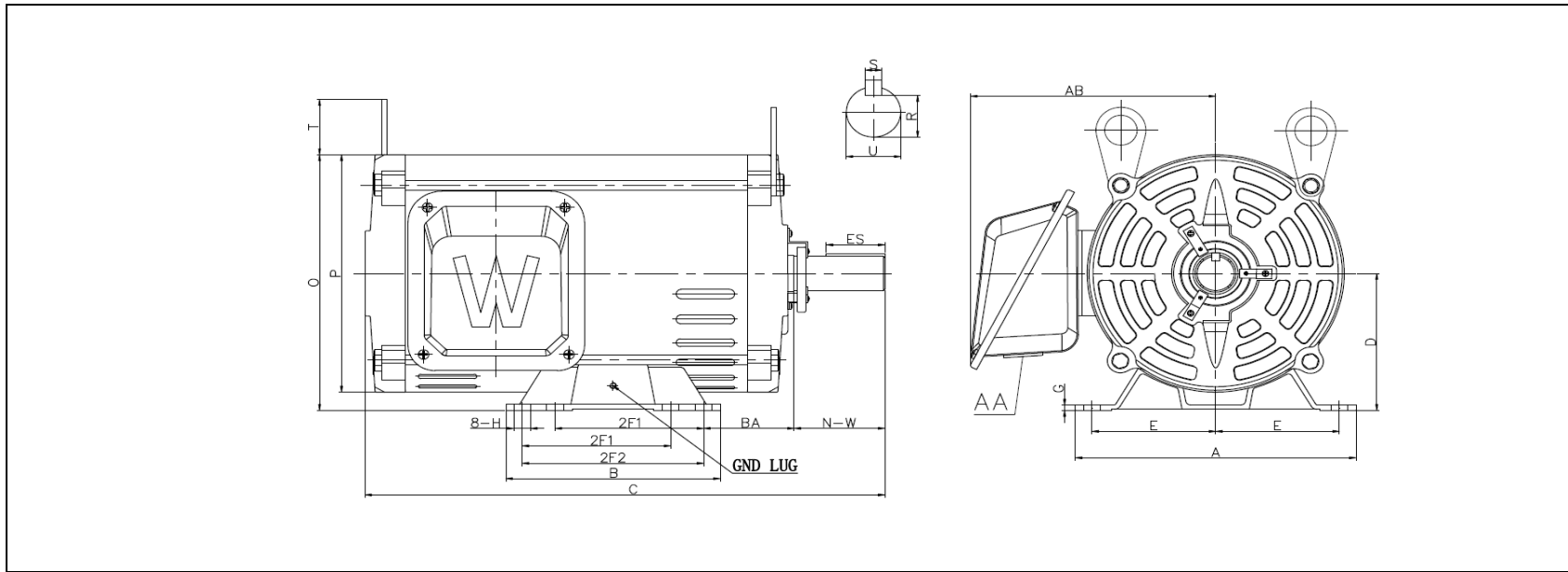
MOTOR DRAWING

Premium Efficiency Motor: **ODP5-18-184T-GR**

WorldWide Electric Corporation

1 (800) 808-2131

Worldwideelectric.net



DIMENSION - INCHES

MOUNTING					A	B	C	D	G	P	O	T	AB
E	2F1	2F2	H	BA									
3.75	4.5	5.5	0.41	2.75	8.5	6.495	16.4	4.5	0.41	7.72	8.36	1.6	7.55

SHAFT & KEY				
S	ES	R	N-W	U
0.25	1.78	0.986	2.75	1.125

T-BOX	GND LUG
AA	
1.09	M5*P0.8

PERFORMANCE CURVES

Premium Efficiency Motor:

ODP5-18-184T-GR

WorldWide Electric Corporation

1 (800) 808-2131

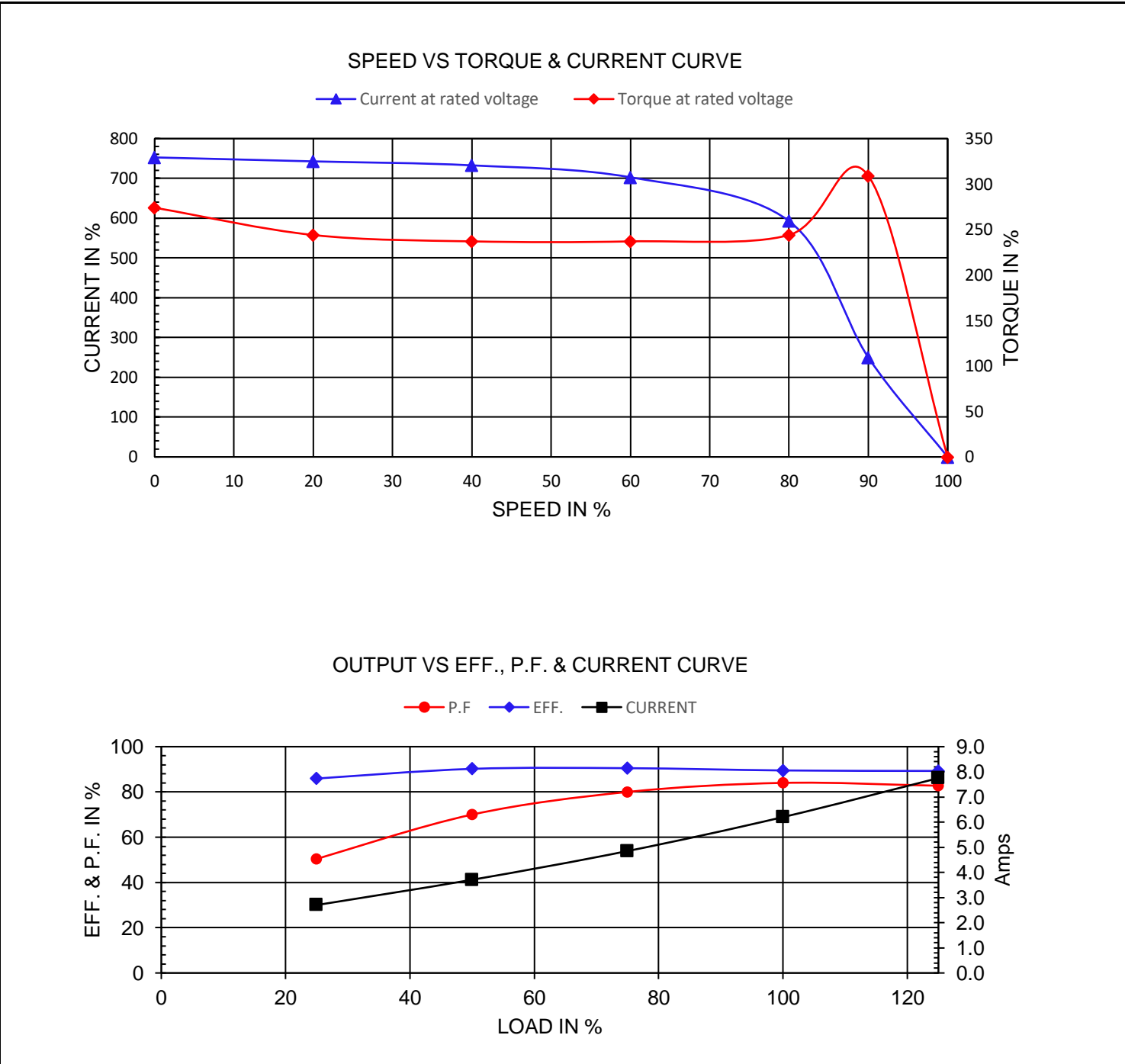
Worldwideelectric.net



Document Generated: 8-Dec-2023
Document ID:

Customer:

Motor Type	ODP		FL Speed	1745	
Output Rating (HP)	5		LRT (%FLT)	274	
Full Load Torque	14.9	lb.ft	460 volt FLA	6.2	
Rotor Wk ²	0.895	lb-ft ²	230 volt FLA	12.4	
			BDT (%FLT)	309	



NAMEPLATE / WIRING

WorldWide Electric Corporation

1 (800) 808-2131

Worldwideelectric.net



Premium Efficiency Motor: **ODP5-18-184T-GR**

Document Generated: 8-Dec-2023
Document ID:

Customer:

SAMPLE NAMEPLATE DATA

		OPEN DRIP PROOF 3 PHASE MOTOR						
Model :		Encl : ODP		SN :				
HP :	Poles :	FR :	Ins : F	IP 23	Max Amb 40°C	Duty : Cont		
Hz : 60	CODE:		Hz : 50	Design : B		DE BRG :		
Volts : 230/460	P.F. :		Volts : 190/380	ODE BRG :		230 V		
Amps :	Eff: %		Amps :	WT: LBS				
RPM :	S.F. : 1.15		RPM :	Date :		460 V		
WorldWide Electric Corporation								

Model: ODP5-18-184T-GR		Encl: ODP					
HP: 5	Poles: 4	Frame 182/4T	Ins Cl: F	IP IP23			
Hz: 60	Code: J	Hz: 50	Design: B				
Volts: 230/460	P.F.: 0.84	Volts: 190/380	DE Brg: 6306ZZ				
Amps: 12.4/6.2	Eff: 89.5%	Amps: 15/7.5	ODE Brg: 6305ZZ				
RPM: 1745	S.F.: 1.15	RPM: 1445	WT: 91.5 lbs.				
		S.F.: 1.0					