

# DATA SHEET

Premium Efficiency Motor: **ODP5-18-200-184T,**

**60 Hz**

WorldWide Electric Corporation

1 (800) 808-2131

Worldwideelectric.net



Document Generated: 12-Dec-2023  
Document ID:

Customer:

MOTOR INFORMATION	
HP	5
RPM	1800
Phase	3
Frequency	60
Voltage	200
Frame Size	182/4T
Enclosure	ODP
Degree of Protection	IP23
Service Factor	1.15
Poles	4
Full Load Speed	1745
Insulation Class	F
Temp Rise	80°C
NEMA Code Letter	J
Duty Cycle	S1 / Continuous
Slip	3.06%
NEMA Design	B
Moment of Inertia	0.474 lb.ft.^2
Locked Rotor Time (Hot)	12 seconds
Sound Pressure Level	60 dB(A)
Number of Starts	2 Cold / 1 Hot
Max Ambient Temperature	40°C
Max Elevation	1000 m.a.s.l (3300 f.a.s.l)
Mounting	F1
Rotation	Bi-Directional
Area of Classification	Safe Area
Inverter Rating	10:1 CT / 20:1 VT
Standard	NEMA MG 1
Approvals	UL, CE

EFFICIENCY/POWER FACTOR		
LOAD	EFF	P. F.
100%	89.5 %	0.84
75%	90.5 %	0.80
50%	90.2 %	0.7

TORQUE		
FULL LOAD	LRT	BDT
14.9 lb.ft.	274 %	309 %

AMPERAGE INFORMATION	
	200V
Full Load Amps	14.26
Locked Rotor Amps	107.341
No Load Current	5.359A

BEARING INFORMATION	
DE Bearing	6306ZZ
ODE Bearing	6305ZZ
Grease Type	NSK SN7
DE Regreasing Interval	-- Hours
ODE Regreasing Interval	-- Hours
Grease Quantity	--

ADDITIONAL DATA	
F2 Suitable	No
Shaft Material	AISI 1045
Connection Diagram	6 Lead Delta
Approximate Weight	91.5 lbs.

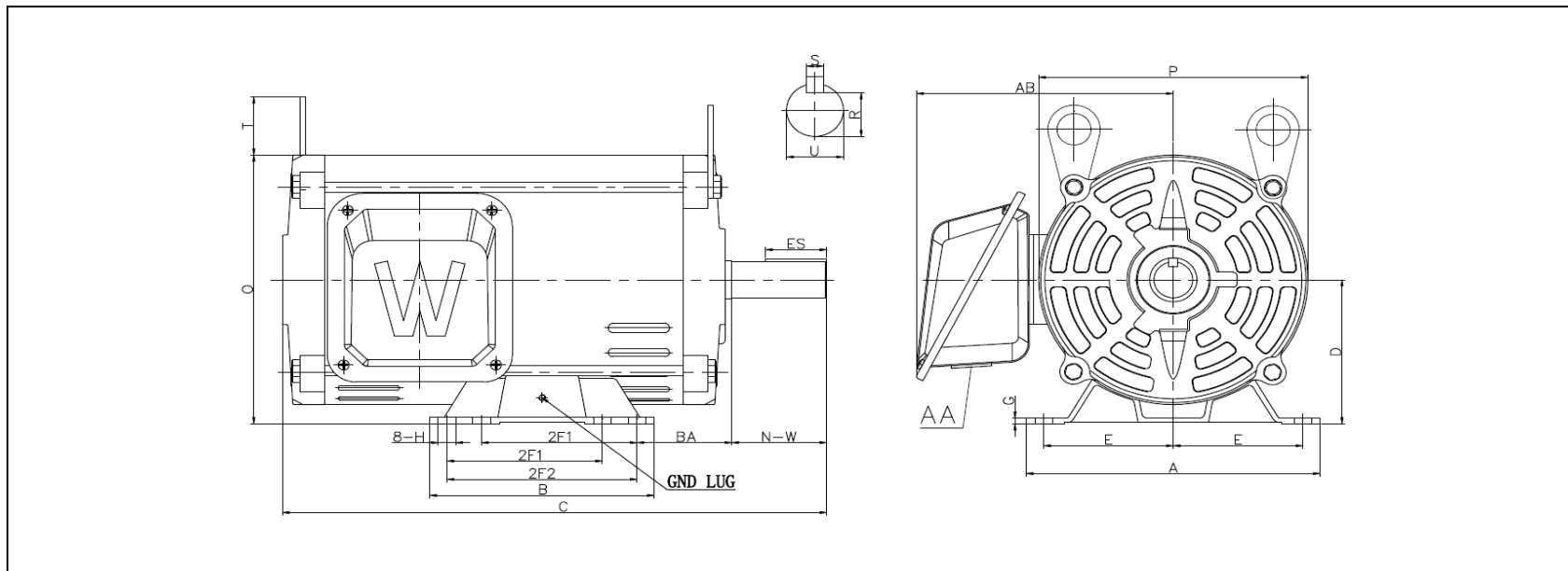
# MOTOR DRAWING

Premium Efficiency Motor: **ODP5-18-200-184T**

WorldWide Electric Corporation

1 (800) 808-2131

Worldwideelectric.net



## DIMENSION - INCHES

MOUNTING					A	B	C	D	G	P	O	T	AB
E	2F1	2F2	H	BA									
3.75	4.5	5.5	0.41	2.75	8.5	6.495	16.4	4.5	0.41	7.72	8.36	1.6	7.55

SHAFT & KEY				
S	ES	R	N-W	U
0.25	1.78	0.986	2.75	1.125

T-BOX	GND LUG
AA	
1.09	M5*P0.8

# PERFORMANCE CURVES

Premium Efficiency Motor:

**ODP5-18-200-184T**

WorldWide Electric Corporation

1 (800) 808-2131

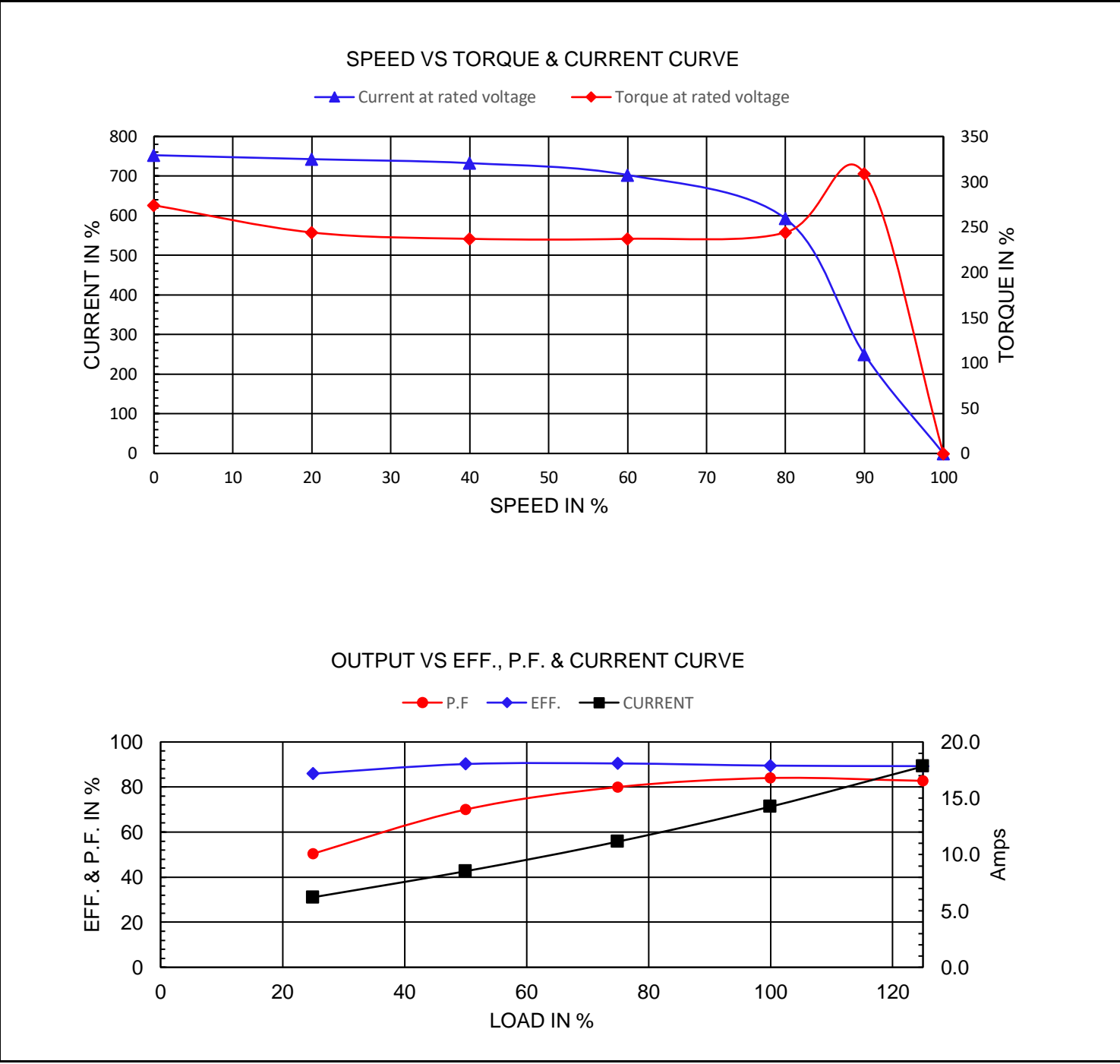
Worldwideelectric.net



Document Generated: 12-Dec-2023  
Document ID:

Customer:

Motor Type	PEWWE				
Output Rating (HP)	5	FL Speed	1745		
Full Load Torque	14.9 lb.ft	LRT (%FLT)	274	200 volt FLA	14.26
Rotor Wk <sup>2</sup>	0.474 lb-ft <sup>2</sup>	BDT (%FLT)	309		



# NAMEPLATE / WIRING

WorldWide Electric Corporation

1 (800) 808-2131

Worldwideelectric.net



Premium Efficiency Motor: **ODP5-18-200-184T**

Document Generated: 12-Dec-2023  
Document ID:

Customer:

## SAMPLE NAMEPLATE DATA

		<b>OPEN DRIP PROOF 3 PHASE MOTOR</b>						
Model :		Encl :		SN :				
HP :	Poles :	FR :	Ins : F	IP 23	Max Amb 40°C	Duty:Cont		
Hz :			CODE:		Design :			
Volts :			P.F. :		DE BRG :			
Amps :			Eff :		ODE BRG :			
RPM :			S.F. :		WT :		200 V	
					Date :			
<b>WorldWide Electric Corporation</b>								

<b>Model</b>	ODP5-18-200-184T	<b>Encl</b>	ODP		
<b>HP:</b>	5	<b>Poles:</b>	4	<b>FR:</b>	182/4T
<b>Hz:</b>	60	<b>Code:</b>	J	<b>Design</b>	B
<b>Volts:</b>	200	<b>P.F.:</b>	0.84	<b>DE BRG:</b>	6306ZZ
<b>Amps</b>	14.26	<b>Eff:</b>	89.5%	<b>ODE BRG:</b>	6305ZZ
<b>RPM</b>	1745	<b>S.F. :</b>	1.15	<b>WT:</b>	91.5 lbs.
				<b>Ins:</b>	F