

DATA SHEET

Premium Efficiency Motor: **ODP5-36-182T,**

60 Hz

WorldWide Electric Corporation

1 (800) 808-2131

Worldwideelectric.net



Document Generated: 8-Dec-2023
Document ID:

Customer:

| MOTOR INFORMATION | |
|-------------------------|-----------------------------|
| HP | 5 |
| RPM | 3600 |
| Phase | 3 |
| Frequency | 60 |
| Voltage | 230/460 |
| Frame Size | 182/4T |
| Enclosure | ODP |
| Degree of Protection | IP23 |
| Service Factor | 1.15 |
| Poles | 2 |
| Full Load Speed | 3509 |
| Insulation Class | F |
| Temp Rise | 80°C |
| NEMA Code Letter | J |
| Duty Cycle | S1 / Continuous |
| Slip | 2.53% |
| NEMA Design | B |
| Moment of Inertia | 0.151 lb.ft.^2 |
| Locked Rotor Time (Hot) | 12 seconds |
| Sound Pressure Level | 70 dB(A) |
| Number of Starts | 2 Cold / 1 Hot |
| Max Ambient Temperature | 40°C |
| Max Elevation | 1000 m.a.s.l (3300 f.a.s.l) |
| Mounting | F1 |
| Rotation | Bi-Directional |
| Area of Classification | Safe Area |
| Inverter Rating | 10:1 CT / 20:1 VT |
| Standard | NEMA MG 1 |
| Approvals | UL, CE |

| EFFICIENCY/POWER FACTOR | | |
|-------------------------|--------|-------|
| LOAD | EFF | P. F. |
| 100% | 86.5 % | 0.89 |
| 75% | 89.1 % | 0.86 |
| 50% | 88.2 % | 0.79 |

| TORQUE | | |
|-------------|-------|-------|
| FULL LOAD | LRT | BDT |
| 7.43 lb.ft. | 340 % | 352 % |

| AMPERAGE INFORMATION | | |
|----------------------|--------|--------|
| | 230V | 460V |
| Full Load Amps | 11.8A | 5.9A |
| Locked Rotor Amps | 94.02A | 47.01A |
| No Load Current | 3.64A | 1.82A |
| Usable at 208V | 6.52A | |

| BEARING INFORMATION | |
|-------------------------|----------|
| DE Bearing | 6306ZZ |
| ODE Bearing | 6305ZZ |
| Grease Type | NSK SN7 |
| DE Regreasing Interval | -- Hours |
| ODE Regreasing Interval | -- Hours |
| Grease Quantity | -- |

| ADDITIONAL DATA | |
|--------------------|------------|
| F2 Suitable | No |
| Shaft Material | AISI 1045 |
| Connection Diagram | 9 Lead Wye |
| Approximate Weight | 64.9 lbs. |

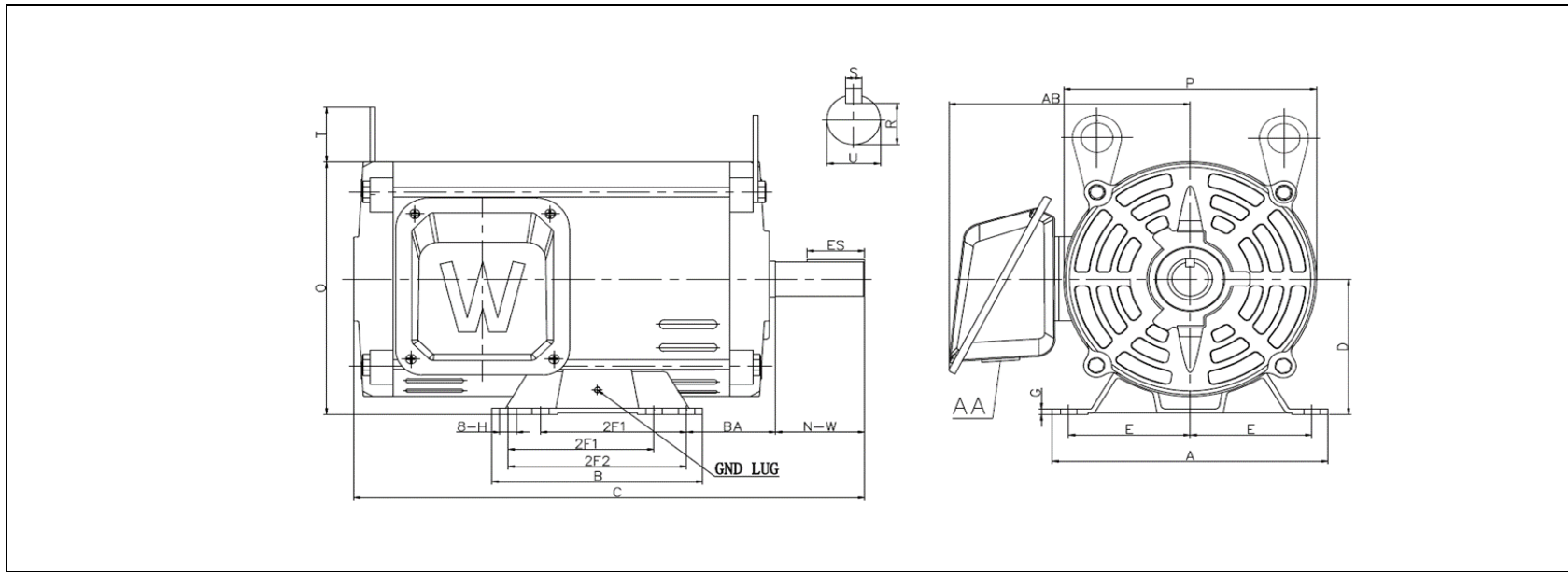
MOTOR DRAWING

Premium Efficiency Motor: **ODP5-36-182T**

WorldWide Electric Corporation

1 (800) 808-2131

Worldwideelectric.net



DIMENSION - INCHES

| MOUNTING | | | | | A | B | C | D | G | P | O | T | AB |
|----------|-----|-----|------|------|-----|-------|------|-----|------|------|------|-----|------|
| E | 2F1 | 2F2 | H | BA | | | | | | | | | |
| 3.75 | 4.5 | 5.5 | 0.41 | 2.75 | 8.5 | 6.495 | 16.4 | 4.5 | 0.41 | 7.72 | 8.36 | 1.6 | 7.55 |

| SHAFT & KEY | | | | |
|-------------|------|-------|------|-------|
| S | ES | R | N-W | U |
| 0.25 | 1.78 | 0.986 | 2.75 | 1.125 |

| T-BOX | GND LUG |
|-------|---------|
| AA | |
| 1.09 | M5*P0.8 |

PERFORMANCE CURVES

WorldWide Electric Corporation

1 (800) 808-2131

Worldwideelectric.net



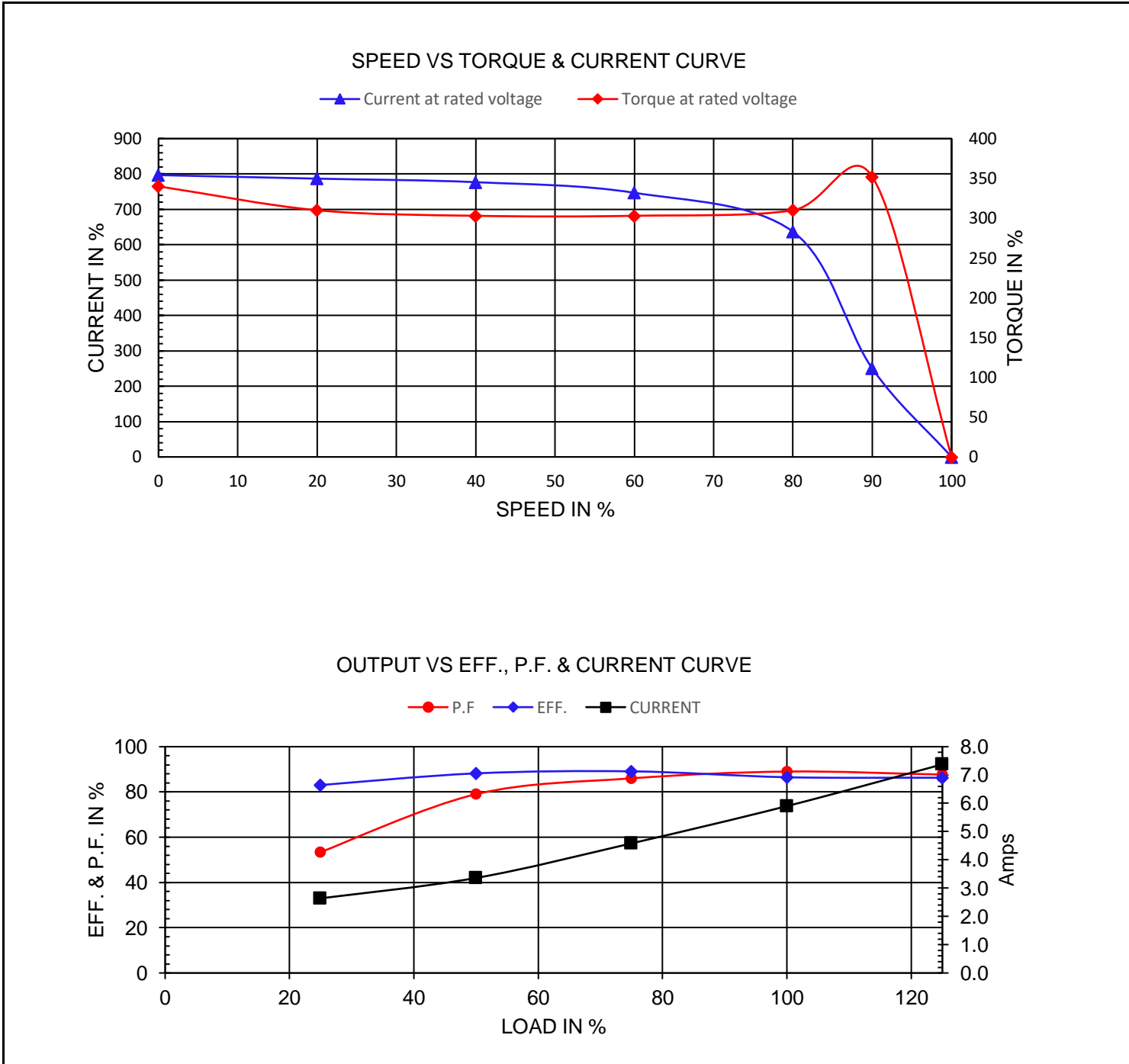
Premium Efficiency Motor:

ODP5-36-182T

Document Generated: 8-Dec-2023
Document ID:

Customer:

| | | | | | |
|-----------------------|-------|--------------------|--------------|------|--|
| Motor Type | ODP | | FL Speed | 3509 | |
| Output Rating (HP) | 5 | | LRT (%FLT) | 340 | |
| Full Load Torque | 7.43 | lb.ft | 460 volt FLA | 5.9 | |
| Rotor Wk ² | 0.865 | lb-ft ² | 230 volt FLA | 11.8 | |
| | | | BDT (%FLT) | 352 | |



NAMEPLATE / WIRING

WorldWide Electric Corporation

1 (800) 808-2131

Worldwideelectric.net



Premium Efficiency Motor: **ODP5-36-182T**

Document Generated: 8-Dec-2023
Document ID:

Customer:

SAMPLE NAMEPLATE DATA

| | | | | | | | | | |
|---------------------------------------|--------------------|--|------------------------|-------------------|---------------------|--------------------|--|--|--|
| | | OPEN DRIP PROOF 3 PHASE MOTOR | | | | | | | |
| Model : | | Encl : ODP | | SN : | | | | | |
| HP : | Poles : | FR : | Ins : F | IP 23 | Max Amb 40°C | Duty : Cont | | | |
| Hz : 60 | CODE : | | Hz : 50 | Design : B | | | | | |
| Volts : 230/460 | P.F. : | | Volts : 190/380 | DE BRG : | | | | | |
| Amps : | Eff. % | | Amps : | ODE BRG : | | | | | |
| RPM : | S.F. : 1.15 | | RPM : | WT : LBS | | | | | |
| | | | | S.F. : | Date : | | | | |
| WorldWide Electric Corporation | | | | | | | | | |

| | | | | | | | | |
|----------------------------|-------------------|-----------------------|------------------------|----------------|--|--|--|--|
| Model: ODP5-36-182T | | Encl: ODP | | | | | | |
| HP: 5 | Poles: 2 | Frame 182/4T | Ins Cl: F | IP IP23 | | | | |
| Hz: 60 | Code: J | Hz: 50 | Design: B | | | | | |
| Volts: 230/460 | P.F.: 0.89 | Volts: 190/380 | DE Brg: 6306ZZ | | | | | |
| Amps: 11.8/5.9 | Eff: 86.5% | Amps: 13.6/6.8 | ODE Brg: 6305ZZ | | | | | |
| RPM: 3509 | S.F.: 1.15 | RPM: 2919 | WT: 64.9 lbs. | | | | | |
| | | S.F.: 1.0 | | | | | | |