

# DATA SHEET

Premium Efficiency Motor: **ODP5-36-182TC,**

**60 Hz**

WorldWide Electric Corporation

1 (800) 808-2131

Worldwideelectric.net



Document Generated: 11-Dec-2023  
Document ID:

Customer:

MOTOR INFORMATION	
HP	5
RPM	3600
Phase	3
Frequency	60
Voltage	230/460
Frame Size	182/4TC
Enclosure	ODP
Degree of Protection	IP23
Service Factor	1.15
Poles	2
Full Load Speed	3509
Insulation Class	F
Temp Rise	80°C
NEMA Code Letter	J
Duty Cycle	S1 / Continuous
Slip	2.53%
NEMA Design	B
Moment of Inertia	0.151 lb.ft.^2
Locked Rotor Time (Hot)	12 seconds
Sound Pressure Level	70 dB(A)
Number of Starts	2 Cold / 1 Hot
Max Ambient Temperature	40°C
Max Elevation	1000 m.a.s.l (3300 f.a.s.l)
Mounting	F1
Rotation	Bi-Directional
Area of Classification	Safe Area
Inverter Rating	10:1 CT / 20:1 VT
Standard	NEMA MG 1
Approvals	UL, CE

EFFICIENCY/POWER FACTOR		
LOAD	EFF	P. F.
100%	86.5 %	0.89
75%	89.1 %	0.86
50%	88.2 %	0.79

TORQUE		
FULL LOAD	LRT	BDT
7.43 lb.ft.	340 %	352 %

AMPERAGE INFORMATION		
	230V	460V
Full Load Amps	11.8A	5.9A
Locked Rotor Amps	94.02A	47.01A
No Load Current	3.64A	1.82A
Usable at 208V	6.52A	

BEARING INFORMATION	
DE Bearing	6306ZZ
ODE Bearing	6305ZZ
Grease Type	NSK SN7
DE Regreasing Interval	-- Hours
ODE Regreasing Interval	-- Hours
Grease Quantity	--

ADDITIONAL DATA	
F2 Suitable	No
Shaft Material	AISI 1045
Connection Diagram	9 Lead Wye
Approximate Weight	64.9 lbs.

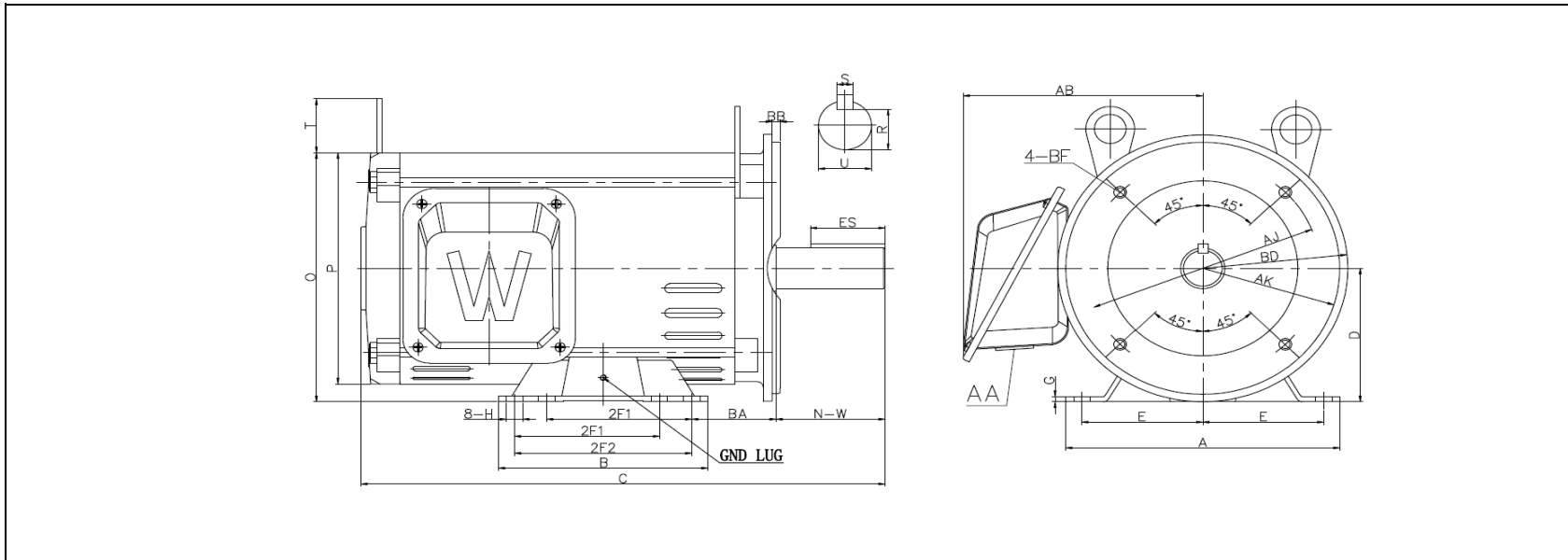
# MOTOR DRAWING

Premium Efficiency Motor: **ODP5-36-182TC**

WorldWide Electric Corporation

1 (800) 808-2131

Worldwideelectric.net



## DIMENSION - INCHES

MOUNTING					A	B	C	D	G	P	O	T	AB
E	2F1	2F2	H	BA									
3.75	4.5	5.5	0.41	2.75	8.5	6.495	16.4	4.5	0.41	7.72	8.36	1.6	7.55

SHAFT & KEY				
S	ES	R	N-W	U
0.25	1.78	0.986	2.75	1.125

T-BOX	GND LUG
AA	
1.09	M5*P0.8

FLANGE				
AK	BD	AJ	BF	BB
8.5	9	7.25	4*1/2-13 UNC	0.25

# PERFORMANCE CURVES

Premium Efficiency Motor:

**ODP5-36-182TC**

WorldWide Electric Corporation

1 (800) 808-2131

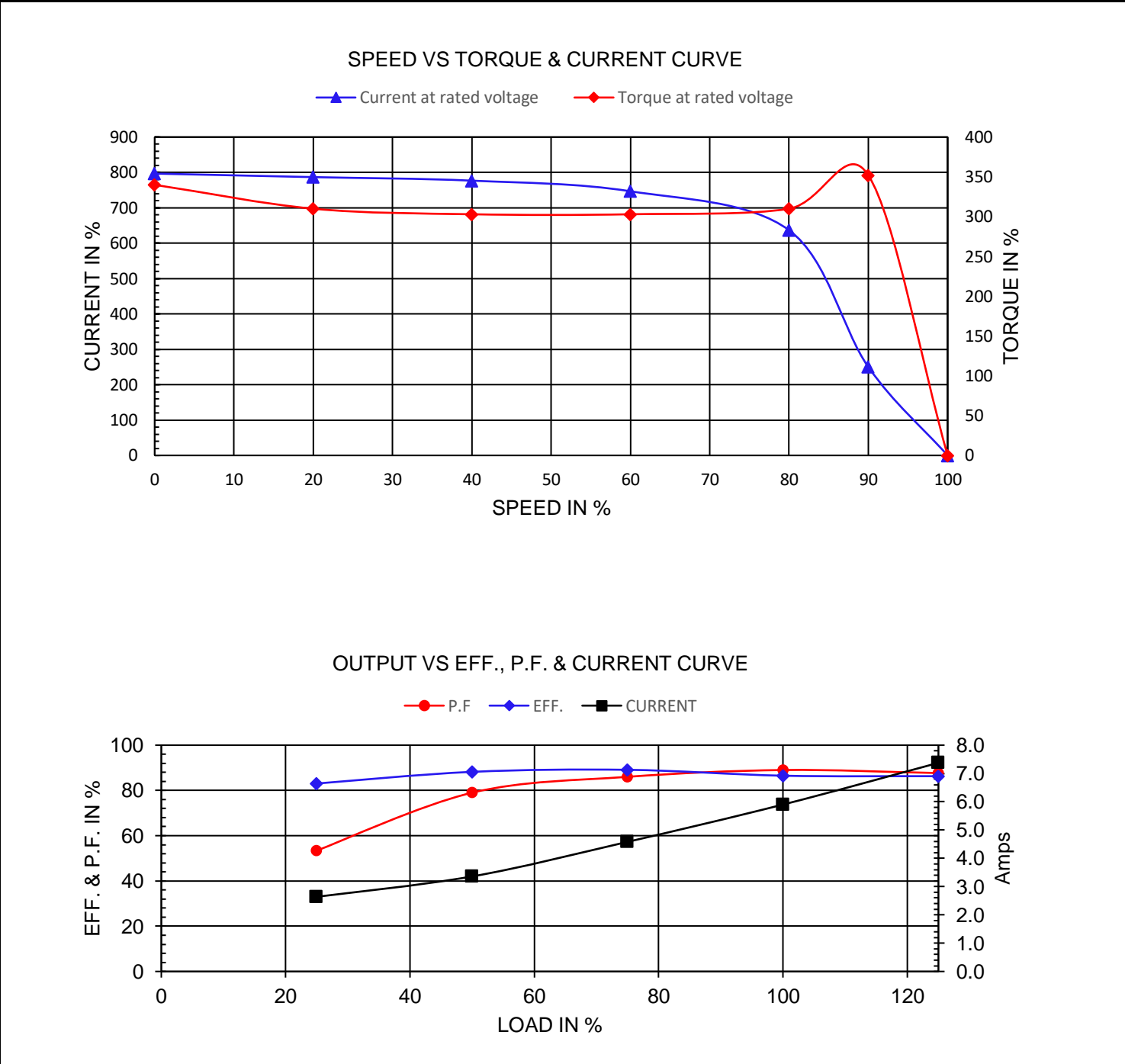
Worldwideelectric.net



Document Generated: 11-Dec-2023  
Document ID:

Customer:

Motor Type	ODP				
Output Rating (HP)	5		FL Speed	3509	
Full Load Torque	7.43	lb.ft	LRT (%FLT)	340	460 volt FLA 5.9
Rotor Wk <sup>2</sup>	0.865	lb-ft <sup>2</sup>	BDT (%FLT)	352	230 volt FLA 11.8



# NAMEPLATE / WIRING

WorldWide Electric Corporation

1 (800) 808-2131

Worldwideelectric.net



Premium Efficiency Motor: **ODP5-36-182TC**

Document Generated: 11-Dec-2023  
Document ID:

Customer:

## SAMPLE NAMEPLATE DATA

		<b>OPEN DRIP PROOF 3 PHASE MOTOR</b>						
<b>Model :</b>		<b>Encl :</b> ODP		<b>SN :</b>				4 5 6 
<b>HP :</b>	<b>Poles :</b>	<b>FR :</b>	<b>Ins :</b> F	<b>IP 23</b>	<b>Max Amb 40°C</b>	<b>Duty :</b> Cont		7 8 9 1 2 3 L1 L2 L3 <b>230 V</b>
<b>Hz :</b> 60	<b>CODE:</b>		<b>Hz :</b> 50	<b>Design :</b> B		<b>DE BRG :</b>		4 5 6 7 8 9 1 2 3 L1 L2 L3 <b>460 V</b>
<b>Volts :</b> 230/460	<b>P.F. :</b>		<b>Volts :</b> 190/380		<b>ODE BRG :</b>			
<b>Amps :</b>	<b>Eff: %</b>		<b>Amps :</b>		<b>WT: LBS</b>			
<b>RPM :</b>	<b>S.F. : 1.15</b>		<b>RPM :</b>		<b>Date :</b>			
<b>WorldWide Electric Corporation</b>								

<b>Model:</b> ODP5-36-182TC		<b>Encl:</b> ODP					
<b>HP:</b> 5	<b>Poles:</b> 2	<b>Frame</b> 182/4TC	<b>Ins Cl:</b> F	<b>IP</b> IP23			
<b>Hz:</b> 60	<b>Code:</b> J	<b>Hz:</b> 50	<b>Design:</b> B				
<b>Volts:</b> 230/460	<b>P.F.:</b> 0.89	<b>Volts:</b> 190/380	<b>DE Brg:</b> 6306ZZ				
<b>Amps:</b> 11.8/5.9	<b>Eff:</b> 86.5%	<b>Amps:</b> 13.6/6.8	<b>ODE Brg:</b> 6305ZZ				
<b>RPM:</b> 3509	<b>S.F.:</b> 1.15	<b>RPM:</b> 2919	<b>WT:</b> 64.9 lbs.				
		<b>S.F.:</b> 1.0					