

# DATA SHEET

Premium Efficiency Motor: **ODP50-12-365T,**

**60 Hz**

WorldWide Electric Corporation

1 (800) 808-2131

Worldwideelectric.net



Document Generated: 8-Dec-2023  
Document ID:

Customer:

MOTOR INFORMATION	
HP	50
RPM	1200
Phase	3
Frequency	60
Voltage	230/460
Frame Size	364/5T
Enclosure	ODP
Degree of Protection	IP23
Service Factor	1.15
Poles	6
Full Load Speed	1185
Insulation Class	F
Temp Rise	80°C
NEMA Code Letter	G
Duty Cycle	S1 / Continuous
Slip	1.29%
NEMA Design	B
Moment of Inertia	22.407 lb.ft.^2
Locked Rotor Time (Hot)	12 seconds
Sound Pressure Level	70 dB(A)
Number of Starts	2 Cold / 1 Hot
Max Ambient Temperature	40°C
Max Elevation	1000 m.a.s.l (3300 f.a.s.l)
Mounting	F1
Rotation	Bi-Directional
Area of Classification	Safe Area
Inverter Rating	10:1 CT / 20:1 VT
Standard	NEMA MG 1
Approvals	UL, CE

EFFICIENCY/POWER FACTOR		
LOAD	EFF	P. F.
100%	94.1 %	0.85
75%	94.6 %	0.82
50%	94.1 %	0.73

TORQUE		
FULL LOAD	LRT	BDT
220.8 lb.ft.	258 %	294 %

AMPERAGE INFORMATION		
	230V	460V
Full Load Amps	115.4A	57.7A
Locked Rotor Amps	737.8A	368.9A
No Load Current	41.8A	20.9A
Usable at 208V	63.8A	

BEARING INFORMATION	
DE Bearing	6314
ODE Bearing	6212
Grease Type	Mobil Polyrex EM
DE Regreasing Interval	2400 Hours
ODE Regreasing Interval	3600 Hours
Grease Quantity	26g/12g

ADDITIONAL DATA	
F2 Suitable	Yes
Shaft Material	AISI 1045
Connection Diagram	12 Lead Delta
Approximate Weight	796 lbs.

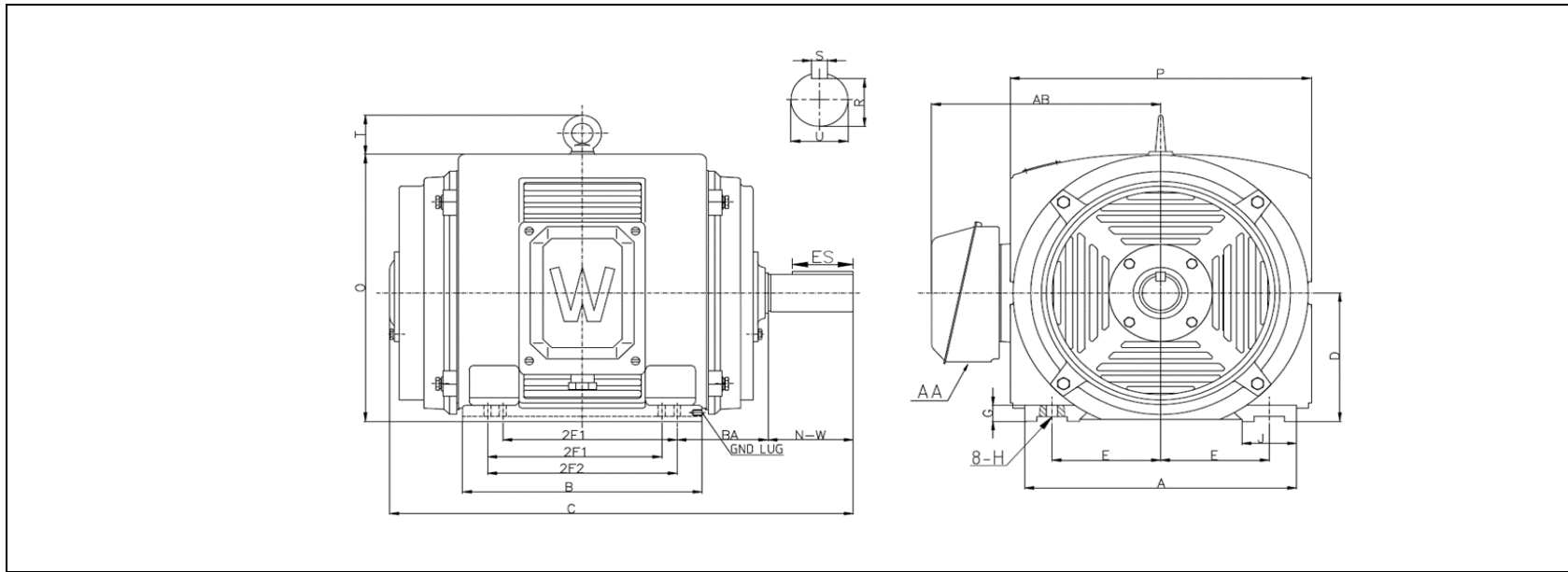
# MOTOR DRAWING

Premium Efficiency Motor: **ODP50-12-365T**

WorldWide Electric Corporation

1 (800) 808-2131

Worldwideelectric.net



## DIMENSION - INCHES

MOUNTING					A	B	C	D	G	P	O	T	AB
E	2F1	2F2	H	BA									
7	11.25	12.25	0.66	5.88	17.6	15.51	30.9	9	1.1	19.48	18.5	2.7	14.8

SHAFT & KEY				
S	ES	R	N-W	U
0.625	4.28	2.02	5.88	2.375

T-BOX	GND LUG
AA	
3	M10*P1.5

# PERFORMANCE CURVES

WorldWide Electric Corporation

1 (800) 808-2131

Worldwideelectric.net



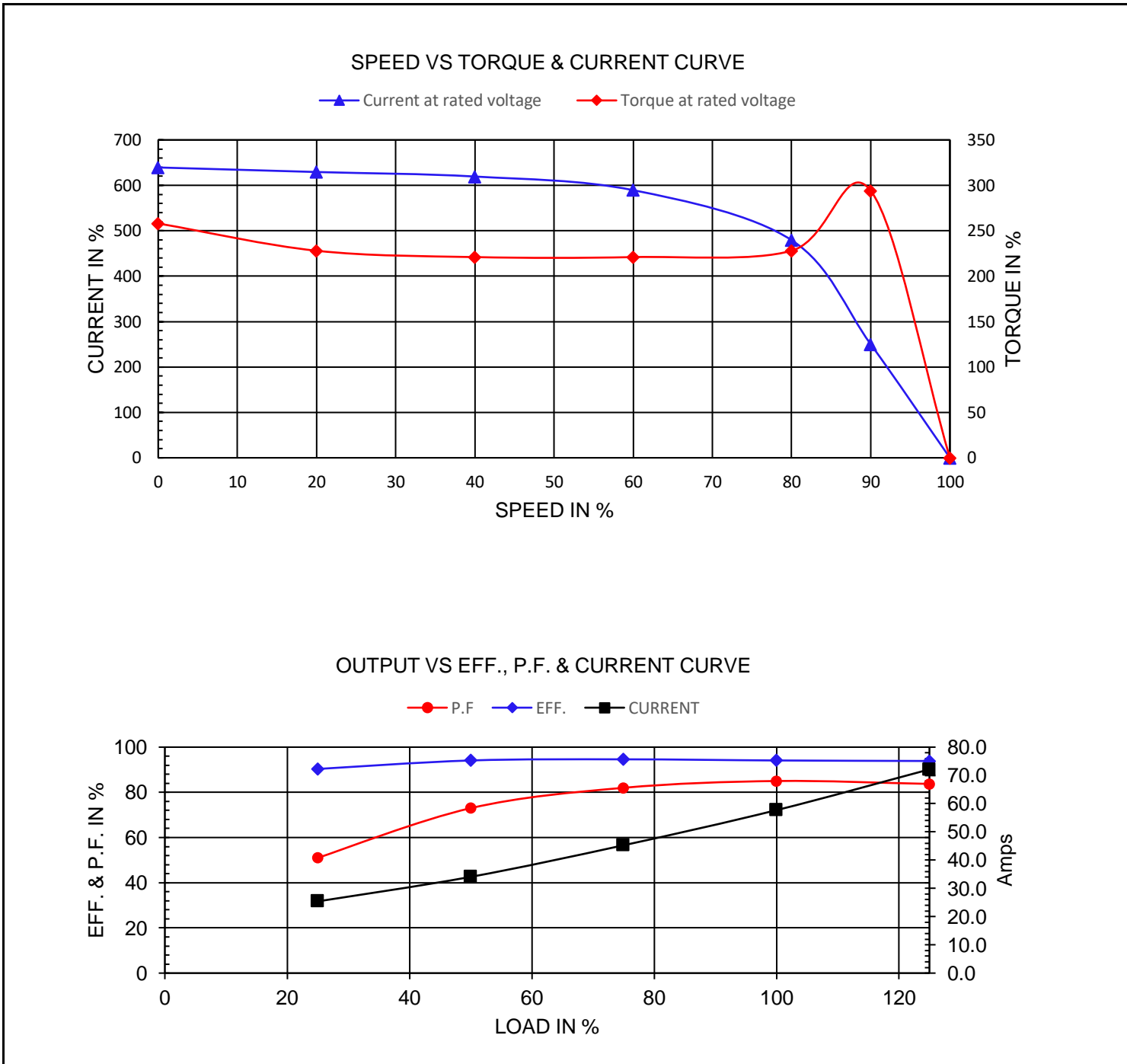
Premium Efficiency Motor:

**ODP50-12-365T**

Document Generated: 8-Dec-2023  
Document ID:

Customer:

Motor Type	ODP		FL Speed	1185	
Output Rating (HP)	50		LRT (%FLT)	258	460 volt FLA 57.7
Full Load Torque	220.8	lb.ft	BDT (%FLT)	294	230 volt FLA 115.4
Rotor Wk <sup>2</sup>	0.941	lb-ft <sup>2</sup>			



# NAMEPLATE / WIRING

WorldWide Electric Corporation

1 (800) 808-2131

Worldwideelectric.net



Premium Efficiency Motor: **ODP50-12-365T**

Document Generated: 8-Dec-2023  
Document ID:

Customer:

## SAMPLE NAMEPLATE DATA

		<b>OPEN DRIP PROOF 3 PHASE MOTOR</b>																									
Model :		Encl : ODP		SN :		<table border="0"> <tr><td>7</td><td>8</td><td>9</td></tr> <tr><td>6</td><td>4</td><td>5</td></tr> <tr><td>12</td><td>10</td><td>11</td></tr> <tr><td>1</td><td>2</td><td>3</td></tr> <tr><td>L1</td><td>L2</td><td>L3</td></tr> <tr><td colspan="3">230 V</td></tr> </table>			7	8	9	6	4	5	12	10	11	1	2	3	L1	L2	L3	230 V			
7	8	9																									
6	4	5																									
12	10	11																									
1	2	3																									
L1	L2	L3																									
230 V																											
HP :	Poles :	FR :	Ins : F	IP23	Max Amb 40°C	Duty:Cont																					
Hz : 60	CODE :		Hz : 50		Design : B																						
Volts : 230/460	P.F :		Volts : 190/380		DE BRG :																						
Amps :	Eff: %		Amps :		ODE BRG :																						
RPM :	S.F : 1.15		RPM :		WT : LBS																						
		S.F : 1.0		Date :			<table border="0"> <tr><td>7</td><td>8</td><td>9</td></tr> <tr><td>4</td><td>5</td><td>6</td></tr> <tr><td>12</td><td>10</td><td>11</td></tr> <tr><td>1</td><td>2</td><td>3</td></tr> <tr><td>L1</td><td>L2</td><td>L3</td></tr> <tr><td colspan="3">460 V</td></tr> </table>			7	8	9	4	5	6	12	10	11	1	2	3	L1	L2	L3	460 V		
7	8	9																									
4	5	6																									
12	10	11																									
1	2	3																									
L1	L2	L3																									
460 V																											
WorldWide Electric Corporation																											

<b>Model:</b> ODP50-12-365T		<b>Encl:</b> ODP						
<b>HP:</b> 50	<b>Poles:</b> 6	<b>Frame</b> 364/5T	<b>Ins Cl:</b> F	<b>IP</b>	IP23			
<b>Hz:</b> 60	<b>Code:</b> G	<b>Hz:</b> 50	<b>Design:</b> B					
<b>Volts:</b> 230/460	<b>P.F.:</b> 0.85	<b>Volts:</b> 190/380	<b>DE Brg:</b>	6314				
<b>Amps:</b> 115.4/57.7	<b>Eff:</b> 94.1%	<b>Amps:</b> 138.6/69.3	<b>ODE Brg:</b>	6212				
<b>RPM:</b> 1185	<b>S.F.:</b> 1.15	<b>RPM:</b> 975	<b>WT:</b>	796 lbs.				
		<b>S.F.:</b> 1.0						