

DATA SHEET

Premium Efficiency Motor: **ODP50-18-200-326T,**

60 Hz

WorldWide Electric Corporation

1 (800) 808-2131

Worldwideelectric.net



Document Generated: 12-Dec-2023
Document ID:

Customer:

MOTOR INFORMATION	
HP	50
RPM	1800
Phase	3
Frequency	60
Voltage	200
Frame Size	324/6T
Enclosure	ODP
Degree of Protection	IP23
Service Factor	1.15
Poles	4
Full Load Speed	1781
Insulation Class	F
Temp Rise	80°C
NEMA Code Letter	G
Duty Cycle	S1 / Continuous
Slip	1.07%
NEMA Design	B
Moment of Inertia	9.333 lb.ft.^2
Locked Rotor Time (Hot)	12 seconds
Sound Pressure Level	75 dB(A)
Number of Starts	2 Cold / 1 Hot
Max Ambient Temperature	40°C
Max Elevation	1000 m.a.s.l (3300 f.a.s.l)
Mounting	F1
Rotation	Bi-Directional
Area of Classification	Safe Area
Inverter Rating	10:1 CT / 20:1 VT
Standard	NEMA MG 1
Approvals	UL, CE

EFFICIENCY/POWER FACTOR		
LOAD	EFF	P. F.
100%	94.5 %	0.83
75%	94.8 %	0.79
50%	94.3 %	0.69

TORQUE		
FULL LOAD	LRT	BDT
146.7 lb.ft.	325 %	353 %

AMPERAGE INFORMATION	
	200V
Full Load Amps	136.39
Locked Rotor Amps	886.65A
No Load Current	53.13A

BEARING INFORMATION	
DE Bearing	6314Z
ODE Bearing	6212Z
Grease Type	Mobil Polyrex EM
DE Regreasing Interval	2400 Hours
ODE Regreasing Interval	3600 Hours
Grease Quantity	26g/12g

ADDITIONAL DATA	
F2 Suitable	Yes
Shaft Material	AISI 1045
Connection Diagram	6 Lead Delta
Approximate Weight	470 lbs.

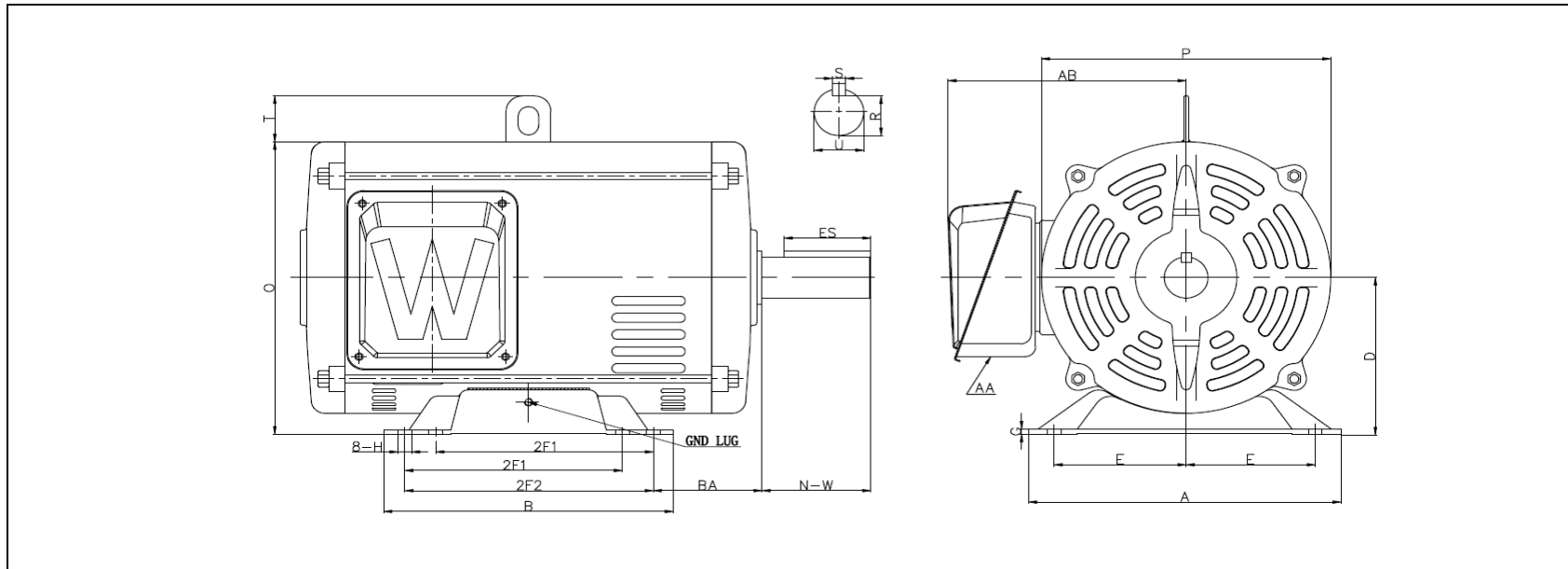
MOTOR DRAWING

Premium Efficiency Motor: **ODP50-18-200-326T**

WorldWide Electric Corporation

1 (800) 808-2131

Worldwideelectric.net



DIMENSION - INCHES

MOUNTING					A	B	C	D	G	P	O	T	AB
E	2F1	2F2	H	BA									
6.25	10.5	12	0.66	5.25	15.08	14	27.8	8	0.275	14	15	2.36	13.1

SHAFT & KEY				
S	ES	R	N-W	U
0.5	3.91	1.845	5.25	2.125

T-BOX	GND LUG
AA	
2.5	M8*P1.25

PERFORMANCE CURVES

Premium Efficiency Motor:

ODP50-18-200-326T

WorldWide Electric Corporation

1 (800) 808-2131

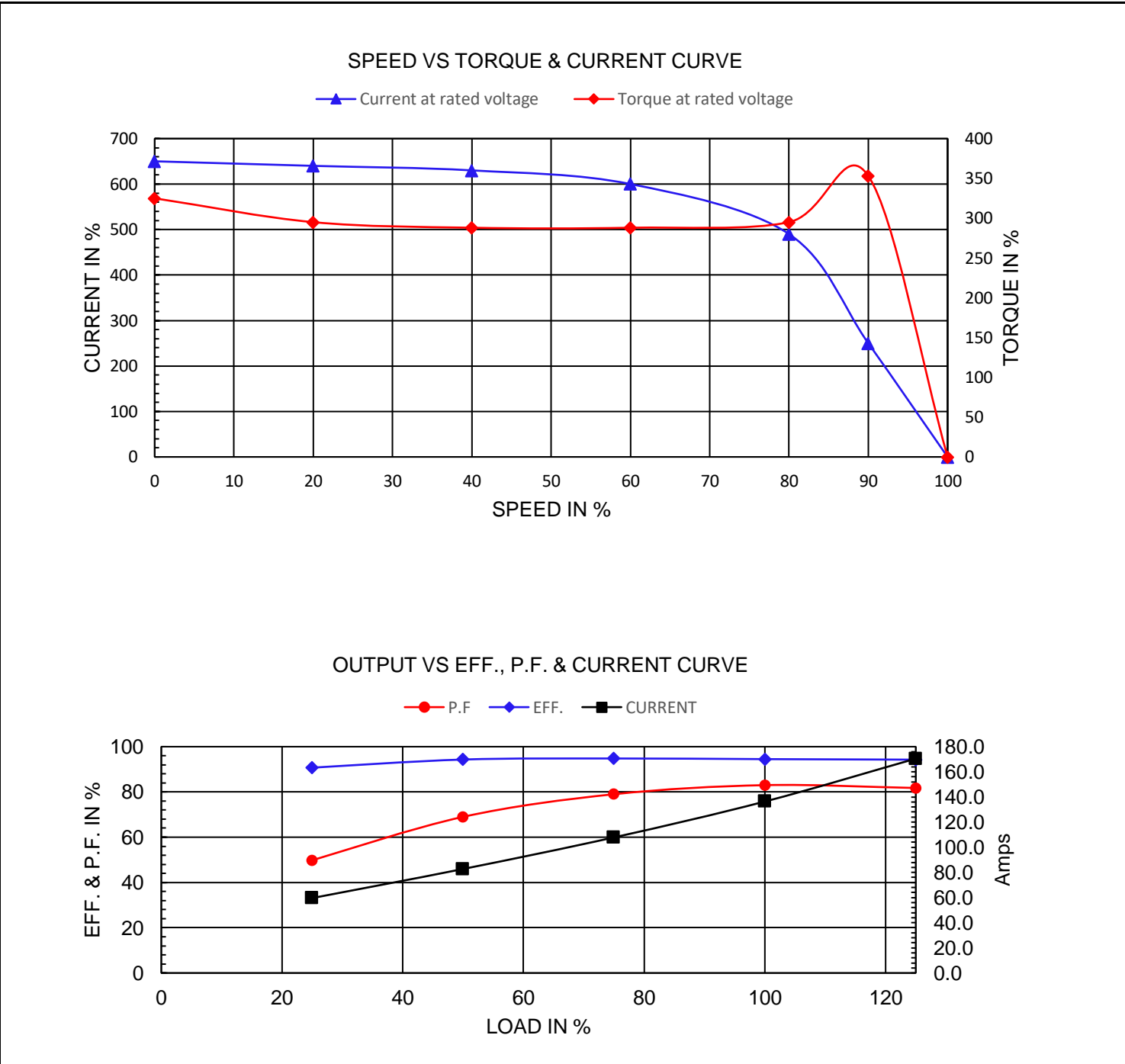
Worldwideelectric.net



Document Generated: 12-Dec-2023
Document ID:

Customer:

Motor Type	PEWWE				
Output Rating (HP)	50	FL Speed	1781		
Full Load Torque	146.7 lb.ft	LRT (%FLT)	325	200 volt FLA	136.39
Rotor Wk ²	9.333 lb-ft ²	BDT (%FLT)	353		



NAMEPLATE / WIRING

WorldWide Electric Corporation

1 (800) 808-2131

Worldwideelectric.net



Premium Efficiency Motor: **ODP50-18-200-326T**

Document Generated: 12-Dec-2023
Document ID:

Customer:

SAMPLE NAMEPLATE DATA

		OPEN DRIP PROOF 3 PHASE MOTOR									
Model :		Encl :		SN :							
HP :	Poles :	FR :	Ins : F	IP 23	Max Amb 40°C	Duty:Cont					
Hz :			CODE:			Design :					
Volts :			P.F. :			DE BRG :					
Amps :			Eff :			ODE BRG :					
RPM :			S.F. :			WT :					
						Date :					
WorldWide Electric Corporation											

Model	ODP50-18-200-326T	Encl	ODP		
HP:	50	Poles:	4	FR:	324/6T
Hz:	60	Code:	G	Design	B
Volts:	200	P.F.:	0.83	DE BRG:	6314Z
Amps	136.39	Eff:	94.5%	ODE BRG:	6212Z
RPM	1781	S.F. :	1.15	WT:	470 lbs.
				Ins:	F