

DATA SHEET

Premium Efficiency Motor: **ODP50-36-200-324TS,**

60 Hz

WorldWide Electric Corporation

1 (800) 808-2131

Worldwideelectric.net



Document Generated: 12-Dec-2023
Document ID:

Customer:

MOTOR INFORMATION	
HP	50
RPM	3600
Phase	3
Frequency	60
Voltage	200
Frame Size	324/6TS
Enclosure	ODP
Degree of Protection	IP23
Service Factor	1.15
Poles	2
Full Load Speed	3556
Insulation Class	F
Temp Rise	80°C
NEMA Code Letter	G
Duty Cycle	S1 / Continuous
Slip	1.23%
NEMA Design	B
Moment of Inertia	2.874 lb.ft.^2
Locked Rotor Time (Hot)	12 seconds
Sound Pressure Level	79 dB(A)
Number of Starts	2 Cold / 1 Hot
Max Ambient Temperature	40°C
Max Elevation	1000 m.a.s.l (3300 f.a.s.l)
Mounting	F1
Rotation	Bi-Directional
Area of Classification	Safe Area
Inverter Rating	10:1 CT / 20:1 VT
Standard	NEMA MG 1
Approvals	UL, CE

EFFICIENCY/POWER FACTOR		
LOAD	EFF	P. F.
100%	93.0 %	0.89
75%	93.0 %	0.88
50%	91.9 %	0.83

TORQUE		
FULL LOAD	LRT	BDT
73.15 lb.ft.	427 %	483 %

AMPERAGE INFORMATION	
	200V
Full Load Amps	129.03
Locked Rotor Amps	863.19A
No Load Current	32.66A

BEARING INFORMATION	
DE Bearing	6314Z
ODE Bearing	6212Z
Grease Type	Mobil Polyrex EM
DE Regreasing Interval	2400 Hours
ODE Regreasing Interval	3600 Hours
Grease Quantity	26g/12g

ADDITIONAL DATA	
F2 Suitable	Yes
Shaft Material	AISI 1045
Connection Diagram	6 Lead Delta
Approximate Weight	418 lbs.

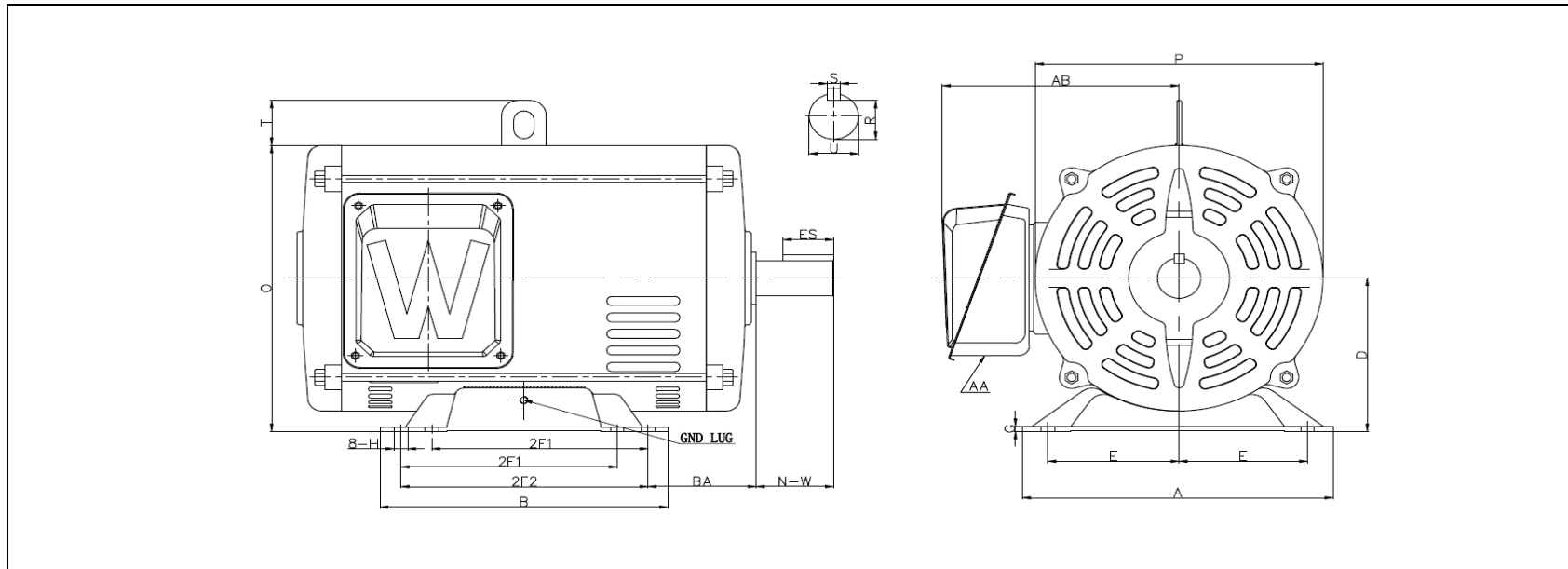
MOTOR DRAWING

Premium Efficiency Motor: **ODP50-36-200-324TS**

WorldWide Electric Corporation

1 (800) 808-2131

Worldwideelectric.net



DIMENSION - INCHES

MOUNTING					A	B	C	D	G	P	O	T	AB
E	2F1	2F2	H	BA									
6.25	10.5	12	0.66	5.25	15.08	14	26.3	8	0.275	14	15	2.36	13.1

SHAFT & KEY				
S	ES	R	N-W	U
0.5	2.03	1.591	3.75	1.875

T-BOX	GND LUG
AA	
2.5	M8*P1.25

PERFORMANCE CURVES

WorldWide Electric Corporation

1 (800) 808-2131

Worldwideelectric.net

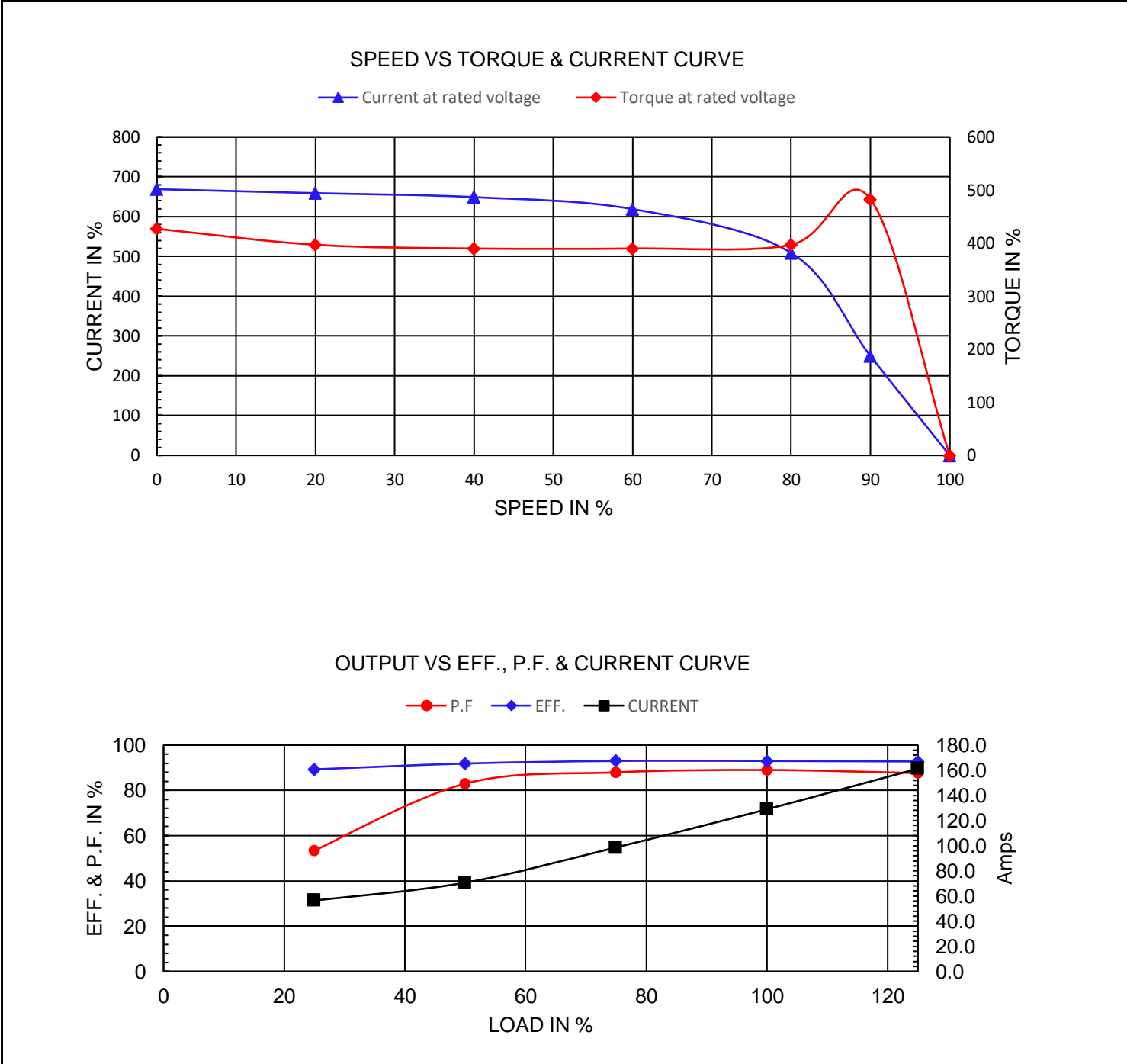


Premium Efficiency Motor:

ODP50-36-200-324TS

Document Generated: 12-Dec-2023	Customer:
Document ID:	

Motor Type	PEWWE		FL Speed	3556	
Output Rating (HP)	50		LRT (%FLT)	427	
Full Load Torque	73.15 lb.ft		200 volt FLA	129.03	
Rotor Wk ²	2.874 lb-ft ²		BDT (%FLT)	483	



NAMEPLATE / WIRING

WorldWide Electric Corporation

1 (800) 808-2131

Worldwideelectric.net



Premium Efficiency Motor: **ODP50-36-200-324TS**

Document Generated: 12-Dec-2023
Document ID:

Customer:

SAMPLE NAMEPLATE DATA

		OPEN DRIP PROOF 3 PHASE MOTOR									
Model :		Encl :		SN :							
HP :	Poles :	FR :	Ins : F	IP 23	Max Amb 40°C	Duty:Cont					
Hz :				CODE:		Design :					
Volts :				P.F. :		DE BRG :					
Amps :				Eff :		ODE BRG :					
RPM :				S.F. :		WT :					
						Date :					
WorldWide Electric Corporation											

Model	ODP50-36-200-324TS	Encl	ODP		
HP:	50	Poles:	2	FR:	324/6TS
Hz:	60	Code:	G	Design	B
Volts:	200	P.F.:	0.89	DE BRG:	6314Z
Amps	129.03	Eff:	93.0%	ODE BRG:	6212Z
RPM	3556	S.F. :	1.15	WT:	418 lbs.
				Ins:	F