

DATA SHEET

Premium Efficiency Motor: **ODP50-36-324TS,**

60 Hz

WorldWide Electric Corporation

1 (800) 808-2131

Worldwideelectric.net



Document Generated: 8-Dec-2023
Document ID:

Customer:

MOTOR INFORMATION	
HP	50
RPM	3600
Phase	3
Frequency	60
Voltage	230/460
Frame Size	324/6TS
Enclosure	ODP
Degree of Protection	IP23
Service Factor	1.15
Poles	2
Full Load Speed	3556
Insulation Class	F
Temp Rise	80°C
NEMA Code Letter	G
Duty Cycle	S1 / Continuous
Slip	1.23%
NEMA Design	B
Moment of Inertia	2.874 lb.ft.^2
Locked Rotor Time (Hot)	12 seconds
Sound Pressure Level	79 dB(A)
Number of Starts	2 Cold / 1 Hot
Max Ambient Temperature	40°C
Max Elevation	1000 m.a.s.l (3300 f.a.s.l)
Mounting	F1
Rotation	Bi-Directional
Area of Classification	Safe Area
Inverter Rating	10:1 CT / 20:1 VT
Standard	NEMA MG 1
Approvals	UL, CE

EFFICIENCY/POWER FACTOR		
LOAD	EFF	P. F.
100%	93.0 %	0.89
75%	93.0 %	0.88
50%	91.9 %	0.83

TORQUE		
FULL LOAD	LRT	BDT
73.15 lb.ft.	427 %	483 %

AMPERAGE INFORMATION		
	230V	460V
Full Load Amps	112.2A	56.1A
Locked Rotor Amps	750.6A	375.3A
No Load Current	28.4A	14.2A
Usable at 208V	62.03A	

BEARING INFORMATION	
DE Bearing	6314Z
ODE Bearing	6212Z
Grease Type	Mobil Polyrex EM
DE Regreasing Interval	2400 Hours
ODE Regreasing Interval	3600 Hours
Grease Quantity	26g/12g

ADDITIONAL DATA	
F2 Suitable	Yes
Shaft Material	AISI 1045
Connection Diagram	12 Lead Delta
Approximate Weight	418 lbs.

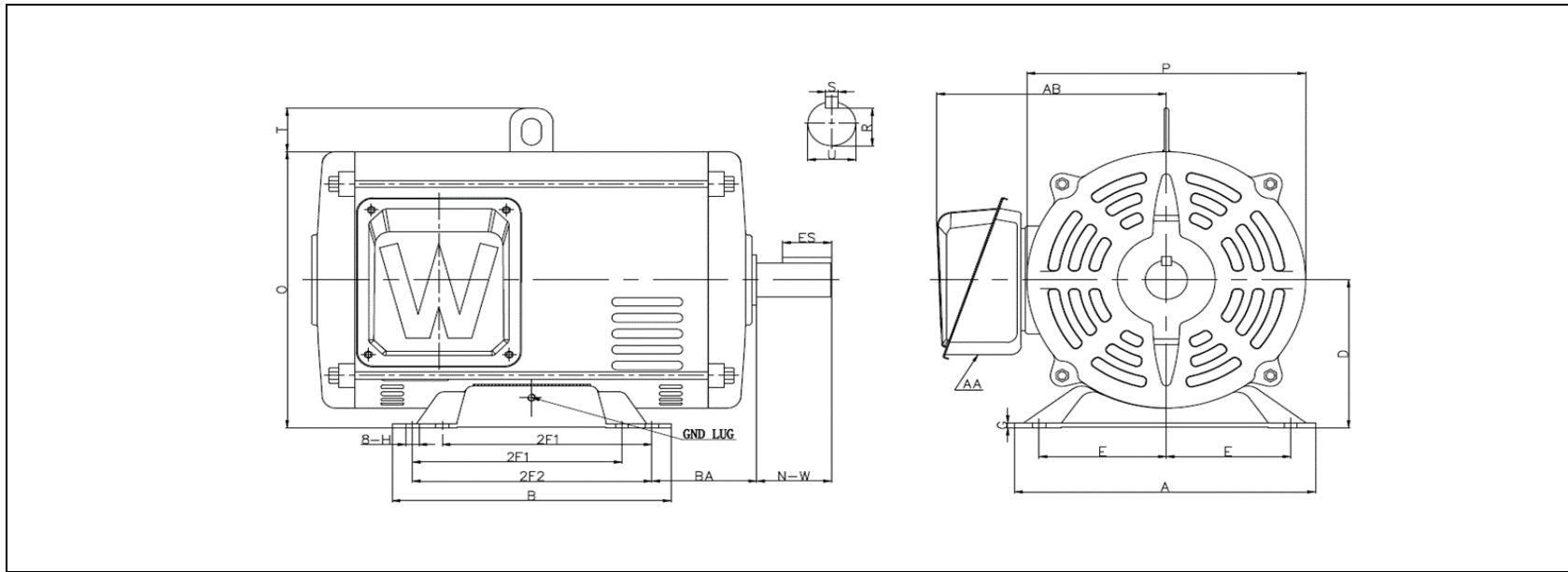
MOTOR DRAWING

Premium Efficiency Motor: **ODP50-36-324TS**

WorldWide Electric Corporation

1 (800) 808-2131

Worldwideelectric.net



DIMENSION - INCHES

MOUNTING					A	B	C	D	G	P	O	T	AB
E	2F1	2F2	H	BA									
6.25	10.5	12	0.66	5.25	15.08	14	26.3	8	0.275	14	15	2.36	13.1

SHAFT & KEY				
S	ES	R	N-W	U
0.5	2.03	1.591	3.75	1.875

T-BOX	GND LUG
AA	
2.5	M8*P1.25

PERFORMANCE CURVES

Premium Efficiency Motor:

ODP50-36-324TS

WorldWide Electric Corporation

1 (800) 808-2131

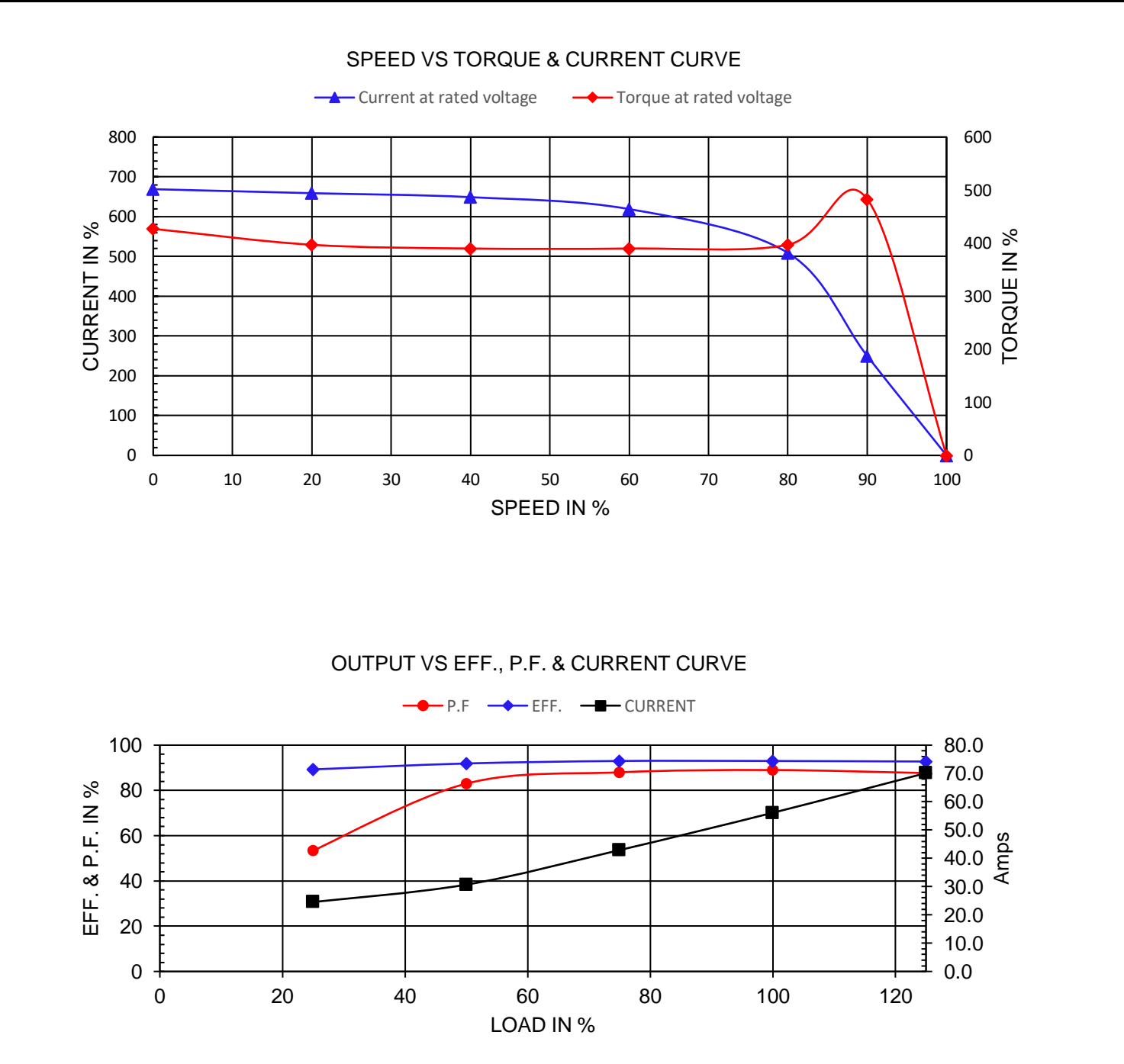
Worldwideelectric.net



Document Generated: 8-Dec-2023
Document ID:

Customer:

Motor Type	ODP				
Output Rating (HP)	50	FL Speed	3556		
Full Load Torque	73.15 lb.ft	LRT (%FLT)	427	460 volt FLA	56.1
Rotor Wk ²	0.93 lb-ft ²	BDT (%FLT)	483	230 volt FLA	112.2



NAMEPLATE / WIRING

WorldWide Electric Corporation

1 (800) 808-2131

Worldwideelectric.net



Premium Efficiency Motor: **ODP50-36-324TS**

Document Generated: 8-Dec-2023
Document ID:

Customer:

SAMPLE NAMEPLATE DATA

		OPEN DRIP PROOF 3 PHASE MOTOR						
Model :		Encl : ODP		SN :				
HP :	Poles :	FR :	Ins : F	IP 23	Max Amb 40°C	Duty:Cont		
Hz : 60	CODE:		Hz : 50	Design : B		L1 L2 L3 230 V		
Volts : 230/460	P.F. :		Volts : 190/380	DE BRG :				
Amps :	Eff : %	Amps :	ODE BRG :		WT : LBS		L1 L2 L3	
RPM :	S.F. : 1.15	RPM :	Date :		460 V			
WorldWide Electric Corporation								

Model: ODP50-36-324TS		Encl: ODP					
HP: 50	Poles: 2	Frame 324/6TS	Ins Cl: F	IP IP23			
Hz: 60	Code: G	Hz: 50	Design: B				
Volts: 230/460	P.F.: 0.89	Volts: 190/380	DE Brg: 6314Z				
Amps: 112.2/56.1	Eff: 93.0%	Amps: 134.6/67.3	ODE Brg: 6212Z				
RPM: 3556	S.F.: 1.15	RPM: 2923	WT: 418 lbs.				
		S.F.: 1.0					