

DATA SHEET

Premium Efficiency Motor: **ODP60-18-364T,**

60 Hz

WorldWide Electric Corporation

1 (800) 808-2131

Worldwideelectric.net



Document Generated: 8-Dec-2023
Document ID:

Customer:

MOTOR INFORMATION	
HP	60
RPM	1800
Phase	3
Frequency	60
Voltage	230/460
Frame Size	364/5T
Enclosure	ODP
Degree of Protection	IP23
Service Factor	1.15
Poles	4
Full Load Speed	1782
Insulation Class	F
Temp Rise	80°C
NEMA Code Letter	F
Duty Cycle	S1 / Continuous
Slip	0.99%
NEMA Design	B
Moment of Inertia	12.031 lb.ft.^2
Locked Rotor Time (Hot)	12 seconds
Sound Pressure Level	75 dB(A)
Number of Starts	2 Cold / 1 Hot
Max Ambient Temperature	40°C
Max Elevation	1000 m.a.s.l (3300 f.a.s.l)
Mounting	F1
Rotation	Bi-Directional
Area of Classification	Safe Area
Inverter Rating	10:1 CT / 20:1 VT
Standard	NEMA MG 1
Approvals	UL, CE

EFFICIENCY/POWER FACTOR		
LOAD	EFF	P. F.
100%	95.0 %	0.84
75%	95.0 %	0.81
50%	94.5 %	0.73

TORQUE		
FULL LOAD	LRT	BDT
177.8 lb.ft.	165 %	249 %

AMPERAGE INFORMATION		
	230V	460V
Full Load Amps	142.4A	71.2A
Locked Rotor Amps	806.8A	403.4A
No Load Current	50.2A	25.1A
Usable at 208V	78.73A	

BEARING INFORMATION	
DE Bearing	6314
ODE Bearing	6212
Grease Type	Mobil Polyrex EM
DE Regreasing Interval	2400 Hours
ODE Regreasing Interval	3600 Hours
Grease Quantity	26g/12g

ADDITIONAL DATA	
F2 Suitable	Yes
Shaft Material	AISI 1045
Connection Diagram	12 Lead Delta
Approximate Weight	715 lbs.

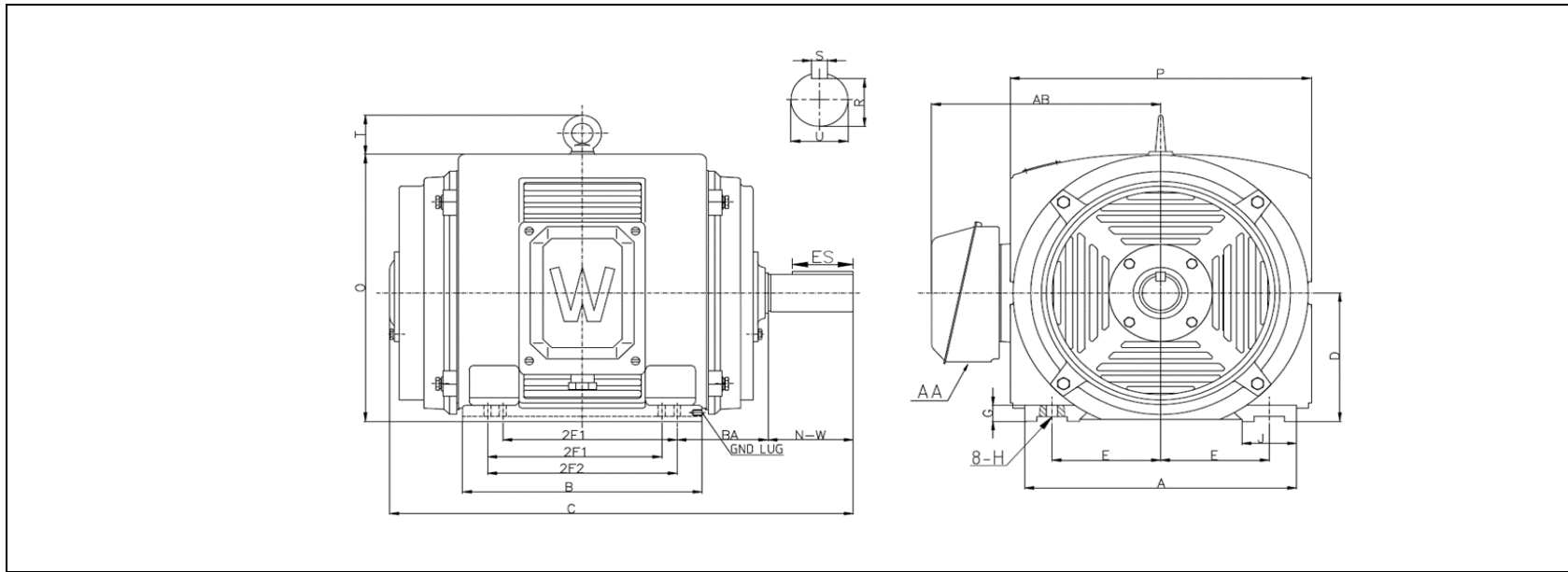
MOTOR DRAWING

Premium Efficiency Motor: **ODP60-18-364T**

WorldWide Electric Corporation

1 (800) 808-2131

Worldwideelectric.net



DIMENSION - INCHES

MOUNTING					A	B	C	D	G	P	O	T	AB
E	2F1	2F2	H	BA									
7	11.25	12.25	0.66	5.88	17.6	15.51	30.9	9	1.1	19.48	18.5	2.7	14.8

SHAFT & KEY				
S	ES	R	N-W	U
0.625	4.28	2.02	5.88	2.375

T-BOX	GND LUG
AA	
3	M10*P1.5

PERFORMANCE CURVES

Premium Efficiency Motor:

ODP60-18-364T

WorldWide Electric Corporation

1 (800) 808-2131

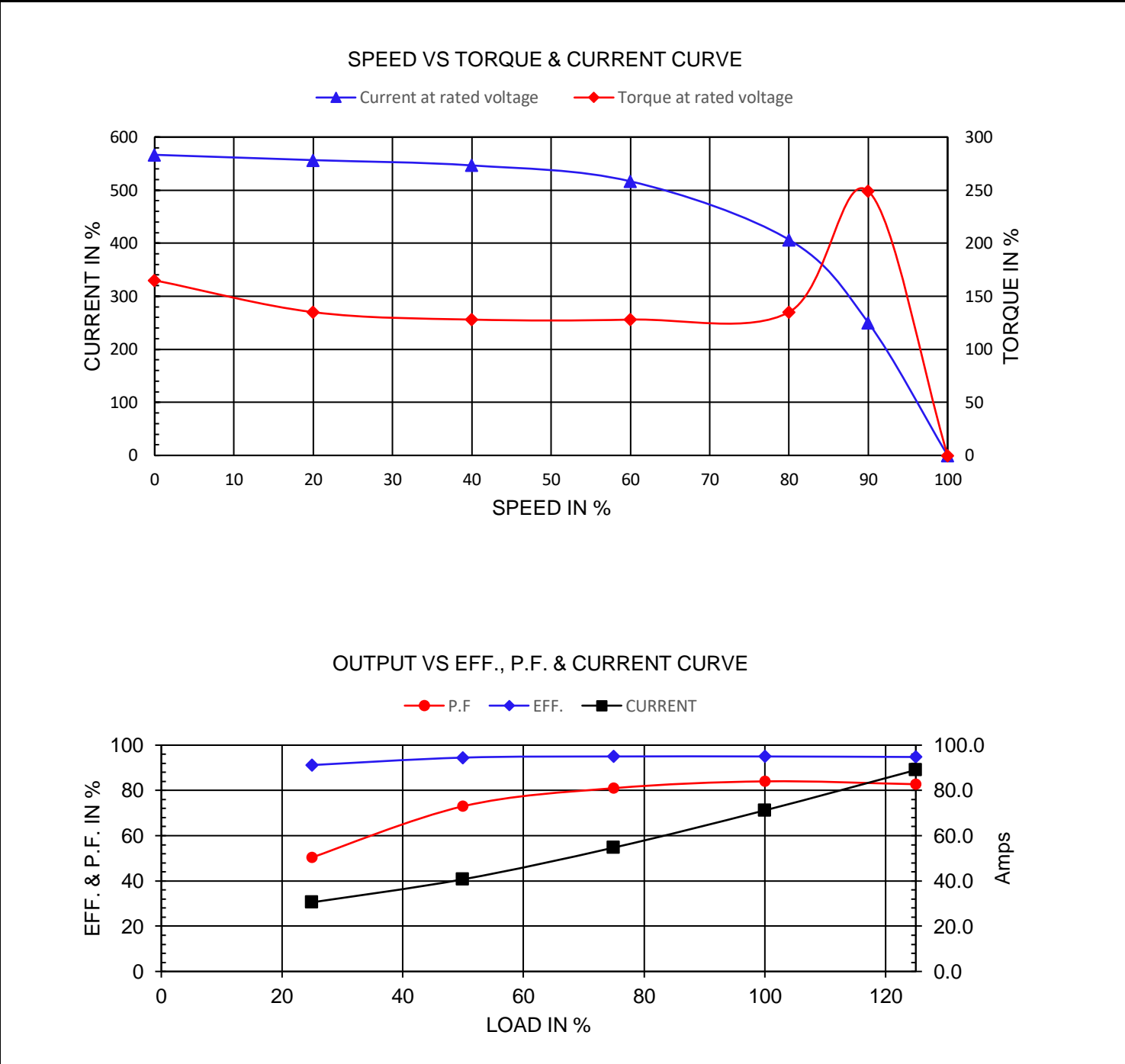
Worldwideelectric.net



Document Generated: 8-Dec-2023
Document ID:

Customer:

Motor Type	ODP		FL Speed	1782	
Output Rating (HP)	60		LRT (%FLT)	165	460 volt FLA 71.2
Full Load Torque	177.8	lb.ft	BDT (%FLT)	249	230 volt FLA 142.4
Rotor Wk ²	0.95	lb-ft ²			



NAMEPLATE / WIRING

WorldWide Electric Corporation

1 (800) 808-2131

Worldwideelectric.net



Premium Efficiency Motor: **ODP60-18-364T**

Document Generated: 8-Dec-2023
Document ID:

Customer:

SAMPLE NAMEPLATE DATA

		OPEN DRIP PROOF 3 PHASE MOTOR										
Model :		Encl : ODP		SN :								
HP :	Poles :	FR :	Ins : F	IP23	Max Amb 40°C	Duty:Cont						
Hz : 60	CODE :		Hz : 50		Design : B		7	8	9			
Volts : 230/460	P.F :		Volts : 190/380		DE BRG :		6	4	5			
Amps :	Eff: %		Amps :		ODE BRG :		12	10	11			
RPM :	S.F : 1.15		RPM :		WT : LBS		1	2	3			
		S.F : 1.0		Date :								
WorldWide Electric Corporation										L1	L2	L3
										460 V		

Model: ODP60-18-364T		Encl: ODP								
HP: 60	Poles: 4	Frame 364/5T	Ins Cl: F	IP	IP23					
Hz: 60	Code: F	Hz: 50	Design: B							
Volts: 230/460	P.F.: 0.84	Volts: 190/380	DE Brg: 6314							
Amps: 142.4/71.2	Eff: 95.0%	Amps: 173.8/86.9	ODE Brg: 6212							
RPM: 1782	S.F.: 1.15	RPM: 1476	WT: 715 lbs.							
		S.F.: 1.0								