

DATA SHEET

Premium Efficiency Motor: **ODP60-36-326TSC,**

60 Hz

WorldWide Electric Corporation

1 (800) 808-2131

Worldwideelectric.net



Document Generated: 11-Dec-2023
Document ID:

Customer:

MOTOR INFORMATION	
HP	60
RPM	3600
Phase	3
Frequency	60
Voltage	230/460
Frame Size	324/6TSC
Enclosure	ODP
Degree of Protection	IP23
Service Factor	1.15
Poles	2
Full Load Speed	3552
Insulation Class	F
Temp Rise	80°C
NEMA Code Letter	F
Duty Cycle	S1 / Continuous
Slip	1.33%
NEMA Design	B
Moment of Inertia	3.197 lb.ft.^2
Locked Rotor Time (Hot)	12 seconds
Sound Pressure Level	80 dB(A)
Number of Starts	2 Cold / 1 Hot
Max Ambient Temperature	40°C
Max Elevation	1000 m.a.s.l (3300 f.a.s.l)
Mounting	F1
Rotation	Bi-Directional
Area of Classification	Safe Area
Inverter Rating	10:1 CT / 20:1 VT
Standard	NEMA MG 1
Approvals	UL, CE

EFFICIENCY/POWER FACTOR		
LOAD	EFF	P. F.
100%	93.6 %	0.88
75%	94.3 %	0.87
50%	93.6 %	0.82

TORQUE		
FULL LOAD	LRT	BDT
89.2 lb.ft.	295 %	351 %

AMPERAGE INFORMATION		
	230V	460V
Full Load Amps	135.6A	67.8A
Locked Rotor Amps	826.6A	413.3A
No Load Current	33.8A	16.9A
Usable at 208V	74.97A	

BEARING INFORMATION	
DE Bearing	6314Z
ODE Bearing	6212Z
Grease Type	Mobil Polyrex EM
DE Regreasing Interval	2400 Hours
ODE Regreasing Interval	3600 Hours
Grease Quantity	26g/12g

ADDITIONAL DATA	
F2 Suitable	Yes
Shaft Material	AISI 1045
Connection Diagram	12 Lead Delta
Approximate Weight	455 lbs.

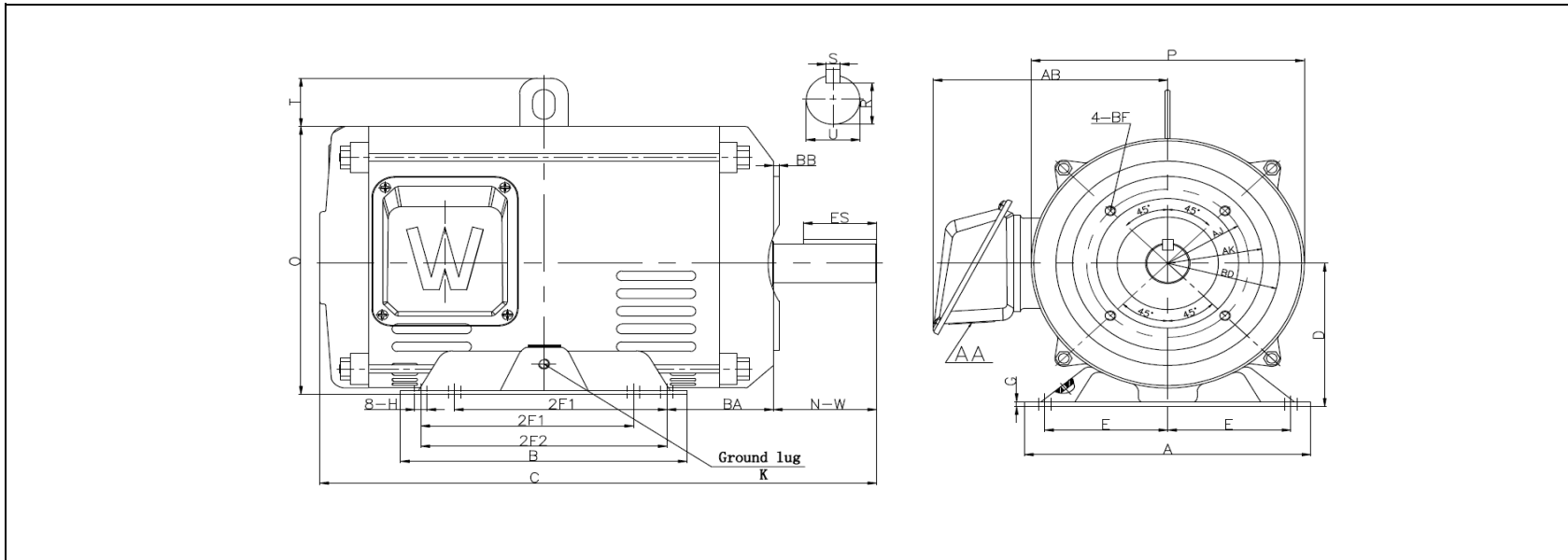
MOTOR DRAWING

Premium Efficiency Motor: **ODP60-36-326TSC**

WorldWide Electric Corporation

1 (800) 808-2131

Worldwideelectric.net



DIMENSION - INCHES

MOUNTING					A	B	C	D	G	P	O	T	AB
E	2F1	2F2	H	BA									
6.25	10.5	12	0.66	5.25	15.08	14	26.3	8	0.275	14	15	2.36	13.1

SHAFT & KEY				
S	ES	R	N-W	U
0.5	2.03	1.591	3.75	1.875

T-BOX	GND LUG
AA	M8*P1.25
2.5	

FLANGE				
AK	BD	AJ	BF	BB
12.5	14	11	4*1/2-13 UNC	0.25

PERFORMANCE CURVES

Premium Efficiency Motor:

ODP60-36-326TSC

WorldWide Electric Corporation

1 (800) 808-2131

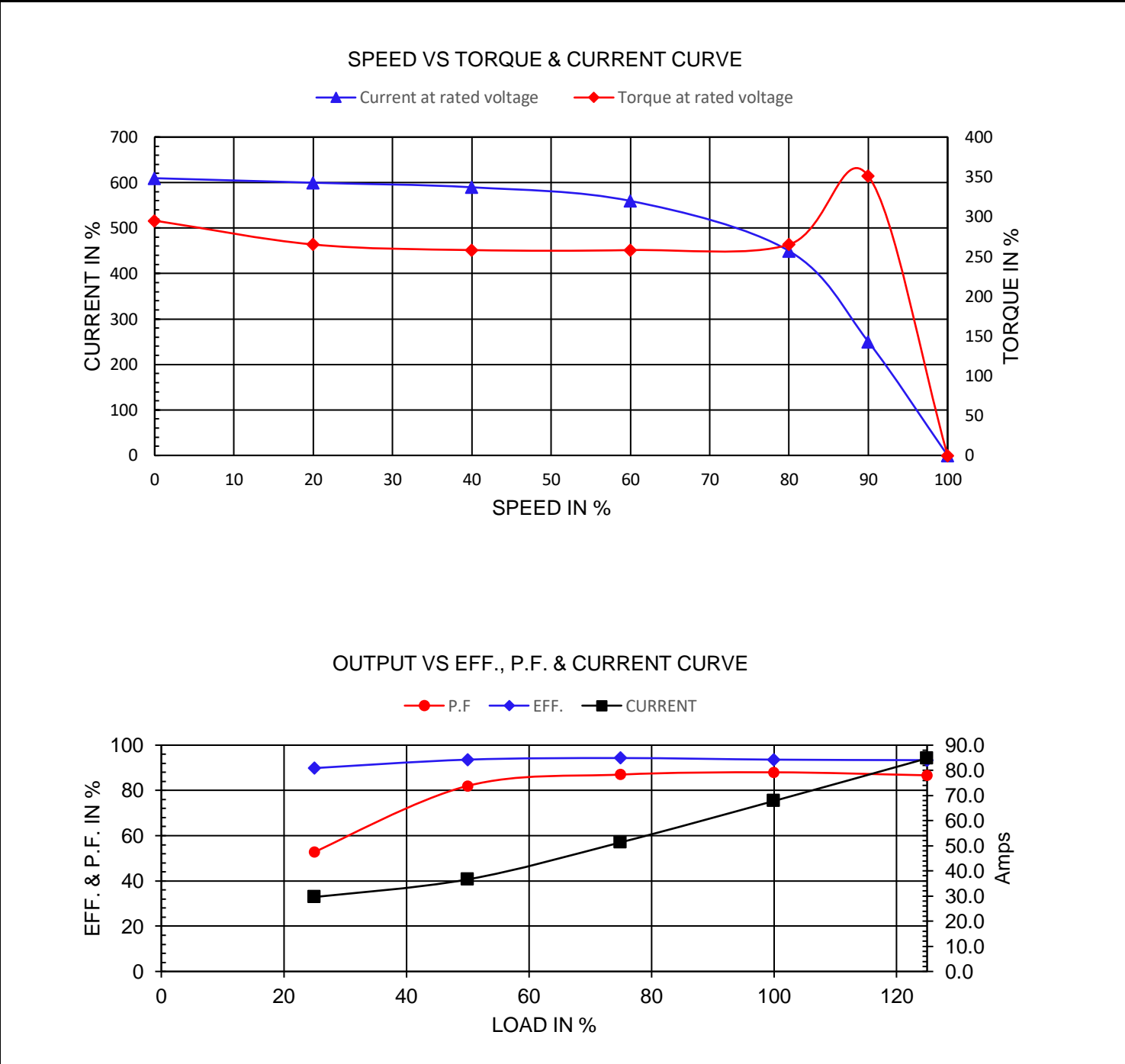
Worldwideelectric.net



Document Generated: 11-Dec-2023
Document ID:

Customer:

Motor Type	ODP		FL Speed	3552	
Output Rating (HP)	60		LRT (%FLT)	295	
Full Load Torque	89.2	lb.ft	460 volt FLA	67.8	
Rotor Wk ²	0.936	lb-ft ²	230 volt FLA	135.6	
			BDT (%FLT)	351	



NAMEPLATE / WIRING

WorldWide Electric Corporation

1 (800) 808-2131

Worldwideelectric.net







Premium Efficiency Motor: **ODP60-36-326TSC**

Document Generated: 11-Dec-2023
Document ID:

Customer:

SAMPLE NAMEPLATE DATA

		OPEN DRIP PROOF 3 PHASE MOTOR																							
Model :		Encl : ODP		SN :		<table border="0"> <tr><td>7</td><td>8</td><td>9</td></tr> <tr><td>6</td><td>4</td><td>5</td></tr> <tr><td>12</td><td>10</td><td>11</td></tr> <tr><td>1</td><td>2</td><td>3</td></tr> <tr><td>L1</td><td>L2</td><td>L3</td></tr> <tr><td colspan="3">230 V</td></tr> </table>		7	8	9	6	4	5	12	10	11	1	2	3	L1	L2	L3	230 V		
7	8	9																							
6	4	5																							
12	10	11																							
1	2	3																							
L1	L2	L3																							
230 V																									
HP :	Poles :	FR :	Ins : F	IP 23	Max Amb 40°C	Duty:Cont																			
Hz: 60	CODE:	Hz: 50	Design: B																						
Volts: 230/460	P.F.:	Volts: 190/380	DE BRG :																						
Amps:	Eff: %	Amps:	ODE BRG :																						
RPM :	S.F. : 1.15	RPM :	WT: LBS																						
		S.F. : 1.0	Date:																						
WorldWide Electric Corporation						<table border="0"> <tr><td>7</td><td>8</td><td>9</td></tr> <tr><td>4</td><td>5</td><td>6</td></tr> <tr><td>12</td><td>10</td><td>11</td></tr> <tr><td>1</td><td>2</td><td>3</td></tr> <tr><td>L1</td><td>L2</td><td>L3</td></tr> <tr><td colspan="3">460 V</td></tr> </table>		7	8	9	4	5	6	12	10	11	1	2	3	L1	L2	L3	460 V		
7	8	9																							
4	5	6																							
12	10	11																							
1	2	3																							
L1	L2	L3																							
460 V																									

Model: ODP60-36-326TSC		Encl: ODP					
HP: 60	Poles: 2	Frame 324/6TSC	Ins Cl: F	IP IP23			
Hz: 60	Code: F	Hz: 50	Design: B				
Volts: 230/460	P.F.: 0.88	Volts: 190/380	DE Brg: 6314Z				
Amps: 135.6/67.8	Eff: 93.6%	Amps: 162.8/81.4	ODE Brg: 6212Z				
RPM: 3552	S.F.: 1.15	RPM: 2920	WT: 455 lbs.				
		S.F.: 1.0					