

DATA SHEET

Premium Efficiency Motor: **ODP7.5-18-200-213T**,

60 Hz

WorldWide Electric Corporation

1 (800) 808-2131

Worldwideelectric.net



Document Generated: 12-Dec-2023
Document ID:

Customer:

MOTOR INFORMATION	
HP	7.5
RPM	1800
Phase	3
Frequency	60
Voltage	200
Frame Size	213/5T
Enclosure	ODP
Degree of Protection	IP23
Service Factor	1.15
Poles	4
Full Load Speed	1758
Insulation Class	F
Temp Rise	80°C
NEMA Code Letter	G
Duty Cycle	S1 / Continuous
Slip	2.34%
NEMA Design	B
Moment of Inertia	0.988 lb.ft.^2
Locked Rotor Time (Hot)	12 seconds
Sound Pressure Level	60 dB(A)
Number of Starts	2 Cold / 1 Hot
Max Ambient Temperature	40°C
Max Elevation	1000 m.a.s.l (3300 f.a.s.l)
Mounting	F1
Rotation	Bi-Directional
Area of Classification	Safe Area
Inverter Rating	10:1 CT / 20:1 VT
Standard	NEMA MG 1
Approvals	UL, CE

EFFICIENCY/POWER FACTOR		
LOAD	EFF	P. F.
100%	91.0 %	0.78
75%	91.0 %	0.71
50%	89.5 %	0.58

TORQUE		
FULL LOAD	LRT	BDT
22.02 lb.ft.	356 %	368 %

AMPERAGE INFORMATION	
	200V
Full Load Amps	22.54
Locked Rotor Amps	136.413
No Load Current	12.144A

BEARING INFORMATION	
DE Bearing	6308ZZ
ODE Bearing	6306ZZ
Grease Type	NSK SN7
DE Regreasing Interval	-- Hours
ODE Regreasing Interval	-- Hours
Grease Quantity	--

ADDITIONAL DATA	
F2 Suitable	No
Shaft Material	AISI 1045
Connection Diagram	6 Lead Delta
Approximate Weight	140.2 lbs.

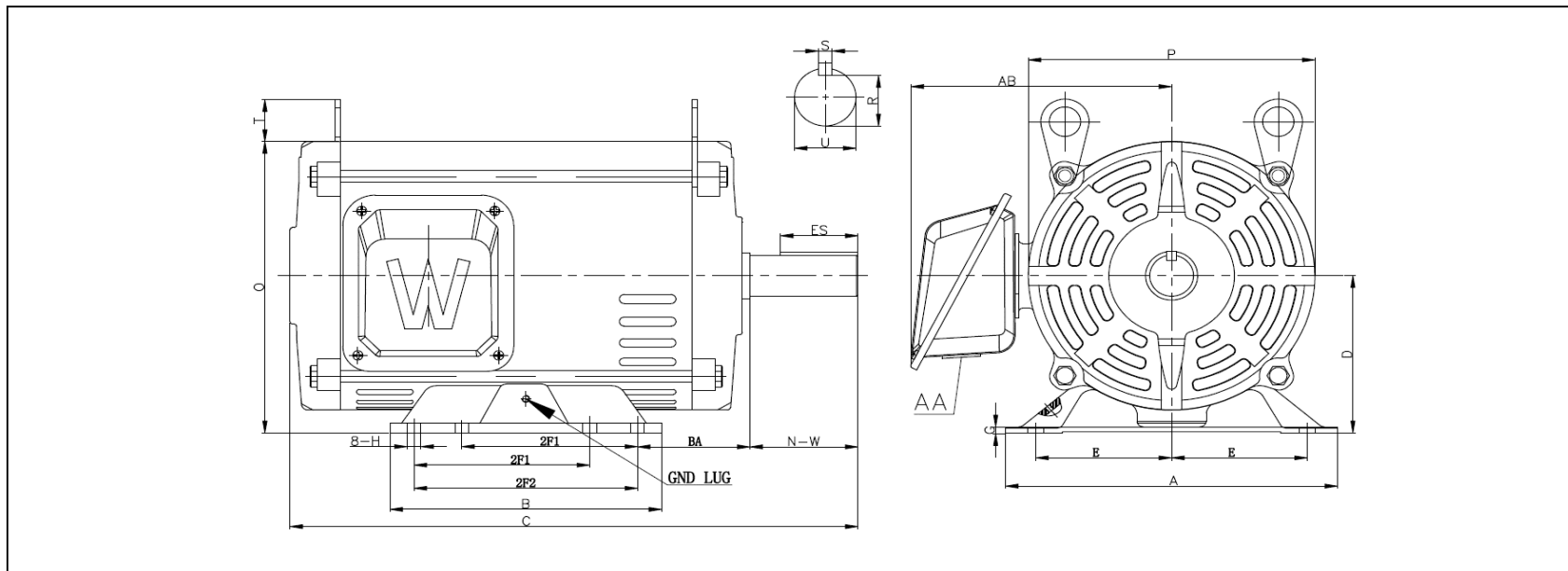
MOTOR DRAWING

Premium Efficiency Motor: **ODP7.5-18-200-213T**

WorldWide Electric Corporation

1 (800) 808-2131

Worldwideelectric.net



DIMENSION - INCHES

MOUNTING					A	B	C	D	G	P	O	T	AB
E	2F1	2F2	H	BA									
4.25	5.5	7	0.43	3.5	9.69	8.19	17.8	5.25	0.16	9.4	9.8	1.5	8.16

SHAFT & KEY				
S	ES	R	N-W	U
0.31	2.41	1.201	3.38	1.375

T-BOX	GND LUG
AA	M6*P1.0
1.38	

PERFORMANCE CURVES

Premium Efficiency Motor:

ODP7.5-18-200-213T

WorldWide Electric Corporation

1 (800) 808-2131

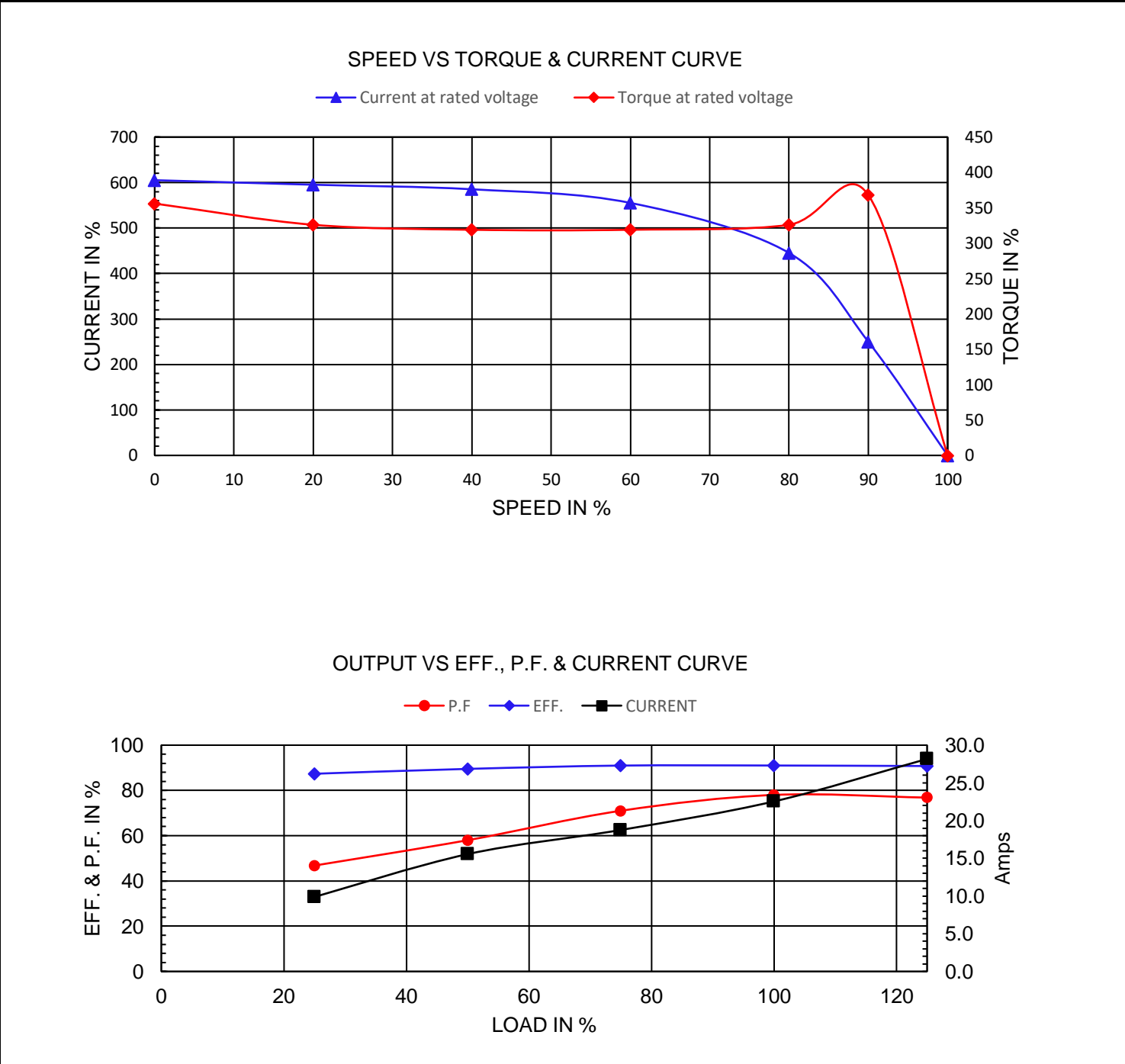
Worldwideelectric.net



Document Generated: 12-Dec-2023
Document ID:

Customer:

Motor Type	PEWWE				
Output Rating (HP)	7.5	FL Speed	1758		
Full Load Torque	22.02 lb.ft	LRT (%FLT)	356	200 volt FLA	22.54
Rotor Wk ²	0.988 lb-ft ²	BDT (%FLT)	368		



NAMEPLATE / WIRING

WorldWide Electric Corporation

1 (800) 808-2131

Worldwideelectric.net



Premium Efficiency Motor: **ODP7.5-18-200-213T**

Document Generated: 12-Dec-2023
Document ID:

Customer:

SAMPLE NAMEPLATE DATA

		OPEN DRIP PROOF 3 PHASE MOTOR									
Model :		Encl :		SN :						CC306B	
HP :	Poles :	FR :	Ins : F	IP 23	Max Amb 40°C	Duty:Cont					
Hz :			CODE:			Design :					
Volts :			P.F. :			DE BRG :					
Amps :			Eff :			ODE BRG :					
RPM :			S.F. :			WT :					
						Date :					
WorldWide Electric Corporation											

Model	ODP7.5-18-200-213T	Encl	ODP		
HP:	7.5	Poles:	4	FR:	213/5T
Hz:	60	Code:	G	Design	B
Volts:	200	P.F.:	0.78	DE BRG:	6308ZZ
Amps	22.54	Eff:	91.0%	ODE BRG:	6306ZZ
RPM	1758	S.F. :	1.15	WT:	140.2 lbs.
				Ins:	F