

DATA SHEET

Premium Efficiency Motor: **ODP7.5-36-184T,**

60 Hz

WorldWide Electric Corporation

1 (800) 808-2131

Worldwideelectric.net



Document Generated: 8-Dec-2023
Document ID:

Customer:

MOTOR INFORMATION	
HP	7.5
RPM	3600
Phase	3
Frequency	60
Voltage	230/460
Frame Size	182/4T
Enclosure	ODP
Degree of Protection	IP23
Service Factor	1.15
Poles	2
Full Load Speed	3499
Insulation Class	F
Temp Rise	80°C
NEMA Code Letter	H
Duty Cycle	S1 / Continuous
Slip	2.80%
NEMA Design	B
Moment of Inertia	0.21 lb.ft.^2
Locked Rotor Time (Hot)	12 seconds
Sound Pressure Level	62 dB(A)
Number of Starts	2 Cold / 1 Hot
Max Ambient Temperature	40°C
Max Elevation	1000 m.a.s.l (3300 f.a.s.l)
Mounting	F1
Rotation	Bi-Directional
Area of Classification	Safe Area
Inverter Rating	10:1 CT / 20:1 VT
Standard	NEMA MG 1
Approvals	UL, CE

EFFICIENCY/POWER FACTOR		
LOAD	EFF	P. F.
100%	88.5 %	0.89
75%	89.9 %	0.87
50%	89.4 %	0.8

TORQUE		
FULL LOAD	LRT	BDT
11.02 lb.ft.	301 %	381 %

AMPERAGE INFORMATION		
	230V	460V
Full Load Amps	17.4A	8.7A
Locked Rotor Amps	132.26A	66.13A
No Load Current	4.86A	2.43A
Usable at 208V	9.62A	

BEARING INFORMATION	
DE Bearing	6306ZZ
ODE Bearing	6305ZZ
Grease Type	NSK SN7
DE Regreasing Interval	-- Hours
ODE Regreasing Interval	-- Hours
Grease Quantity	--

ADDITIONAL DATA	
F2 Suitable	No
Shaft Material	AISI 1045
Connection Diagram	9 Lead Wye
Approximate Weight	78.1 lbs.

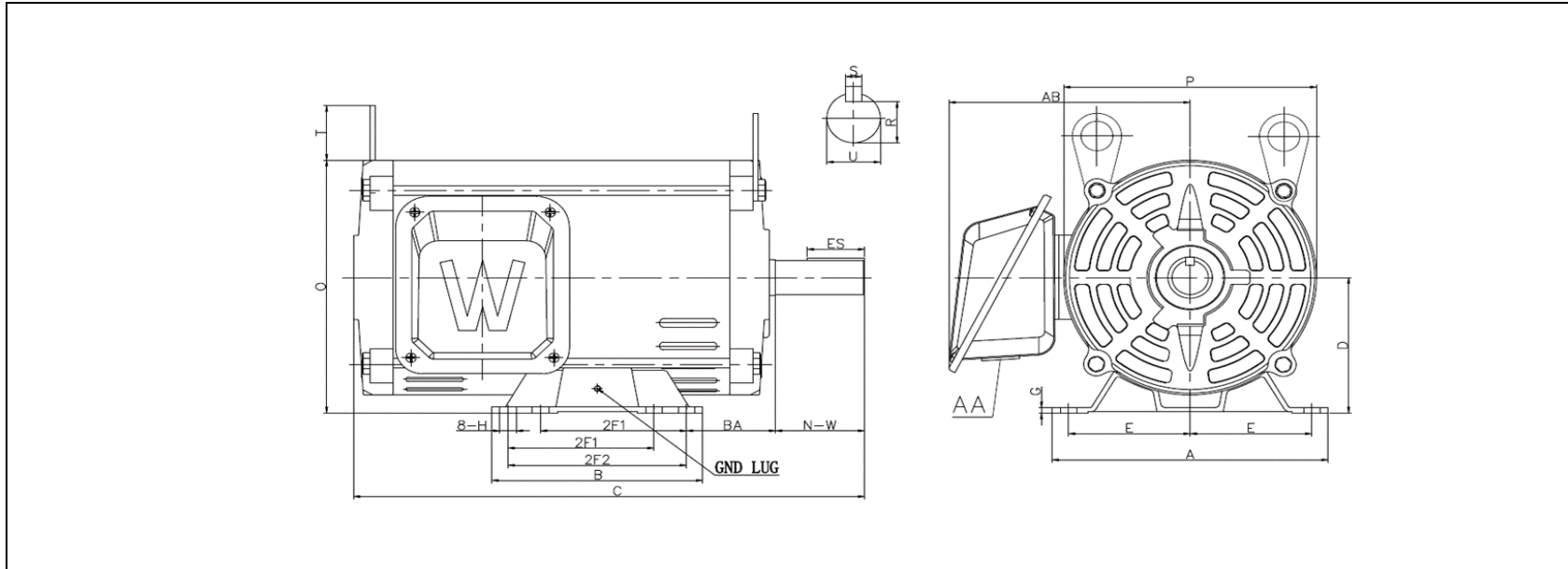
MOTOR DRAWING

Premium Efficiency Motor: **ODP7.5-36-184T**

WorldWide Electric Corporation

1 (800) 808-2131

Worldwideelectric.net



DIMENSION - INCHES

MOUNTING					A	B	C	D	G	P	O	T	AB
E	2F1	2F2	H	BA									
3.75	4.5	5.5	0.41	2.75	8.5	6.495	16.4	4.5	0.41	7.72	8.36	1.6	7.55

SHAFT & KEY				
S	ES	R	N-W	U
0.25	1.78	0.986	2.75	1.125

T-BOX	GND LUG
AA	
1.09	M5*P0.8

PERFORMANCE CURVES

WorldWide Electric Corporation

1 (800) 808-2131

Worldwideelectric.net

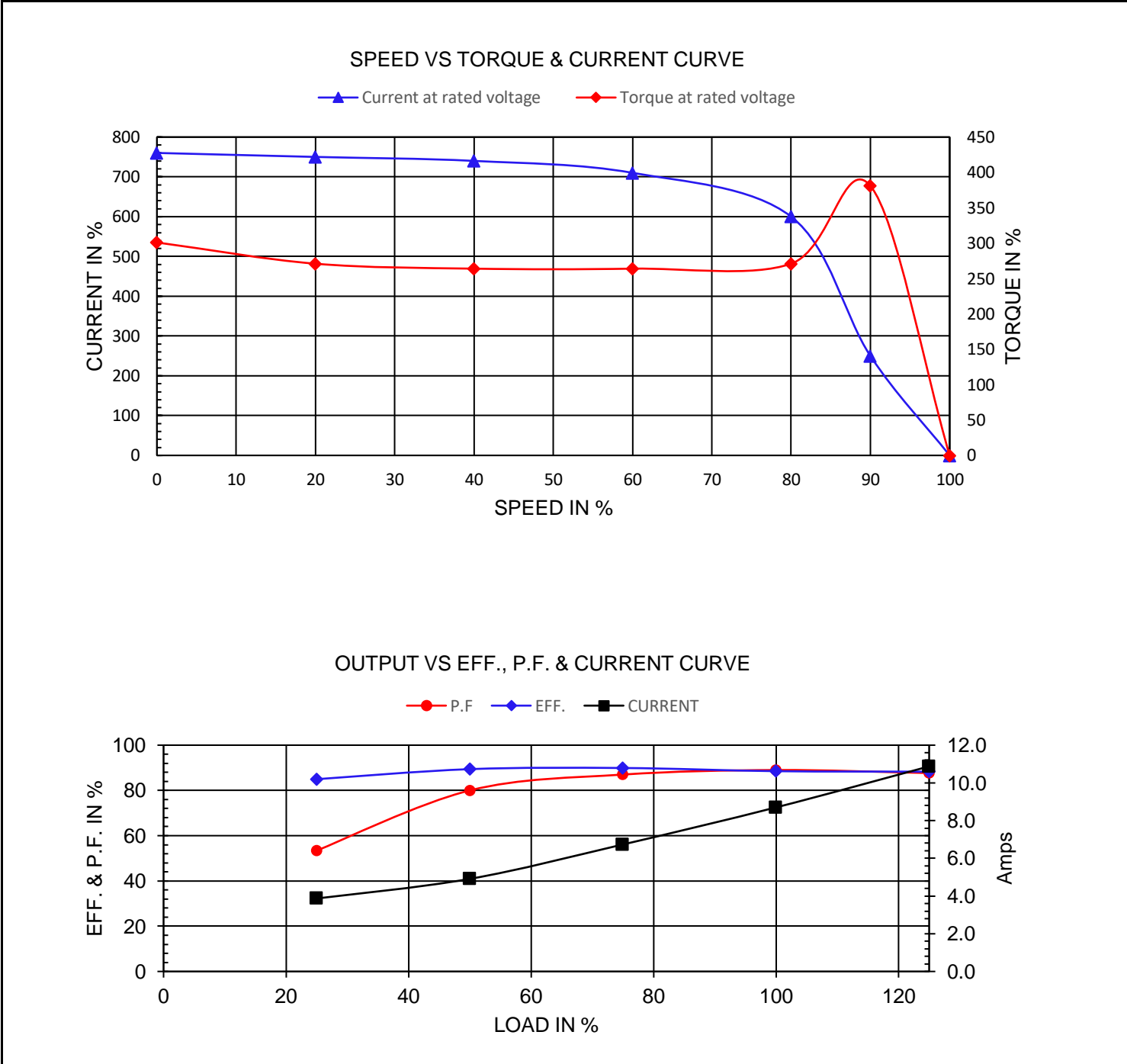


Premium Efficiency Motor:

ODP7.5-36-184T

Document Generated:	8-Dec-2023	Customer:	
Document ID:			

Motor Type	ODP			FL Speed	3499		
Output Rating (HP)	7.5			LRT (%FLT)	301	460 volt FLA	8.7
Full Load Torque	11.02	lb.ft		BDT (%FLT)	381	230 volt FLA	17.4
Rotor Wk ²	0.885	lb-ft ²					



NAMEPLATE / WIRING

WorldWide Electric Corporation

1 (800) 808-2131

Worldwideelectric.net



Premium Efficiency Motor: **ODP7.5-36-184T**

Document Generated: 8-Dec-2023
Document ID:

Customer:

SAMPLE NAMEPLATE DATA

		OPEN DRIP PROOF 3 PHASE MOTOR						
Model :		Encl : ODP		SN :				
HP :	Poles :	FR :	Ins : F	IP 23	Max Amb 40°C	Duty : Cont		
Hz : 60	CODE:		Hz : 50	Design : B				
Volts : 230/460	P.F. :		Volts : 190/380	DE BRG :				
Amps :	Eff: %		Amps :	ODE BRG :				
RPM :	S.F. : 1.15		RPM :	WT :	LBS			
				S.F. :	Date :			
WorldWide Electric Corporation								

Model: ODP7.5-36-184T		Encl: ODP					
HP: 7.5	Poles: 2	Frame 182/4T	Ins Cl: F	IP IP23			
Hz: 60	Code: H	Hz: 50	Design: B				
Volts: 230/460	P.F.: 0.89	Volts: 190/380	DE Brg: 6306ZZ				
Amps: 17.4/8.7	Eff: 88.5%	Amps: 21/10.5	ODE Brg: 6305ZZ				
RPM: 3499	S.F.: 1.15	RPM: 2870	WT: 78.1 lbs.				
		S.F.: 1.0					