

DATA SHEET

Premium Efficiency Motor: **ODP75-18-365T,**

60 Hz

WorldWide Electric Corporation

1 (800) 808-2131

Worldwideelectric.net



Document Generated: 8-Dec-2023
Document ID:

Customer:

MOTOR INFORMATION	
HP	75
RPM	1800
Phase	3
Frequency	60
Voltage	230/460
Frame Size	364/5T
Enclosure	ODP
Degree of Protection	IP23
Service Factor	1.15
Poles	4
Full Load Speed	1783
Insulation Class	F
Temp Rise	80°C
NEMA Code Letter	G
Duty Cycle	S1 / Continuous
Slip	0.96%
NEMA Design	B
Moment of Inertia	14.036 lb.ft.^2
Locked Rotor Time (Hot)	12 seconds
Sound Pressure Level	78 dB(A)
Number of Starts	2 Cold / 1 Hot
Max Ambient Temperature	40°C
Max Elevation	1000 m.a.s.l (3300 f.a.s.l)
Mounting	F1
Rotation	Bi-Directional
Area of Classification	Safe Area
Inverter Rating	10:1 CT / 20:1 VT
Standard	NEMA MG 1
Approvals	UL, CE

EFFICIENCY/POWER FACTOR		
LOAD	EFF	P. F.
100%	95.0 %	0.84
75%	95.4 %	0.81
50%	94.9 %	0.74

TORQUE		
FULL LOAD	LRT	BDT
217.7 lb.ft.	207 %	276 %

AMPERAGE INFORMATION		
	230V	460V
Full Load Amps	172.6A	86.3A
Locked Rotor Amps	1092.8A	546.4A
No Load Current	59.8A	29.9A
Usable at 208V	95.43A	

BEARING INFORMATION	
DE Bearing	6314
ODE Bearing	6212
Grease Type	Mobil Polyrex EM
DE Regreasing Interval	2400 Hours
ODE Regreasing Interval	3600 Hours
Grease Quantity	26g/12g

ADDITIONAL DATA	
F2 Suitable	Yes
Shaft Material	AISI 1045
Connection Diagram	12 Lead Delta
Approximate Weight	770 lbs.

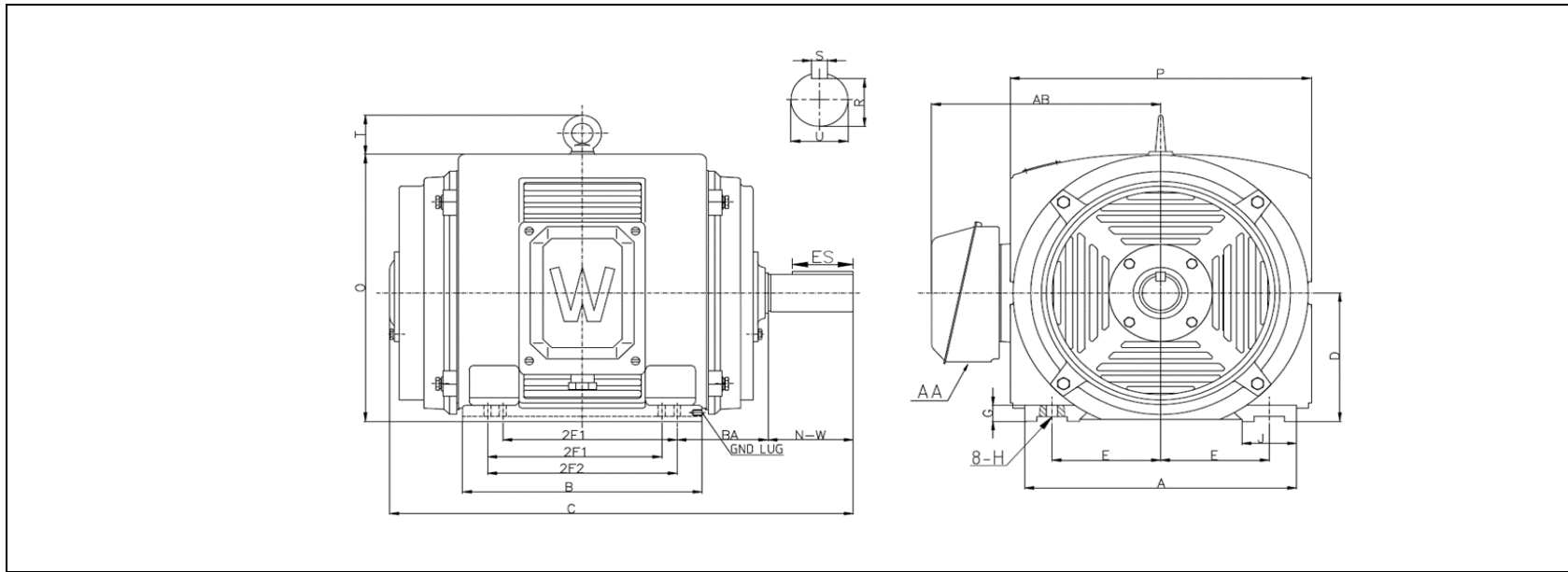
MOTOR DRAWING

Premium Efficiency Motor: **ODP75-18-365T**

WorldWide Electric Corporation

1 (800) 808-2131

Worldwideelectric.net



DIMENSION - INCHES

MOUNTING					A	B	C	D	G	P	O	T	AB
E	2F1	2F2	H	BA									
7	11.25	12.25	0.66	5.88	17.6	15.51	30.9	9	1.1	19.48	18.5	2.7	14.8

SHAFT & KEY				
S	ES	R	N-W	U
0.625	4.28	2.02	5.88	2.375

T-BOX	GND LUG
AA	
3	M10*P1.5

PERFORMANCE CURVES

WorldWide Electric Corporation

1 (800) 808-2131

Worldwideelectric.net

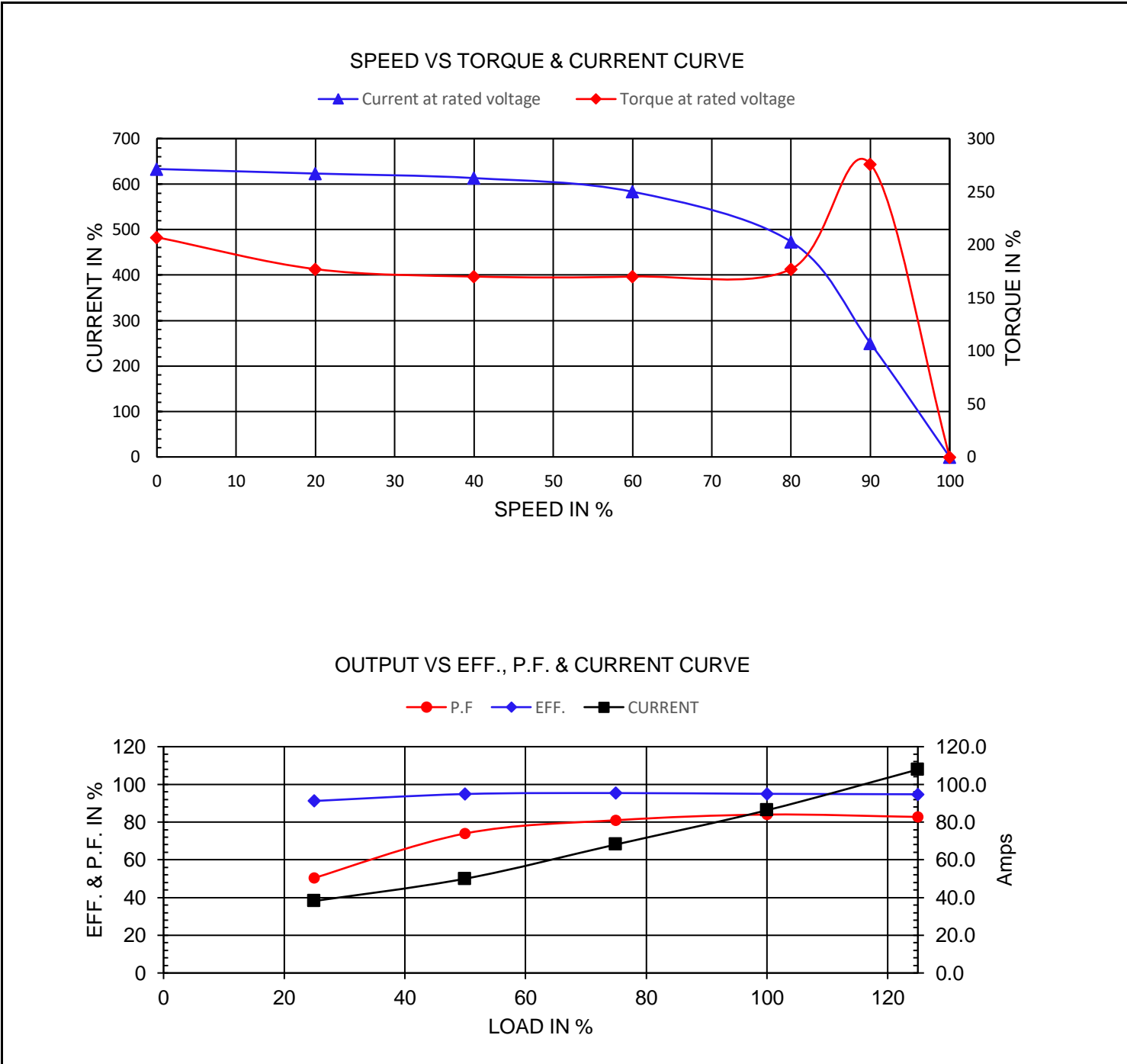


Premium Efficiency Motor:

ODP75-18-365T

Document Generated: 8-Dec-2023	Customer:
Document ID:	

Motor Type	ODP		FL Speed	1783	
Output Rating (HP)	75		LRT (%FLT)	207	
Full Load Torque	217.7	lb.ft	460 volt FLA	86.3	
Rotor Wk ²	0.95	lb-ft ²	230 volt FLA	172.6	
			BDT (%FLT)	276	



NAMEPLATE / WIRING

WorldWide Electric Corporation

1 (800) 808-2131

Worldwideelectric.net



Premium Efficiency Motor: **ODP75-18-365T**

Document Generated: 8-Dec-2023
Document ID:

Customer:

SAMPLE NAMEPLATE DATA

		OPEN DRIP PROOF 3 PHASE MOTOR									
Model :		Encl : ODP		SN :							
HP :	Poles :	FR :	Ins : F	IP23	Max Amb 40°C	Duty:Cont					
Hz : 60	CODE :		Hz : 50	Design : B							
Volts : 230/460	P.F :		Volts : 190/380	DE BRG :							
Amps :	Eff: %		Amps :	ODE BRG :							
RPM :	S.F: 1.15		RPM :	WT : LBS							
	—		S.F: 1.0	Date :							
WorldWide Electric Corporation										460 V	

Model: ODP75-18-365T		Encl: ODP							
HP: 75	Poles: 4	Frame 364/5T	Ins Cl: F	IP	IP23				
Hz: 60	Code: G	Hz: 50	Design: B						
Volts: 230/460	P.F.: 0.84	Volts: 190/380	DE Brg: 6314						
Amps: 172.6/86.3	Eff: 95.0%	Amps: 208.4/104.2	ODE Brg: 6212						
RPM: 1783	S.F.: 1.15	RPM: 1478	WT: 770 lbs.						
		S.F.: 1.0							