

# DATA SHEET

Premium Efficiency Motor: **ODPJ1-36-56JRD**

**60 Hz**

WorldWide Electric Corporation

1 (800) 808-2131

Worldwideelectric.net



Document Generated: 5-May-2022  
Document ID:

Customer:

MOTOR INFORMATION	
HP	1
RPM	3600
Phase	3
Frequency	60
Voltage	230/460
Frame Size	56J
Enclosure	ODP
Degree of Protection	IP23
Service Factor	1.40
Poles	2
Full Load Speed	3525
Insulation Class	F
Temp Rise	80°C
NEMA Code Letter	L
Duty Cycle	S1 / Continuous
Slip	2.09%
NEMA Design	B
Moment of Inertia	0.04714854375 lb.ft.^2
Locked Rotor Time (Hot)	12 seconds
Sound Pressure Level	78 dB(A)
Number of Starts/Hour (Hot)	2
Max Ambient Temperature	40°C
Max Elevation	3300 FASL
Mounting	F1
Rotation	Bi-Directional
Area of Classification	Safe
Inverter Rating	N/A
Standard	NEMA
Approvals	UL

EFFICIENCY/POWER FACTOR		
LOAD	EFF	P. F.
100%	77.0 %	0.82
75%	83.2 %	0.75
50%	79.6 %	0.63

TORQUE		
FULL LOAD	LRT	BDT
1.502 lb.ft.	298 %	381 %

AMPERAGE INFORMATION		
	230V	460V
Full Load Amps	2.722A	1.361A
Locked Rotor Amps	23.7A	11.85A
No Load Current	1.4506A	0.7253A
Usable at 208V	3 A	

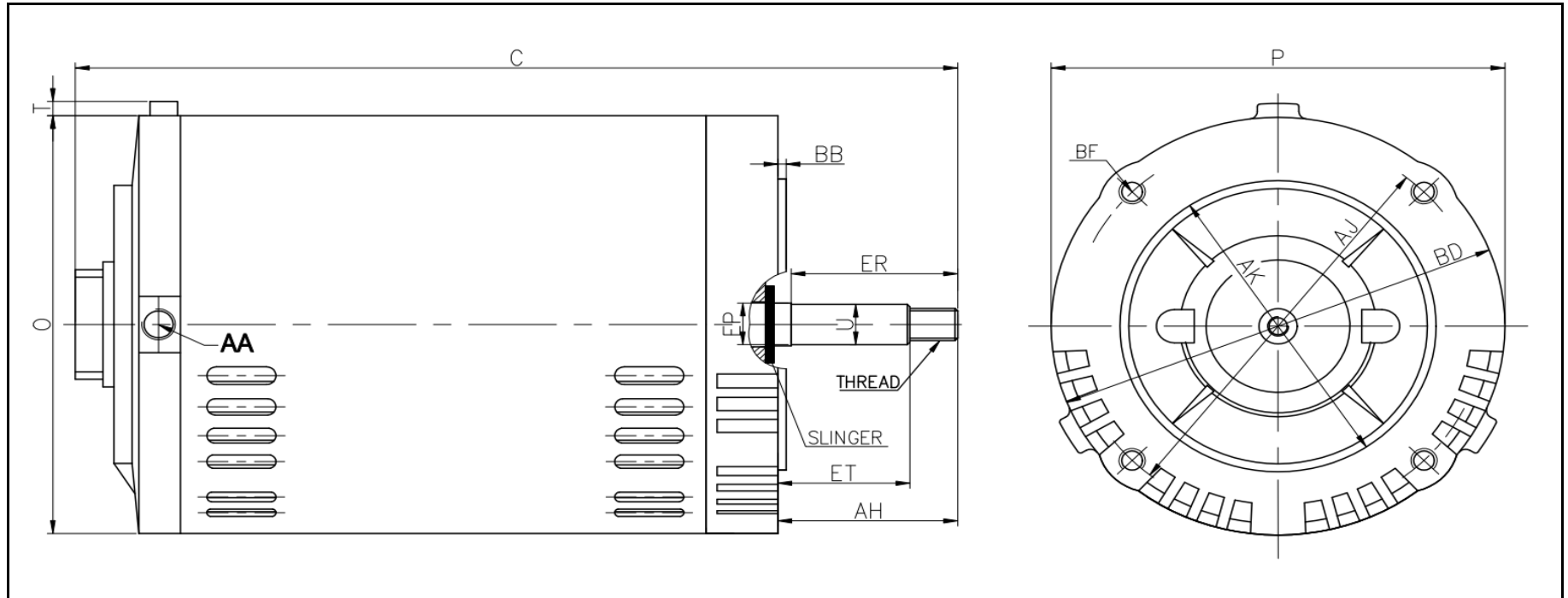
BEARING INFORMATION	
DE Bearing	6203-ZZ
ODE Bearing	6203-ZZ
Grease Type	NS7 ENS
DE Regreasing Interval	-- Hours
ODE Regreasing Interval	-- Hours
Grease Quantity	--

ADDITIONAL DATA	
F2 Suitable	No
Shaft Material	S45C+SUS304
Connection Diagram	9 Lead Wye
Approximate Weight	25.3 lbs.

# ODP Jet Pump Motor Drawing

**56JRD**

WorldWide Electric Corporation  
 1 (800) 808-2131  
 Worldwideelectric.net



## DIMENSIONS - INCHES

C	P	O	T	AA
12.6	6.5	6.5	0.23	1/2 NPT

SHAFT & KEY					
EP	ET	ER	AH	U	THREAD
0.66	1.88	2.37	2.56	0.625	7/16-20 2A UNF

FLANGE				
AK	BD	AJ	BF	BB
4.5	6.5	5.875	4*3/8-16 UNC	0.16

REVISED - 5/4/2022

# NAMEPLATE / WIRING

WorldWide Electric Corporation

1 (800) 808-2131

Worldwideelectric.net



Premium Efficiency Motor: **ODPJ1-36-56JRD**

Document Generated: 5-May-2022  
Document ID:

Customer:

## SAMPLE NAMEPLATE DATA

		OPEN DRIP PROOF THREE PHASE JET PUMP MOTOR					
ISO9001 CC306B		Model :		Encl : ODP		SN :	
HP :	Poles : 2	FR :	Ins : F	IP 23	Max Amb 40°C	Duty : Cont	
Hz : 60	CODE :			Design :			
Volts :	P.F. :			DE BRG :		208-230 V	
Amps :	Eff :			ODE BRG :			
RPM :	S.F. :			WT : LBS		460 V	
Usable on 208V 60Hz network at ___ Amps				S.F.A :		Date :	
<b>WorldWide Electric Corporation</b>							

<b>Model</b>	ODPJ1-36-56JRD	<b>FR:</b>	56J	<b>Design:</b>	B
<b>HP:</b>	1	<b>CODE:</b>	L	<b>DE BRG:</b>	6203-ZZ
<b>Volts:</b>	230/460V	<b>P.F.:</b>	0.82	<b>ODE BRG:</b>	6203-ZZ
<b>Amps:</b>	2.72/1.36A	<b>Eff:</b>	77.0%	<b>WT:</b>	25.3 lbs.
<b>RPM:</b>	3525	<b>S.F.:</b>	1.4		
		<b>S.F.A:</b>	1.799A		
<b>Usable on 208V 60Hz Network at</b>			3 A		