

DATA SHEET

Premium Efficiency Motor: **ODPJ1.5-36-56JRD**

60 Hz

WorldWide Electric Corporation

1 (800) 808-2131

Worldwideelectric.net



Document Generated: 5-May-2022
Document ID:

Customer:

MOTOR INFORMATION	
HP	1.5
RPM	3600
Phase	3
Frequency	60
Voltage	230/460
Frame Size	56J
Enclosure	ODP
Degree of Protection	IP23
Service Factor	1.30
Poles	2
Full Load Speed	3525
Insulation Class	F
Temp Rise	80°C
NEMA Code Letter	M
Duty Cycle	S1 / Continuous
Slip	2.04%
NEMA Design	B
Moment of Inertia	0.053577890625 lb.ft.^2
Locked Rotor Time (Hot)	12 seconds
Sound Pressure Level	78 dB(A)
Number of Starts/Hour (Hot)	2
Max Ambient Temperature	40°C
Max Elevation	3300 FASL
Mounting	F1
Rotation	Bi-Directional
Area of Classification	Safe
Inverter Rating	N/A
Standard	NEMA
Approvals	UL

EFFICIENCY/POWER FACTOR		
LOAD	EFF	P. F.
100%	84.0 %	0.80
75%	84.3 %	0.73
50%	80.8 %	0.60

TORQUE		
FULL LOAD	LRT	BDT
2.179 lb.ft.	374 %	417 %

AMPERAGE INFORMATION		
	230V	460V
Full Load Amps	4.03A	2.015A
Locked Rotor Amps	37.84A	18.92A
No Load Current	2.268A	1.134A
Usable at 208V	4.5 A	

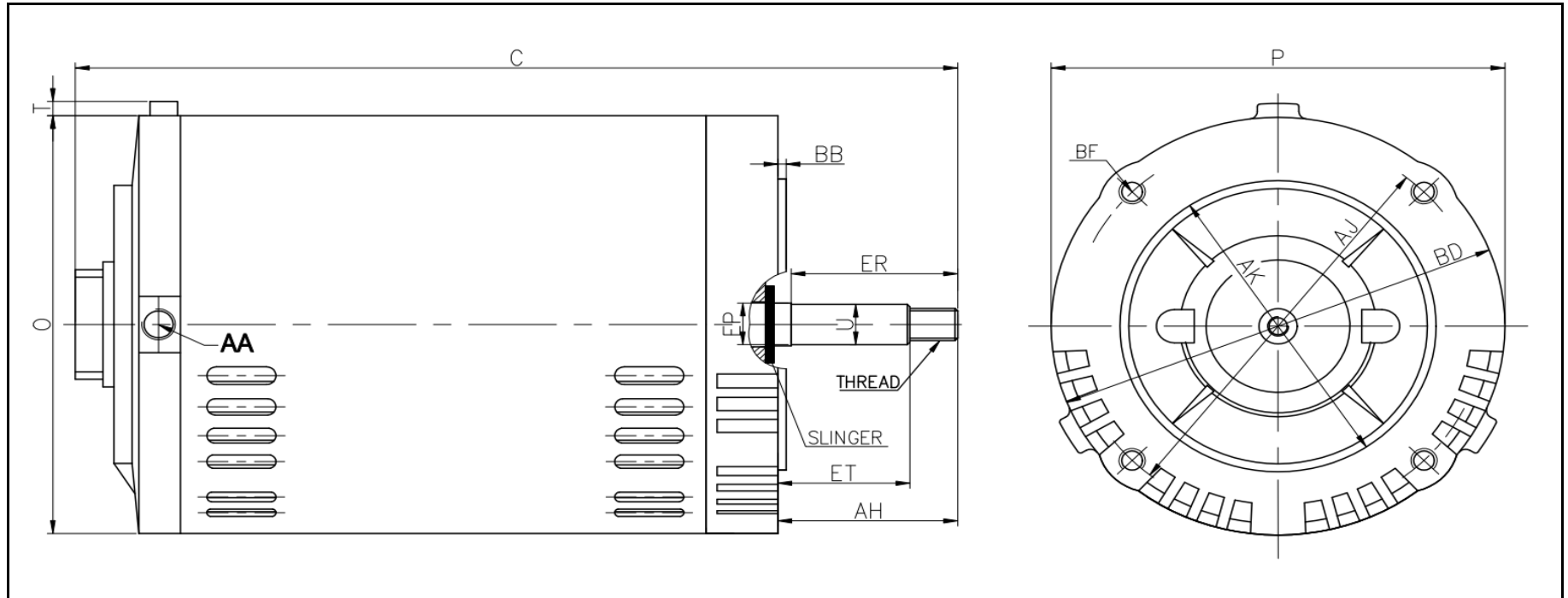
BEARING INFORMATION	
DE Bearing	6203-ZZ
ODE Bearing	6203-ZZ
Grease Type	NS7 ENS
DE Regreasing Interval	-- Hours
ODE Regreasing Interval	-- Hours
Grease Quantity	--

ADDITIONAL DATA	
F2 Suitable	No
Shaft Material	S45C+SUS304
Connection Diagram	9 Lead Wye
Approximate Weight	28.3 lbs.

ODP Jet Pump Motor Drawing

56JRD

WorldWide Electric Corporation
 1 (800) 808-2131
 Worldwideelectric.net



DIMENSIONS - INCHES

C	P	O	T	AA
12.6	6.5	6.5	0.23	1/2 NPT

SHAFT & KEY					
EP	ET	ER	AH	U	THREAD
0.66	1.88	2.37	2.56	0.625	7/16-20 2A UNF

FLANGE				
AK	BD	AJ	BF	BB
4.5	6.5	5.875	4*3/8-16 UNC	0.16

REVISED - 5/4/2022

NAMEPLATE / WIRING

WorldWide Electric Corporation

1 (800) 808-2131

Worldwideelectric.net



Premium Efficiency Motor: **ODPJ1.5-36-56JRD**

Document Generated: 5-May-2022
Document ID:

Customer:

SAMPLE NAMEPLATE DATA

		OPEN DRIP PROOF THREE PHASE JET PUMP MOTOR					
Model :		Encl : ODP		SN :			4 5 6
HP :	Poles : 2	FR :	Ins : F	IP 23	Max Amb 40°C	Duty : Cont	
Hz : 60	CODE:			Design :		7 8 9 1 2 3 L1 L2 L3 208-230 V	
Volts :	P.F. :			DE BRG :			
Amps :	Eff :			ODE BRG :		4 5 6 7 8 9 1 2 3 L1 L2 L3 460 V	
RPM :	S.F. :			WT: LBS			
Usable on 208V 60Hz network at ___ Amps				S.F.A :		Date :	
WorldWide Electric Corporation							

Model	ODPJ1.5-36-56JRD	FR:	56J	Design:	B
HP:	1.5	CODE:	M	DE BRG:	6203-ZZ
Volts:	230/460V	P.F.:	0.80	ODE BRG:	6203-ZZ
Amps:	4.03/2.02A	Eff:	84.0%	WT:	28.3 lbs.
RPM:	3525	S.F.:	1.3		
		S.F.A:	2.466A		
Usable on 208V 60Hz Network at			4.5 A		