

DATA SHEET

Premium Efficiency Motor: **ODPJ13-36-56JB**

60 Hz

WorldWide Electric Corporation

1 (800) 808-2131

Worldwideelectric.net



Document Generated: 5-May-2022
Document ID:

Customer:

MOTOR INFORMATION	
HP	1/3
RPM	3600
Phase	3
Frequency	60
Voltage	230/460
Frame Size	56J
Enclosure	ODP
Degree of Protection	IP23
Service Factor	1.75
Poles	2
Full Load Speed	3535
Insulation Class	F
Temp Rise	80°C
NEMA Code Letter	M
Duty Cycle	S1 / Continuous
Slip	1.77%
NEMA Design	B
Moment of Inertia	0.032146734375 lb.ft.^2
Locked Rotor Time (Hot)	12 seconds
Sound Pressure Level	78 dB(A)
Number of Starts/Hour (Hot)	2
Max Ambient Temperature	40°C
Max Elevation	3300 FASL
Mounting	F1
Rotation	Bi-Directional
Area of Classification	Safe
Inverter Rating	N/A
Standard	NEMA
Approvals	UL

EFFICIENCY/POWER FACTOR		
LOAD	EFF	P. F.
100%	69.5 %	0.74
75%	69.0 %	0.66
50%	62.5 %	0.54

TORQUE		
FULL LOAD	LRT	BDT
0.502 lb.ft.	228 %	315 %

AMPERAGE INFORMATION		
	230V	460V
Full Load Amps	1.172A	0.586A
Locked Rotor Amps	8.304A	4.152A
No Load Current	0.8344A	0.4172A
Usable at 208V	1.3 A	

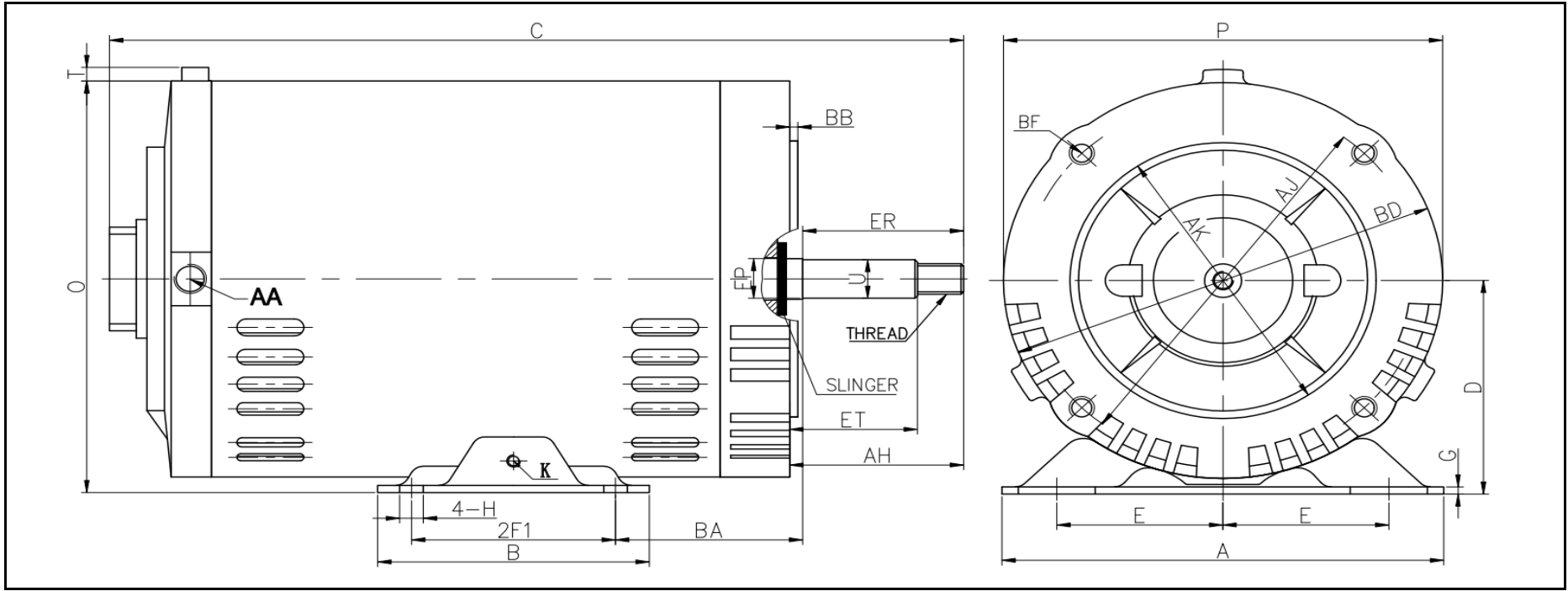
BEARING INFORMATION	
DE Bearing	6203-ZZ
ODE Bearing	6203-ZZ
Grease Type	NS7 ENS
DE Regreasing Interval	-- Hours
ODE Regreasing Interval	-- Hours
Grease Quantity	--

ADDITIONAL DATA	
F2 Suitable	No
Shaft Material	S45C+SUS304
Connection Diagram	9 Lead Wye
Approximate Weight	20.5 lbs.

ODP Jet Pump Motor Drawing

56JB

WorldWide Electric Corporation
 1 (800) 808-2131
 Worldwideelectric.net



DIMENSIONS - INCHES

MOUNTING				A	B	C	D	G	P	O	T	Ground Lug K	AA
E	2F1	H	BA										
2.44	3	0.34	2.75	6.3	4	12.6	3.5	0.08	6.5	6.7	0.23	M5	1/2 NPT

SHAFT & KEY					
EP	ET	ER	AH	U	THREAD
0.66	1.88	2.37	2.56	0.625	7/16-20 2A UNF

FLANGE				
AK	BD	AJ	BF	BB
4.5	6.5	5.875	4*3/8-16 UNC	0.16

NAMEPLATE / WIRING

WorldWide Electric Corporation

1 (800) 808-2131

Worldwideelectric.net



Premium Efficiency Motor: **ODPJ13-36-56JB**

Document Generated: 5-May-2022	Customer:
Document ID:	

SAMPLE NAMEPLATE DATA

		OPEN DRIP PROOF THREE PHASE JET PUMP MOTOR					
Model :		Encl : ODP		SN :			
HP:	Poles : 2	FR:	Ins : F	IP 23	Max Amb 40°C	Duty : Cont	
Hz: 60	CODE:			Design:			
Volts:	P.F.:			DE BRG:		208-230 V	
Amps:	Eff:			ODE BRG:			
RPM:	S.F.:			WT: LBS			
Usable on 208V 60Hz network at ___ Amps				S.F.A:		Date:	
WorldWide Electric Corporation							

Model	ODPJ13-36-56JB	FR:	56J	Design:	B
HP:	1/3	CODE:	M	DE BRG:	6203-ZZ
Volts:	230/460V	P.F.:	0.74	ODE BRG:	6203-ZZ
Amps:	1.17/0.59A	Eff:	69.5%	WT:	20.5 lbs.
RPM:	3535	S.F.:	1.75		
		S.F.A:	0.855A		
Usable on 208V 60Hz Network at			1.3 A		