

# DATA SHEET

Premium Efficiency Motor: **ODPJ13-36-56JRD**

**60 Hz**

WorldWide Electric Corporation

1 (800) 808-2131

Worldwideelectric.net



Document Generated: 5-May-2022

Document ID:

Customer:

## MOTOR INFORMATION

HP	1/3
RPM	3600
Phase	3
Frequency	60
Voltage	230/460
Frame Size	56J
Enclosure	ODP
Degree of Protection	IP23
Service Factor	1.75
Poles	2
Full Load Speed	3535
Insulation Class	F
Temp Rise	80°C
NEMA Code Letter	M
Duty Cycle	S1 / Continuous
Slip	1.77%
NEMA Design	B
Moment of Inertia	0.032146734375 lb.ft.^2
Locked Rotor Time (Hot)	12 seconds
Sound Pressure Level	78 dB(A)
Number of Starts/Hour (Hot)	2
Max Ambient Temperature	40°C
Max Elevation	3300 FASL
Mounting	F1
Rotation	Bi-Directional
Area of Classification	Safe
Inverter Rating	N/A
Standard	NEMA
Approvals	UL

## EFFICIENCY/POWER FACTOR

LOAD	EFF	P. F.
100%	69.5 %	0.74
75%	69.0 %	0.66
50%	62.5 %	0.54

## TORQUE

FULL LOAD	LRT	BDT
0.502 lb.ft.	228 %	315 %

## AMPERAGE INFORMATION

	230V	460V
Full Load Amps	1.172A	0.586A
Locked Rotor Amps	8.304A	4.152A
No Load Current	0.8344A	0.4172A
Usable at 208V	1.3 A	

## BEARING INFORMATION

DE Bearing	6203-ZZ
ODE Bearing	6203-ZZ
Grease Type	NS7 ENS
DE Regreasing Interval	-- Hours
ODE Regreasing Interval	-- Hours
Grease Quantity	--

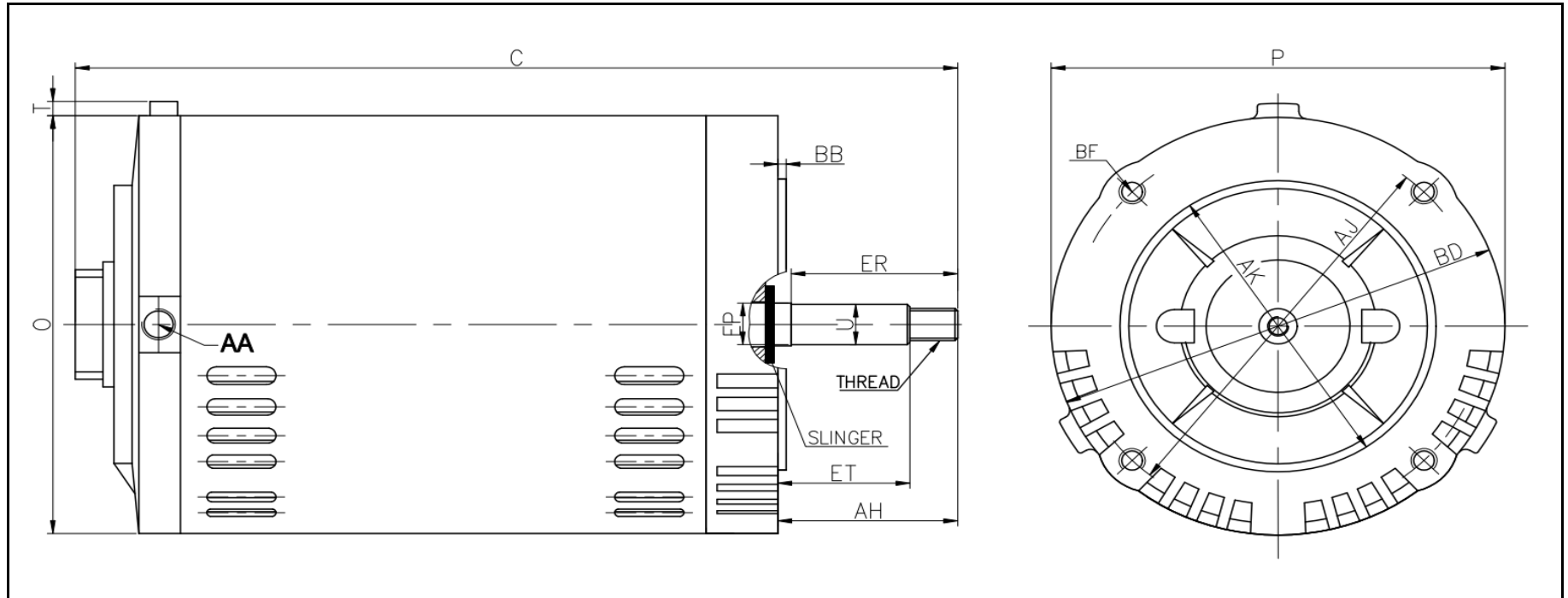
## ADDITIONAL DATA

F2 Suitable	No
Shaft Material	S45C+SUS304
Connection Diagram	9 Lead Wye
Approximate Weight	18.3 lbs.

# ODP Jet Pump Motor Drawing

## 56JRD

WorldWide Electric Corporation  
 1 (800) 808-2131  
 Worldwideelectric.net



### DIMENSIONS - INCHES

C	P	O	T	AA
12.6	6.5	6.5	0.23	1/2 NPT

SHAFT & KEY					
EP	ET	ER	AH	U	THREAD
0.66	1.88	2.37	2.56	0.625	7/16-20 2A UNF

FLANGE				
AK	BD	AJ	BF	BB
4.5	6.5	5.875	4*3/8-16 UNC	0.16

REVISED - 5/4/2022

# NAMEPLATE / WIRING

WorldWide Electric Corporation

1 (800) 808-2131

Worldwideelectric.net



Premium Efficiency Motor: **ODPJ13-36-56JRD**

Document Generated: 5-May-2022  
Document ID:

Customer:

## SAMPLE NAMEPLATE DATA

		OPEN DRIP PROOF THREE PHASE JET PUMP MOTOR						
Model :		Encl : ODP		SN :			4 5 6 	
HP :	Poles : 2	FR :	Ins : F	IP 23	Max Amb 40°C	Duty : Cont	7 8 9 1 2 3 L1 L2 L3 208-230 V	
Hz : 60	CODE :			Design :		4 5 6 7 8 9 L1 L2 L3 460 V		
Volts :	P.F. :			DE BRG :		ODE BRG :		
Amps :	Eff :			WT : LBS		Date :		
RPM :	S.F. :			S.F.A :		Usable on 208V 60Hz network at ___ Amps		
WorldWide Electric Corporation								

<b>Model</b>	ODPJ13-36-56JRD	<b>FR:</b>	56J	<b>Design:</b>	B
<b>HP:</b>	1/3	<b>CODE:</b>	M	<b>DE BRG:</b>	6203-ZZ
<b>Volts:</b>	230/460V	<b>P.F.:</b>	0.74	<b>ODE BRG:</b>	6203-ZZ
<b>Amps:</b>	1.17/0.59A	<b>Eff:</b>	69.5%	<b>WT:</b>	18.3 lbs.
<b>RPM:</b>	3535	<b>S.F.:</b>	1.75	<b>S.F.A:</b>	0.855A
<b>Usable on 208V 60Hz Network at</b>		1.3 A			