

# DATA SHEET

Premium Efficiency Motor: **ODPJ2-36-56CRD**

**60 Hz**

WorldWide Electric Corporation

1 (800) 808-2131

Worldwideelectric.net



Document Generated: 5-May-2022  
Document ID:

Customer:

MOTOR INFORMATION	
HP	2
RPM	3600
Phase	3
Frequency	60
Voltage	230/460
Frame Size	56C
Enclosure	ODP
Degree of Protection	IP23
Service Factor	1.20
Poles	2
Full Load Speed	3510
Insulation Class	F
Temp Rise	80°C
NEMA Code Letter	K
Duty Cycle	S1 / Continuous
Slip	2.54%
NEMA Design	B
Moment of Inertia	0.062150353125 lb.ft.^2
Locked Rotor Time (Hot)	12 seconds
Sound Pressure Level	78 dB(A)
Number of Starts/Hour (Hot)	2
Max Ambient Temperature	40°C
Max Elevation	3300 FASL
Mounting	F1
Rotation	Bi-Directional
Area of Classification	Safe
Inverter Rating	N/A
Standard	NEMA
Approvals	UL

EFFICIENCY/POWER FACTOR		
LOAD	EFF	P. F.
100%	85.5 %	0.86
75%	87.1 %	0.81
50%	85.1 %	0.71

TORQUE		
FULL LOAD	LRT	BDT
2.99 lb.ft.	325 %	364 %

AMPERAGE INFORMATION		
	230V	460V
Full Load Amps	5.002A	2.501A
Locked Rotor Amps	44.72A	22.36A
No Load Current	2.14A	1.07A
Usable at 208V	5.5 A	

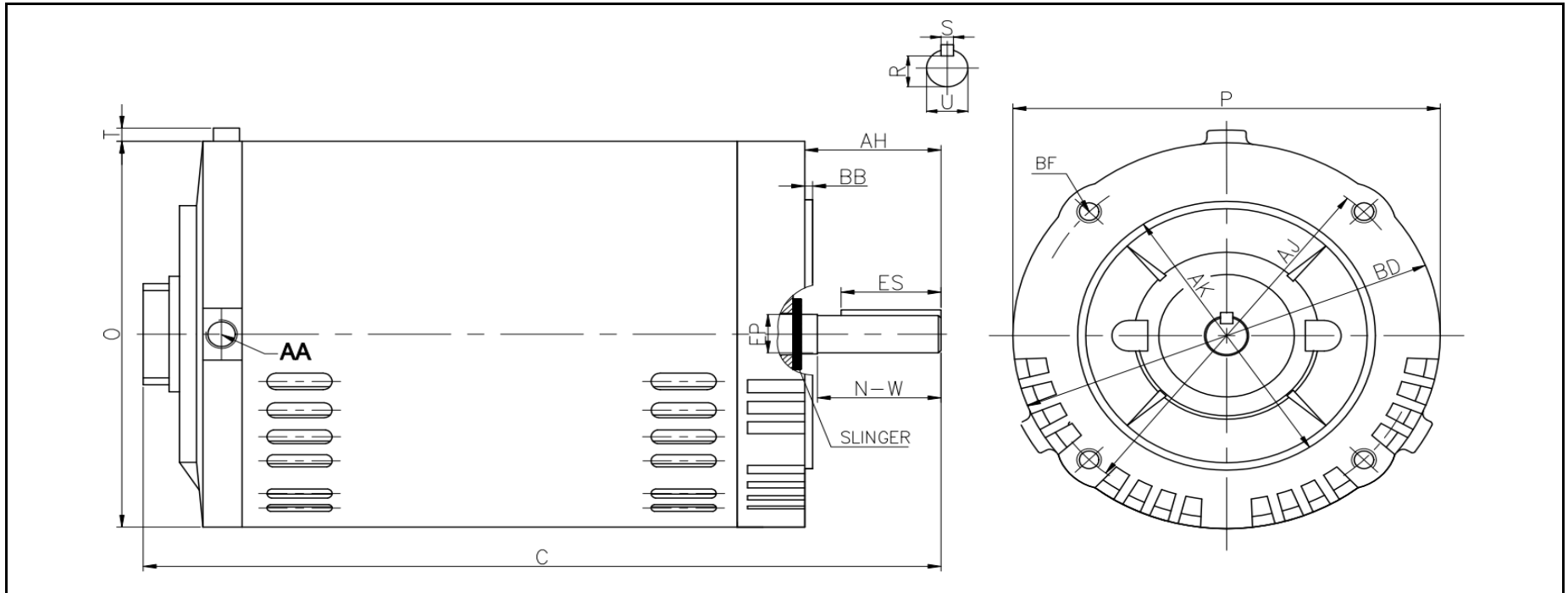
BEARING INFORMATION	
DE Bearing	6203-ZZ
ODE Bearing	6203-ZZ
Grease Type	NS7 ENS
DE Regreasing Interval	-- Hours
ODE Regreasing Interval	-- Hours
Grease Quantity	--

ADDITIONAL DATA	
F2 Suitable	No
Shaft Material	S45C+SUS304
Connection Diagram	9 Lead Wye
Approximate Weight	32 lbs.

# ODP Jet Pump Motor Drawing

56CRD

WorldWide Electric Corporation  
 1 (800) 808-2131  
 Worldwideelectric.net



### DIMENSIONS - INCHES

C	P	O	T	AA
12.1	6.5	6.5	0.23	1/2 NPT

SHAFT & KEY						
S	ES	R	N-W	U	AH	EP
0.188	1.41	0.517	1.88	0.625	2.06	0.66

FLANGE				
AK	BD	AJ	BF	BB
4.5	6.5	5.875	4*3/8-16 UNC	0.16

REVISED - 5/4/2022

# NAMEPLATE / WIRING

WorldWide Electric Corporation

1 (800) 808-2131

Worldwideelectric.net



Premium Efficiency Motor: **ODPJ2-36-56CRD**

Document Generated: 5-May-2022	Customer:
Document ID:	

## SAMPLE NAMEPLATE DATA

		<b>OPEN DRIP PROOF</b> <b>THREE PHASE JET PUMP MOTOR</b>					
Model :		Encl : ODP		SN :			
HP:	Poles : 2	FR:	Ins: F	IP 23	Max Amb 40°C	Duty : Cont	
Hz: 60	CODE:			Design:		L1 L2 L3 208-230 V	
Volts:	P.F.:			DE BRG:			
Amps:	Eff:			ODE BRG:		460 V	
RPM:	S.F.:			WT: LBS		1 2 3 L1 L2 L3	
Usable on 208V 60Hz network at ___ Amps				S.F.A:		Date:	
<b>WorldWide Electric Corporation</b>							

<b>Model</b>	ODPJ2-36-56CRD	<b>FR:</b>	56C	<b>Design:</b>	B
<b>HP:</b>	2	<b>CODE:</b>	K	<b>DE BRG:</b>	6203-ZZ
<b>Volts:</b>	230/460V	<b>P.F.:</b>	0.86	<b>ODE BRG:</b>	6203-ZZ
<b>Amps:</b>	5.00/2.50A	<b>Eff:</b>	85.5%	<b>WT:</b>	32 lbs.
<b>RPM:</b>	3510	<b>S.F.:</b>	1.2		
		<b>S.F.A:</b>	2.946A		
<b>Usable on 208V 60Hz Network at</b>			5.5 A		