

# DATA SHEET

Premium Efficiency Motor: **ODPJ3-36-56CRD**

**60 Hz**

WorldWide Electric Corporation

1 (800) 808-2131

Worldwideelectric.net



Document Generated: 5-May-2022  
Document ID:

Customer:

MOTOR INFORMATION	
HP	3
RPM	3600
Phase	3
Frequency	60
Voltage	230/460
Frame Size	56C
Enclosure	ODP
Degree of Protection	IP23
Service Factor	1.15
Poles	2
Full Load Speed	3500
Insulation Class	F
Temp Rise	80°C
NEMA Code Letter	K
Duty Cycle	S1 / Continuous
Slip	2.78%
NEMA Design	B
Moment of Inertia	0.07286593125 lb.ft.^2
Locked Rotor Time (Hot)	12 seconds
Sound Pressure Level	78 dB(A)
Number of Starts/Hour (Hot)	2
Max Ambient Temperature	40°C
Max Elevation	3300 FASL
Mounting	F1
Rotation	Bi-Directional
Area of Classification	Safe
Inverter Rating	N/A
Standard	NEMA
Approvals	UL

EFFICIENCY/POWER FACTOR		
LOAD	EFF	P. F.
100%	85.5 %	0.87
75%	87.3 %	0.82
50%	86.2 %	0.72

TORQUE		
FULL LOAD	LRT	BDT
4.424 lb.ft.	335 %	357 %

AMPERAGE INFORMATION		
	230V	460V
Full Load Amps	7.352A	3.676A
Locked Rotor Amps	63.36A	31.68A
No Load Current	3.002A	1.501A
Usable at 208V	8.2 A	

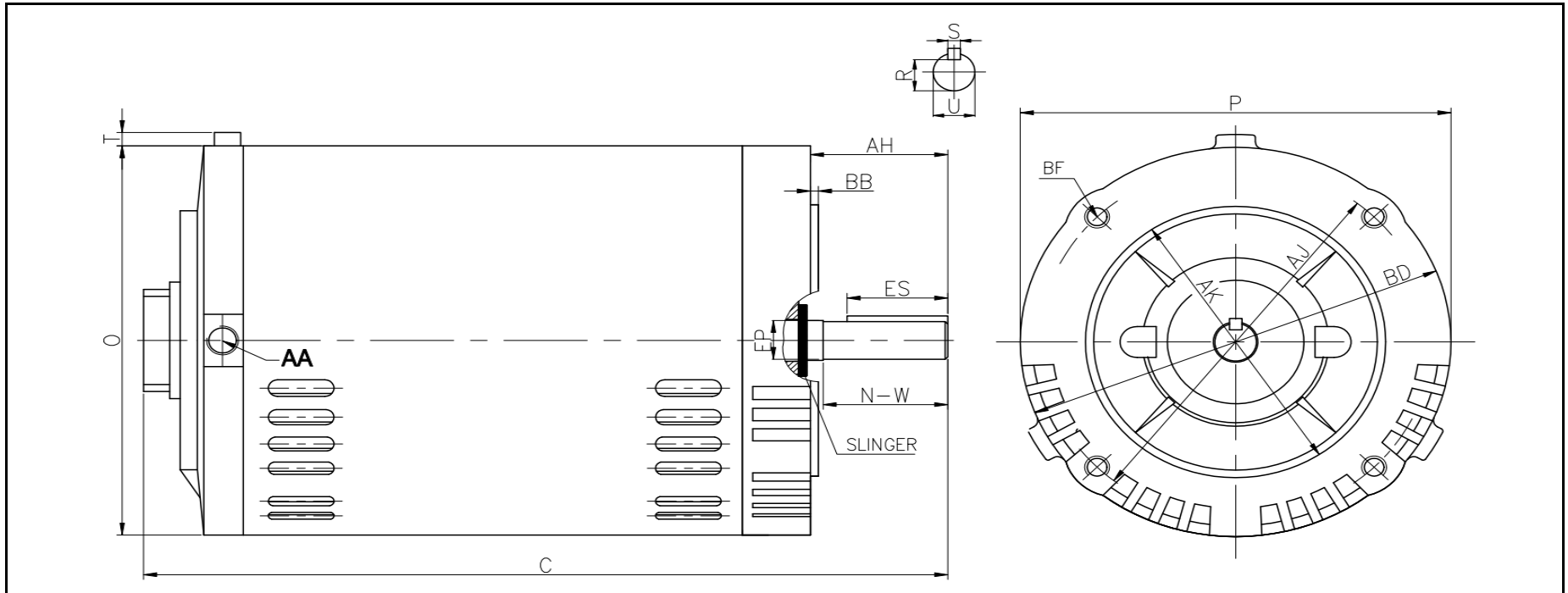
BEARING INFORMATION	
DE Bearing	6203-ZZ
ODE Bearing	6203-ZZ
Grease Type	NS7 ENS
DE Regreasing Interval	-- Hours
ODE Regreasing Interval	-- Hours
Grease Quantity	--

ADDITIONAL DATA	
F2 Suitable	No
Shaft Material	S45C+SUS304
Connection Diagram	9 Lead Wye
Approximate Weight	37.9 lbs.

# ODP Jet Pump Motor Drawing

## 56CRD

WorldWide Electric Corporation  
 1 (800) 808-2131  
 Worldwideelectric.net



### DIMENSIONS - INCHES

C	P	O	T	AA
12.9	6.5	6.5	0.23	1/2 NPT

SHAFT & KEY						
S	ES	R	N-W	U	AH	EP
0.188	1.41	0.517	1.88	0.625	2.06	0.66

FLANGE				
AK	BD	AJ	BF	BB
4.5	6.5	5.875	4*3/8-16 UNC	0.16

REVISED - 5/4/2022

# NAMEPLATE / WIRING

WorldWide Electric Corporation

1 (800) 808-2131

Worldwideelectric.net



Premium Efficiency Motor: **ODPJ3-36-56CRD**

Document Generated: 5-May-2022  
Document ID:

Customer:

## SAMPLE NAMEPLATE DATA

		OPEN DRIP PROOF THREE PHASE JET PUMP MOTOR					
Model :		Encl : ODP		SN :			
HP:	Poles : 2	FR:	Ins: F	IP 23	Max Amb 40°C	Duty : Cont	
Hz: 60	CODE:			Design:			
Volts:	P.F.:			DE BRG:			
Amps:	Eff:			ODE BRG:			
RPM:	S.F.:			WT: LBS			
Usable on 208V 60Hz network at ___ Amps				S.F.A:		Date:	
<b>WorldWide Electric Corporation</b>							208-230 V  460 V

<b>Model</b>	ODPJ3-36-56CRD	<b>FR:</b>	56C	<b>Design:</b>	B
<b>HP:</b>	3	<b>CODE:</b>	K	<b>DE BRG:</b>	6203-ZZ
<b>Volts:</b>	230/460V	<b>P.F.:</b>	0.87	<b>ODE BRG:</b>	6203-ZZ
<b>Amps:</b>	7.35/3.68A	<b>Eff:</b>	85.5%	<b>WT:</b>	37.9 lbs.
<b>RPM:</b>	3500	<b>S.F.:</b>	1.15		
		<b>S.F.A:</b>	4.131A		
<b>Usable on 208V 60Hz Network at</b>			8.2 A		