

DATA SHEET

Premium Efficiency Motor: **ODPJ34-36-56CRD**

60 Hz

WorldWide Electric Corporation

1 (800) 808-2131

Worldwideelectric.net



Document Generated: 5-May-2022

Document ID:

Customer:

MOTOR INFORMATION

HP	3/4
RPM	3600
Phase	3
Frequency	60
Voltage	230/460
Frame Size	56C
Enclosure	ODP
Degree of Protection	IP23
Service Factor	1.50
Poles	2
Full Load Speed	3515
Insulation Class	F
Temp Rise	80°C
NEMA Code Letter	K
Duty Cycle	S1 / Continuous
Slip	2.40%
NEMA Design	B
Moment of Inertia	0.0428623125 lb.ft.^2
Locked Rotor Time (Hot)	12 seconds
Sound Pressure Level	78 dB(A)
Number of Starts/Hour (Hot)	2
Max Ambient Temperature	40°C
Max Elevation	3300 FASL
Mounting	F1
Rotation	Bi-Directional
Area of Classification	Safe
Inverter Rating	N/A
Standard	NEMA
Approvals	UL

EFFICIENCY/POWER FACTOR

LOAD	EFF	P. F.
100%	76.8 %	0.83
75%	79.3 %	0.77
50%	74.6 %	0.66

TORQUE

FULL LOAD	LRT	BDT
1.094 lb.ft.	301 %	349 %

AMPERAGE INFORMATION

	230V	460V
Full Load Amps	2.044A	1.022A
Locked Rotor Amps	16.514A	8.257A
No Load Current	1.0434A	0.5217A
Usable at 208V	2.3 A	

BEARING INFORMATION

DE Bearing	6203-ZZ
ODE Bearing	6203-ZZ
Grease Type	NS7 ENS
DE Regreasing Interval	-- Hours
ODE Regreasing Interval	-- Hours
Grease Quantity	--

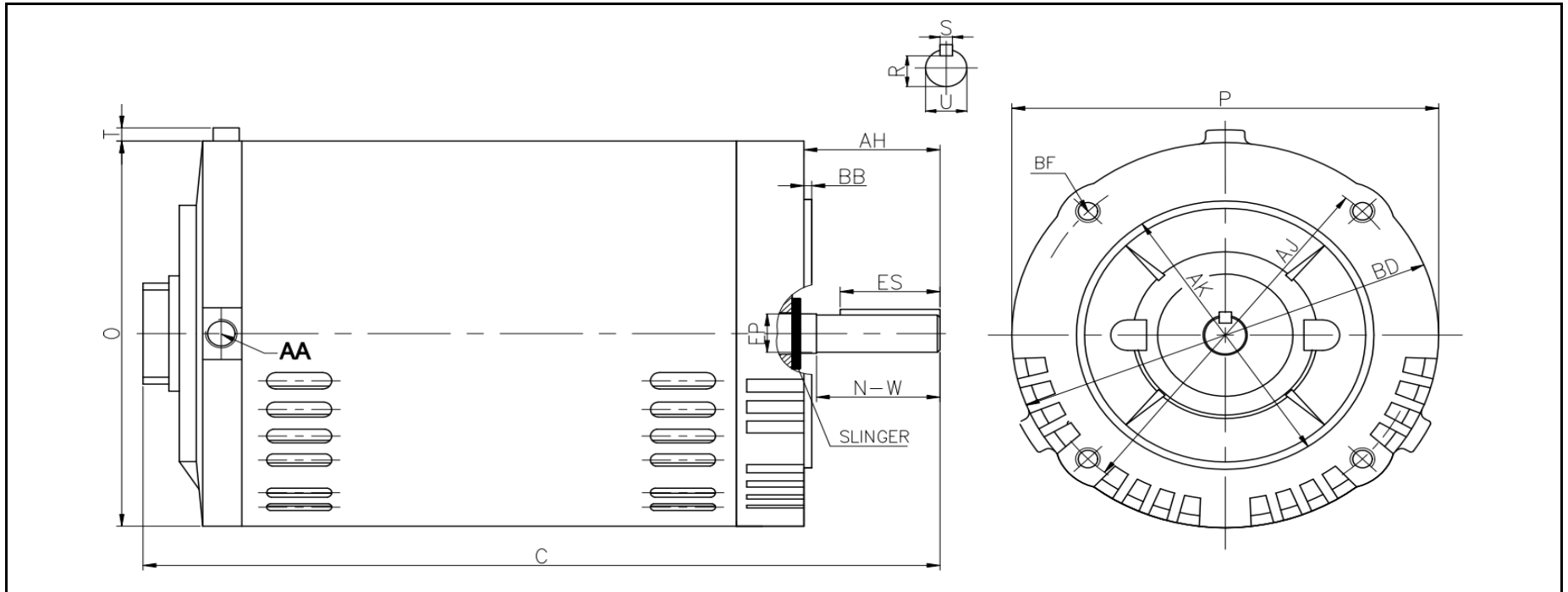
ADDITIONAL DATA

F2 Suitable	No
Shaft Material	S45C+SUS304
Connection Diagram	9 Lead Wye
Approximate Weight	21.4 lbs.

ODP Jet Pump Motor Drawing

56CRD

WorldWide Electric Corporation
 1 (800) 808-2131
 Worldwideelectric.net



DIMENSIONS - INCHES

C	P	O	T	AA
12.1	6.5	6.5	0.23	1/2 NPT

SHAFT & KEY						
S	ES	R	N-W	U	AH	EP
0.188	1.41	0.517	1.88	0.625	2.06	0.66

FLANGE				
AK	BD	AJ	BF	BB
4.5	6.5	5.875	4*3/8-16 UNC	0.16

NAMEPLATE / WIRING

WorldWide Electric Corporation

1 (800) 808-2131

Worldwideelectric.net



Premium Efficiency Motor: **ODPJ34-36-56CRD**

Document Generated: 5-May-2022
Document ID:

Customer:

SAMPLE NAMEPLATE DATA

		OPEN DRIP PROOF THREE PHASE JET PUMP MOTOR							
Model :		Encl : ODP		SN :				4 5 6 	
HP :	Poles : 2	FR :	Ins : F	IP 23	Max Amb 40°C	Duty : Cont			
Hz : 60	CODE :			Design :		7 8 9 1 2 3 L1 L2 L3 208-230 V			
Volts :	P.F. :			DE BRG :		4 5 6 7 8 9			
Amps :	Eff :			ODE BRG :		1 2 3 L1 L2 L3 460 V			
RPM :	S.F. :			WT : LBS		Date :			
Usable on 208V 60Hz network at ___ Amps				S.F.A :		Date :			
WorldWide Electric Corporation									

Model	ODPJ34-36-56CRD	FR:	56C	Design:	B
HP:	3/4	CODE:	K	DE BRG:	6203-ZZ
Volts:	230/460V	P.F.:	0.83	ODE BRG:	6203-ZZ
Amps:	2.04/1.02A	Eff:	76.8%	WT:	21.4 lbs.
RPM:	3515	S.F.:	1.5		
		S.F.A:	1.446A		
Usable on 208V 60Hz Network at			2.3 A		