

DATA SHEET

Premium Efficiency Motor: **ODPJ34-36-56JRD**

60 Hz

WorldWide Electric Corporation

1 (800) 808-2131

Worldwideelectric.net



Document Generated: 5-May-2022

Document ID:

Customer:

MOTOR INFORMATION

| | |
|-----------------------------|-----------------------|
| HP | 3/4 |
| RPM | 3600 |
| Phase | 3 |
| Frequency | 60 |
| Voltage | 230/460 |
| Frame Size | 56J |
| Enclosure | ODP |
| Degree of Protection | IP23 |
| Service Factor | 1.50 |
| Poles | 2 |
| Full Load Speed | 3515 |
| Insulation Class | F |
| Temp Rise | 80°C |
| NEMA Code Letter | K |
| Duty Cycle | S1 / Continuous |
| Slip | 2.40% |
| NEMA Design | B |
| Moment of Inertia | 0.0428623125 lb.ft.^2 |
| Locked Rotor Time (Hot) | 12 seconds |
| Sound Pressure Level | 78 dB(A) |
| Number of Starts/Hour (Hot) | 2 |
| Max Ambient Temperature | 40°C |
| Max Elevation | 3300 FASL |
| Mounting | F1 |
| Rotation | Bi-Directional |
| Area of Classification | Safe |
| Inverter Rating | N/A |
| Standard | NEMA |
| Approvals | UL |

EFFICIENCY/POWER FACTOR

| LOAD | EFF | P. F. |
|------|--------|-------|
| 100% | 76.8 % | 0.83 |
| 75% | 79.3 % | 0.77 |
| 50% | 74.6 % | 0.66 |

TORQUE

| FULL LOAD | LRT | BDT |
|--------------|-------|-------|
| 1.094 lb.ft. | 301 % | 349 % |

AMPERAGE INFORMATION

| | 230V | 460V |
|-------------------|---------|---------|
| Full Load Amps | 2.044A | 1.022A |
| Locked Rotor Amps | 16.514A | 8.257A |
| No Load Current | 1.0434A | 0.5217A |
| Usable at 208V | 2.3 A | |

BEARING INFORMATION

| | |
|-------------------------|----------|
| DE Bearing | 6203-ZZ |
| ODE Bearing | 6203-ZZ |
| Grease Type | NS7 ENS |
| DE Regreasing Interval | -- Hours |
| ODE Regreasing Interval | -- Hours |
| Grease Quantity | -- |

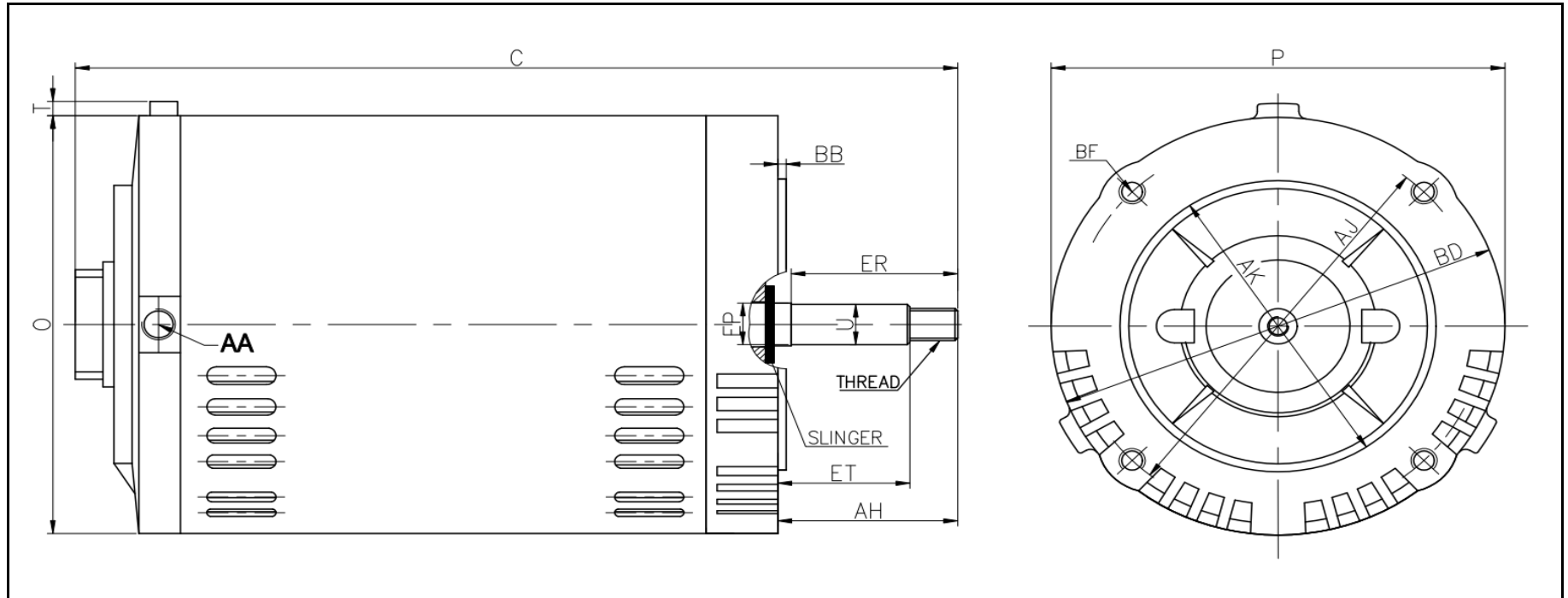
ADDITIONAL DATA

| | |
|--------------------|-------------|
| F2 Suitable | No |
| Shaft Material | S45C+SUS304 |
| Connection Diagram | 9 Lead Wye |
| Approximate Weight | 21.4 lbs. |

ODP Jet Pump Motor Drawing

56JRD

WorldWide Electric Corporation
 1 (800) 808-2131
 Worldwideelectric.net



DIMENSIONS - INCHES

| C | P | O | T | AA |
|------|-----|-----|------|---------|
| 12.6 | 6.5 | 6.5 | 0.23 | 1/2 NPT |

| SHAFT & KEY | | | | | |
|-------------|------|------|------|-------|----------------|
| EP | ET | ER | AH | U | THREAD |
| 0.66 | 1.88 | 2.37 | 2.56 | 0.625 | 7/16-20 2A UNF |

| FLANGE | | | | |
|--------|-----|-------|--------------|------|
| AK | BD | AJ | BF | BB |
| 4.5 | 6.5 | 5.875 | 4*3/8-16 UNC | 0.16 |

REVISED - 5/4/2022

NAMEPLATE / WIRING

WorldWide Electric Corporation

1 (800) 808-2131

Worldwideelectric.net



Premium Efficiency Motor: **ODPJ34-36-56JRD**

Document Generated: 5-May-2022
Document ID:

Customer:

SAMPLE NAMEPLATE DATA

| | | | | | | | | |
|--------------------------------|-----------|---|---------|----------|--------------|---|---|--|
| | | OPEN DRIP PROOF THREE PHASE JET PUMP MOTOR | | | | | | |
| Model : | | Encl : ODP | | SN : | | | 4 5 6 | |
| HP : | Poles : 2 | FR : | Ins : F | IP 23 | Max Amb 40°C | Duty : Cont | 7 8 9 1 2 3 L1 L2 L3 208-230 V | |
| Hz : 60 | CODE: | | | Design : | | 4 5 6 7 8 9 L1 L2 L3 460 V | | |
| Volts : | P.F. : | | | DE BRG : | | ODE BRG : | | |
| Amps : | Eff : | | | WT : LBS | | Date : | | |
| RPM : | S.F. : | | | S.F.A : | | Usable on 208V 60Hz network at ___ Amps | | |
| WorldWide Electric Corporation | | | | | | | | |

| | | | | | |
|---------------------------------------|-----------------|--------------|-------|-----------------|-----------|
| Model | ODPJ34-36-56JRD | FR: | 56J | Design: | B |
| HP: | 3/4 | CODE: | K | DE BRG: | 6203-ZZ |
| Volts: | 230/460V | P.F.: | 0.83 | ODE BRG: | 6203-ZZ |
| Amps: | 2.04/1.02A | Eff: | 76.8% | WT: | 21.4 lbs. |
| RPM: | 3515 | S.F.: | 1.5 | S.F.A: | 1.446A |
| | | | | | 2.3 A |
| Usable on 208V 60Hz Network at | | | | | |