

DATA SHEET

Premium Efficiency Motor: **OJ1-36-56JB,**

60 Hz

WorldWide Electric Corporation

1 (800) 808-2131

Worldwideelectric.net



Document Generated: 5-May-2022
Document ID:

Customer:

MOTOR INFORMATION	
HP	1
RPM	3600
Phase	1
Frequency	60 Hz
Voltage	115/230
Frame Size	56J
Enclosure	ODP
Degree of Protection	IP23
Service Factor	1.40
Poles	2
Full Load Speed	3515
Insulation Class	F
Temp Rise	80°C
NEMA Code Letter	K
Duty Cycle	S1 / Continuous
Slip	2.33%
NEMA Design	N
Moment of Inertia	0.0493 lb.ft.^2
Locked Rotor Time (Hot)	12 seconds
Sound Pressure Level	78 dB(A)
Number of Starts	2
Max Ambient Temperature	40°C
Max Elevation	1000 m.a.s.l (3300 f.a.s.l)
Mounting	F1
Rotation	CW Facing ODE
Area of Classification	Safe
Inverter Rating	N/A
Standard	NEMA MG-1
Approvals	UL

EFFICIENCY/POWER FACTOR		
LOAD	EFF	P. F.
100%	80.4 %	0.97
75%	79.9 %	0.97
50%	74.7 %	0.96

TORQUE		
FULL LOAD	LRT	BDT
1.503 lb.ft.	292 %	332 %

AMPERAGE INFORMATION		
	115V	230V
Full Load Amps	8.204A	4.102A
Locked Rotor Amps	69.88A	34.94A
No Load Current	1.8548A	0.9274A
Usable at 208V	4.6A	

BEARING INFORMATION	
DE Bearing	6203-ZZ
ODE Bearing	6203-ZZ
Grease Type	NS7 ENS
DE Regreasing Interval	- Hours
ODE Regreasing Interval	- Hours
Grease Quantity	-

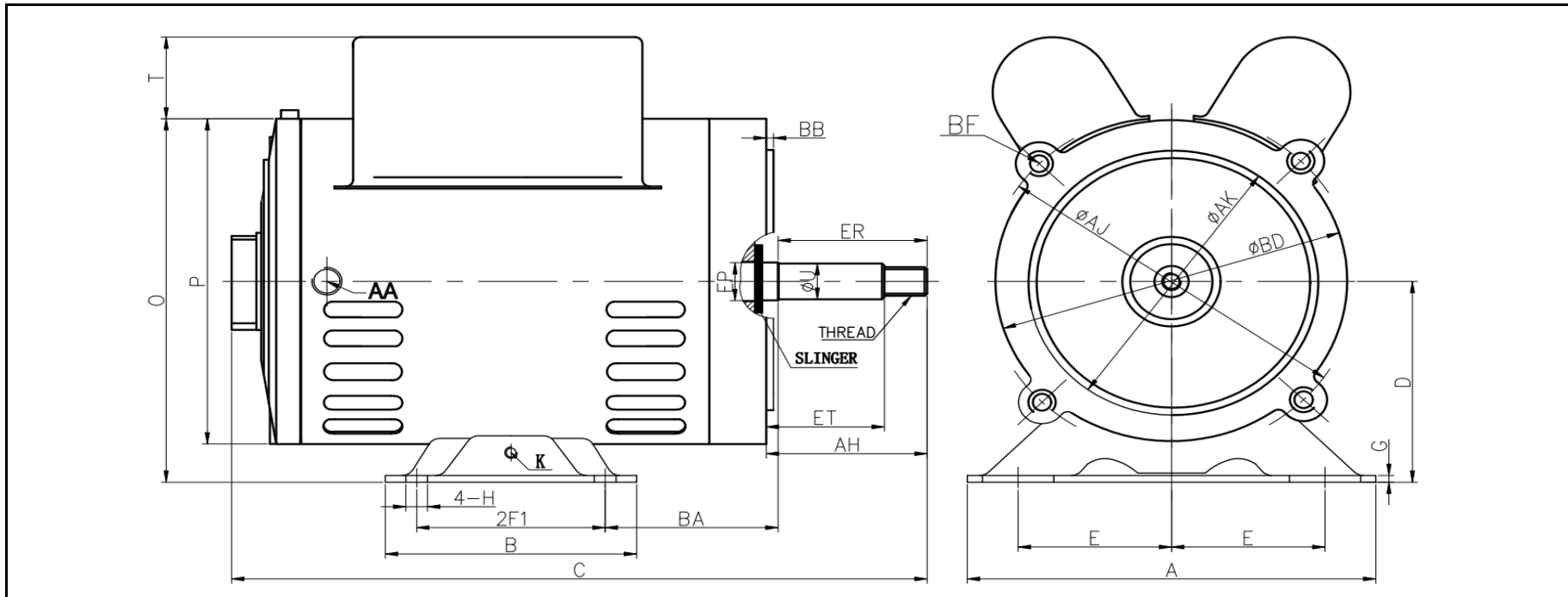
CAPACITOR INFORMATION	
Start Capacitor	1 - 300-360µf/125V
Run Capacitor	1 - 35µf/350V

ADDITIONAL DATA	
F2 Suitable	No
Shaft Material	S45C + SUS304
Connection Diagram	115 / 230 V - 3 Lead
Approximate Weight	30.2 lbs.

ODP Jet Pump Motor Drawing

56JB

WorldWide Electric Corporation
1 (800) 808-2131
Worldwideelectric.net



DIMENSIONS - INCHES

MOUNTING				A	B	C	D	G	P	O	T	Ground Lug	AA
E	2F1	H	BA									K	
2.44	3	0.34	2.75	6.3	4	11.5	3.5	0.08	5.67	6.4	1.43	M5	1/2 NPT

SHAFT & KEY					
EP	ET	ER	AH	U	THREAD
0.66	1.88	2.37	2.56	0.625	7/16-20 2A UNF

FLANGE				
AK	BD	AJ	BF	BB
4.5	5.67	5.875	4*3/8-16 UNC	0.16

NAMEPLATE / WIRING

Premium Efficiency Motor: **OJ1-36-56JB**

WorldWide Electric Corporation

1 (800) 808-2131

Worldwideelectric.net



Document Generated: 5-May-2022
Document ID:

Customer:

SAMPLE NAMEPLATE DATA

		OPEN DRIP PROOF SINGLE PHASE JET PUMP MOTOR							
Model :		Encl : ODP		SN :			CW ROTATION OPE		
HP :	Poles : 2	FR :	Ins : F	IP 23	Max Amb 40°C	Duty : Cont	HIGH VOLTAGE ② ① — L1 T8 — ④ — L2 T2 — T3 — ③		
Hz : 60	CODE:			Design :			LOW VOLTAGE ② — T3 L1 — ① L2 — ④ — T8 T2 — ③		
Volts :	P.F. :			DE BRG :					
Amps :	Eff :			ODE BRG :					
RPM :	S.F. :			WT : LBS					
Usable on 208V 60Hz network at ___ Amps				S.F.A :		Date :			
WorldWide Electric Corporation									

Model	OJ1-36-56JB	Frame	56J	Design	N
HP	1	Code	K	DE Brg	6203-ZZ
Hz	60 Hz	P.F.	0.97	ODE Brg	6203-ZZ
Voltage	115/230	Nom.Eff.	80.4%	WT	30.2 lbs.
Amps	8.204A/4.102A	S.F.	1.4		
RPM	3515	S.F.A	5.93A		
Usable on 208V 60Hz Network at		4.6A			