

DATA SHEET

Premium Efficiency Motor: **OJ12-36-56CB,**

60 Hz

WorldWide Electric Corporation

1 (800) 808-2131

Worldwideelectric.net



Document Generated: 5-May-2022
Document ID:

Customer:

| MOTOR INFORMATION | |
|-------------------------|-----------------------------|
| HP | 1/2 |
| RPM | 3600 |
| Phase | 1 |
| Frequency | 60 Hz |
| Voltage | 115/230 |
| Frame Size | 56C |
| Enclosure | ODP |
| Degree of Protection | IP23 |
| Service Factor | 1.60 |
| Poles | 2 |
| Full Load Speed | 3540 |
| Insulation Class | F |
| Temp Rise | 80°C |
| NEMA Code Letter | L |
| Duty Cycle | S1 / Continuous |
| Slip | 1.71% |
| NEMA Design | N |
| Moment of Inertia | 0.0343 lb.ft.^2 |
| Locked Rotor Time (Hot) | 12 seconds |
| Sound Pressure Level | 78 dB(A) |
| Number of Starts | 2 |
| Max Ambient Temperature | 40°C |
| Max Elevation | 1000 m.a.s.l (3300 f.a.s.l) |
| Mounting | F1 |
| Rotation | CW Facing ODE |
| Area of Classification | Safe |
| Inverter Rating | N/A |
| Standard | NEMA MG-1 |
| Approvals | UL |

| EFFICIENCY/POWER FACTOR | | |
|-------------------------|--------|-------|
| LOAD | EFF | P. F. |
| 100% | 72.4 % | 0.89 |
| 75% | 71.1 % | 0.85 |
| 50% | 61.6 % | 0.79 |

| TORQUE | | |
|--------------|-------|-------|
| FULL LOAD | LRT | BDT |
| 0.737 lb.ft. | 390 % | 394 % |

| AMPERAGE INFORMATION | | |
|----------------------|--------|--------|
| | 115V | 230V |
| Full Load Amps | 4.802A | 2.401A |
| Locked Rotor Amps | 43.08A | 21.54A |
| No Load Current | 2.364A | 1.182A |
| Usable at 208V | 2.7A | |

| BEARING INFORMATION | |
|-------------------------|---------|
| DE Bearing | 6203-ZZ |
| ODE Bearing | 6203-ZZ |
| Grease Type | NS7 ENS |
| DE Regreasing Interval | - Hours |
| ODE Regreasing Interval | - Hours |
| Grease Quantity | - |

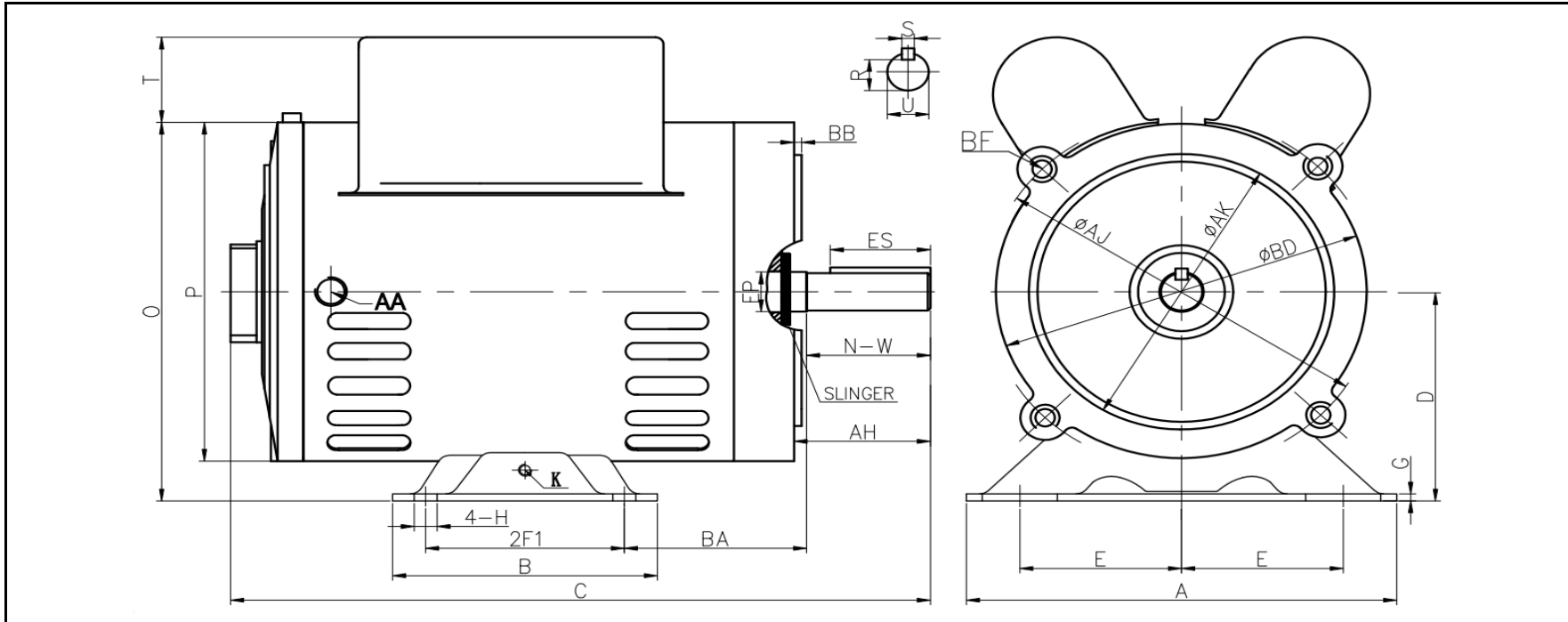
| CAPACITOR INFORMATION | |
|-----------------------|--------------------|
| Start Capacitor | 1 - 200-240µf/125V |
| Run Capacitor | 1 - 25µf/250V |

| ADDITIONAL DATA | |
|--------------------|----------------------|
| F2 Suitable | No |
| Shaft Material | S45C + SUS304 |
| Connection Diagram | 115 / 230 V - 3 Lead |
| Approximate Weight | 25 lbs. |

ODP Jet Pump Motor Drawing

56CB

WorldWide Electric Corporation
 1 (800) 808-2131
 Worldwideelectric.net



DIMENSIONS - INCHES

| MOUNTING | | | | A | B | C | D | G | P | O | T | Ground Lug K | AA |
|----------|-----|------|------|-----|---|------|-----|------|------|-----|------|-----------------|---------|
| E | 2F1 | H | BA | | | | | | | | | | |
| 2.44 | 3 | 0.34 | 2.75 | 6.3 | 4 | 10.6 | 3.5 | 0.08 | 5.67 | 6.4 | 1.43 | M5 | 1/2 NPT |

| SHAFT & KEY | | | | | | |
|-------------|-------|------|-------|------|-------|------|
| EP | S | ES | R | N-W | U | AH |
| 0.66 | 0.188 | 1.41 | 0.517 | 1.88 | 0.625 | 2.06 |

| FLANGE | | | | |
|--------|------|-------|--------------|------|
| AK | BD | AJ | BF | BB |
| 4.5 | 5.67 | 5.875 | 4*3/8-16 UNC | 0.16 |

NAMEPLATE / WIRING

Premium Efficiency Motor: **OJ12-36-56CB**

WorldWide Electric Corporation

1 (800) 808-2131

Worldwideelectric.net



Document Generated: 5-May-2022
Document ID:

Customer:

SAMPLE NAMEPLATE DATA

| | | | | | | | |
|---|-----------|--|-----------|--------|--------------|-----------------|---|
| | | OPEN DRIP PROOF SINGLE PHASE JET PUMP MOTOR | | | | | |
| Model : | | Encl : ODP | | SN : | | CW ROTATION OPE | |
| HP : | Poles : 2 | FR : | Ins : F | IP 23 | Max Amb 40°C | Duty : Cont | HIGH VOLTAGE ② ① — L1 T8 — ④ — L2 T2 — T3 — ③ |
| Hz : 60 | CODE: | | Design : | | | | LOW VOLTAGE ② — T3 L1 — ① L2 — ④ — T8 T2 — ③ |
| Volts : | P.F. : | | DE BRG : | | | | |
| Amps : | Eff : | | ODE BRG : | | | | |
| RPM : | S.F. : | | WT : LBS | | | | |
| Usable on 208V 60Hz network at ___ Amps | | S.F.A : | | Date : | | | |
| WorldWide Electric Corporation | | | | | | | |

| | | | | | |
|---------------------------------------|---------------|-----------------|--------|----------------|---------|
| Model | OJ12-36-56CB | Frame | 56C | Design | N |
| HP | 1/2 | Code | L | DE Brg | 6203-ZZ |
| Hz | 60 Hz | P.F. | 0.89 | ODE Brg | 6203-ZZ |
| Voltage | 115/230 | Nom.Eff. | 72.4% | WT | 25 lbs. |
| Amps | 4.802A/2.401A | S.F. | 1.6 | | |
| RPM | 3540 | S.F.A | 3.576A | | |
| Usable on 208V 60Hz Network at | | 2.7A | | | |