

# DATA SHEET

Premium Efficiency Motor: **OJ13-36-56CB,**

**60 Hz**

WorldWide Electric Corporation

1 (800) 808-2131

Worldwideelectric.net



Document Generated: 5-May-2022  
Document ID:

Customer:

## MOTOR INFORMATION

HP	1/3
RPM	3600
Phase	1
Frequency	60 Hz
Voltage	115/230
Frame Size	56C
Enclosure	ODP
Degree of Protection	IP23
Service Factor	1.75
Poles	2
Full Load Speed	3545
Insulation Class	F
Temp Rise	80°C
NEMA Code Letter	M
Duty Cycle	S1 / Continuous
Slip	1.51%
NEMA Design	N
Moment of Inertia	0.0234 lb.ft.^2
Locked Rotor Time (Hot)	12 seconds
Sound Pressure Level	78 dB(A)
Number of Starts	2
Max Ambient Temperature	40°C
Max Elevation	1000 m.a.s.l (3300 f.a.s.l)
Mounting	F1
Rotation	CW Facing ODE
Area of Classification	Safe
Inverter Rating	N/A
Standard	NEMA MG-1
Approvals	UL

## EFFICIENCY/POWER FACTOR

LOAD	EFF	P. F.
100%	70.5 %	0.96
75%	66.7 %	0.94
50%	56.8 %	0.91

## TORQUE

FULL LOAD	LRT	BDT
0.497 lb.ft.	374 %	428 %

## AMPERAGE INFORMATION

	115V	230V
Full Load Amps	3.168A	1.584A
Locked Rotor Amps	34.72A	17.36A
No Load Current	1.3414A	0.6707A
Usable at 208V	1.8A	

## BEARING INFORMATION

DE Bearing	6203-ZZ
ODE Bearing	6203-ZZ
Grease Type	NS7 ENS
DE Regreasing Interval	- Hours
ODE Regreasing Interval	- Hours
Grease Quantity	-

## CAPACITOR INFORMATION

Start Capacitor	1 - 200-240µf/125V
Run Capacitor	1 - 25µf/250V

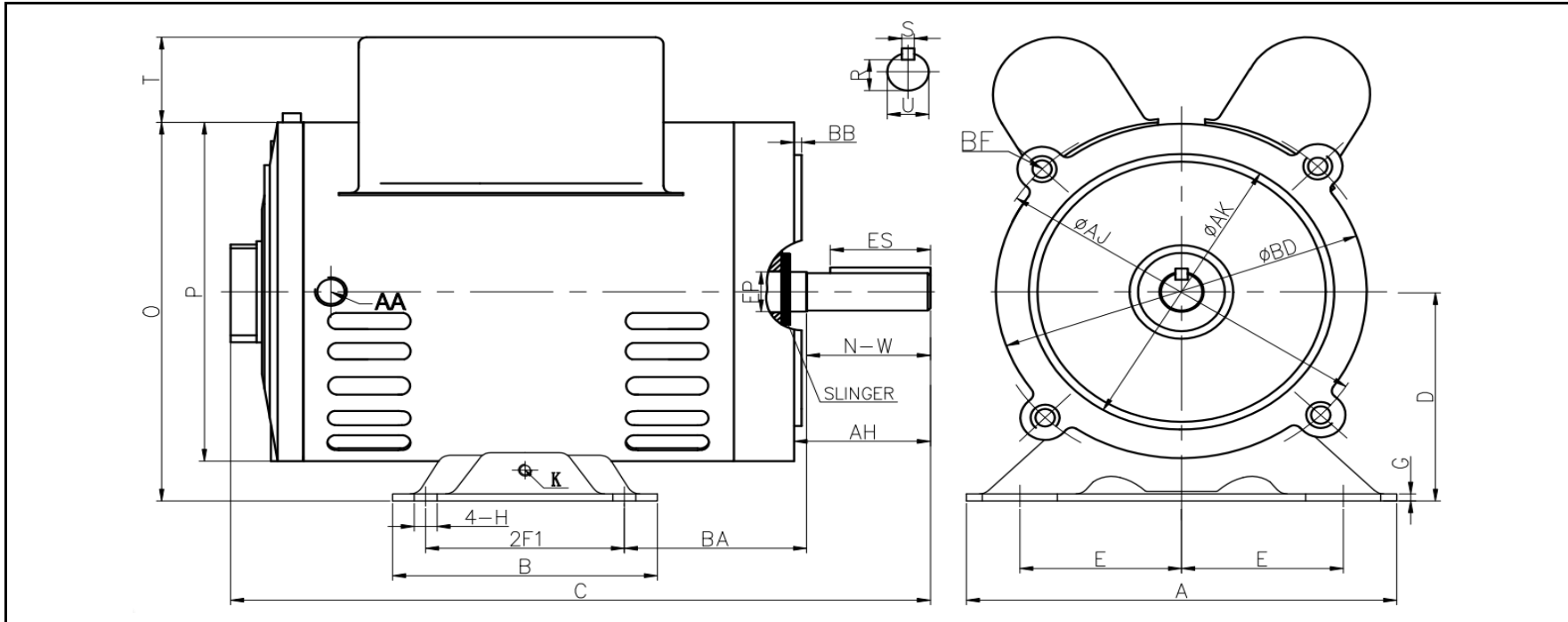
## ADDITIONAL DATA

F2 Suitable	No
Shaft Material	S45C + SUS304
Connection Diagram	115 / 230 V - 3 Lead
Approximate Weight	23.8 lbs.

# ODP Jet Pump Motor Drawing

56CB

WorldWide Electric Corporation  
 1 (800) 808-2131  
 Worldwideelectric.net



### DIMENSIONS - INCHES

MOUNTING				A	B	C	D	G	P	O	T	Ground Lug K	AA
E	2F1	H	BA										
2.44	3	0.34	2.75	6.3	4	10.6	3.5	0.08	5.67	6.4	1.43	M5	1/2 NPT

SHAFT & KEY						
EP	S	ES	R	N-W	U	AH
0.66	0.188	1.41	0.517	1.88	0.625	2.06

FLANGE				
AK	BD	AJ	BF	BB
4.5	5.67	5.875	4*3/8-16 UNC	0.16

# NAMEPLATE / WIRING

Premium Efficiency Motor: **OJ13-36-56CB**

WorldWide Electric Corporation

1 (800) 808-2131

Worldwideelectric.net



Document Generated: 5-May-2022  
Document ID:

Customer:

## SAMPLE NAMEPLATE DATA

		<b>OPEN DRIP PROOF SINGLE PHASE JET PUMP MOTOR</b>					
Model :		Encl : ODP		SN :		CW ROTATION OPE	
HP :	Poles : 2	FR :	Ins : F	IP 23	Max Amb 40°C	Duty : Cont	<b>HIGH VOLTAGE</b> ② ① — L1 T8 — ④ — L2 T2 — T3 — ③
Hz : 60	CODE:		Design :				<b>LOW VOLTAGE</b> ② — T3 L1 — ① L2 — ④ — T8 — T2 ③
Volts :	P.F. :		DE BRG :				
Amps :	Eff :		ODE BRG :				
RPM :	S.F. :		WT : LBS				
Usable on 208V 60Hz network at ___ Amps		S.F.A :		Date :			
<b>WorldWide Electric Corporation</b>							

<b>Model</b>	OJ13-36-56CB	<b>Frame</b>	56C	<b>Design</b>	N
<b>HP</b>	1/3	<b>Code</b>	M	<b>DE Brg</b>	6203-ZZ
<b>Hz</b>	60 Hz	<b>P.F.</b>	0.96	<b>ODE Brg</b>	6203-ZZ
<b>Voltage</b>	115/230	<b>Nom.Eff.</b>	70.5%	<b>WT</b>	23.8 lbs.
<b>Amps</b>	3.168A/1.584A	<b>S.F.</b>	1.75		
<b>RPM</b>	3545	<b>S.F.A</b>	2.625A		
<b>Usable on 208V 60Hz Network at</b>		1.8A			