

DATA SHEET

Premium Efficiency Motor: **OJ13-36-56CRD,**

60 Hz

WorldWide Electric Corporation

1 (800) 808-2131

Worldwideelectric.net



Document Generated: 5-May-2022
Document ID:

Customer:

MOTOR INFORMATION	
HP	1/3
RPM	3600
Phase	1
Frequency	60 Hz
Voltage	115/230
Frame Size	56C
Enclosure	ODP
Degree of Protection	IP23
Service Factor	1.75
Poles	2
Full Load Speed	3545
Insulation Class	F
Temp Rise	80°C
NEMA Code Letter	M
Duty Cycle	S1 / Continuous
Slip	1.51%
NEMA Design	N
Moment of Inertia	0.0234 lb.ft.^2
Locked Rotor Time (Hot)	12 seconds
Sound Pressure Level	78 dB(A)
Number of Starts	2
Max Ambient Temperature	40°C
Max Elevation	1000 m.a.s.l (3300 f.a.s.l)
Mounting	F1
Rotation	CW Facing ODE
Area of Classification	Safe
Inverter Rating	N/A
Standard	NEMA MG-1
Approvals	UL

EFFICIENCY/POWER FACTOR		
LOAD	EFF	P. F.
100%	70.5 %	0.96
75%	66.7 %	0.94
50%	56.8 %	0.91

TORQUE		
FULL LOAD	LRT	BDT
0.497 lb.ft.	374 %	428 %

AMPERAGE INFORMATION		
	115V	230V
Full Load Amps	3.168A	1.584A
Locked Rotor Amps	34.72A	17.36A
No Load Current	1.3414A	0.6707A
Usable at 208V	1.8A	

BEARING INFORMATION	
DE Bearing	6203-ZZ
ODE Bearing	6203-ZZ
Grease Type	NS7 ENS
DE Regreasing Interval	- Hours
ODE Regreasing Interval	- Hours
Grease Quantity	-

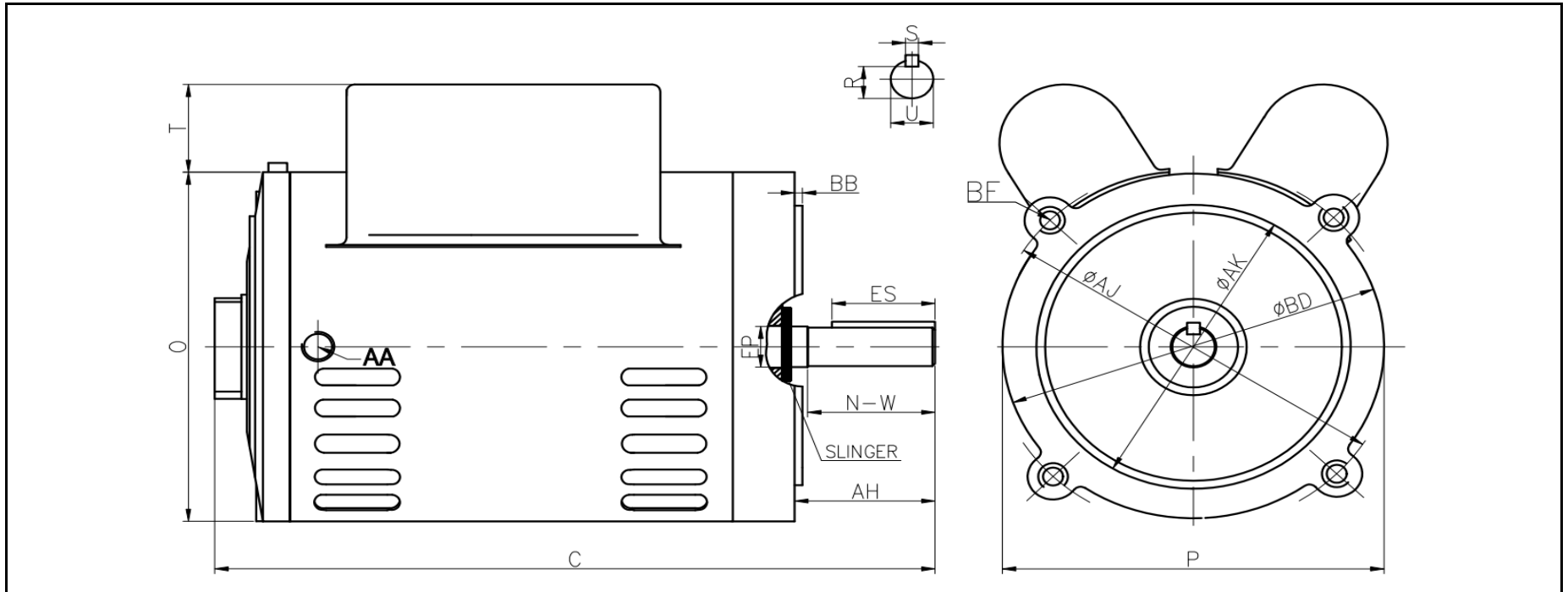
CAPACITOR INFORMATION	
Start Capacitor	1 - 200-240µf/125V
Run Capacitor	1 - 25µf/250V

ADDITIONAL DATA	
F2 Suitable	No
Shaft Material	S45C + SUS304
Connection Diagram	115 / 230 V - 3 Lead
Approximate Weight	21.6 lbs.

ODP Jet Pump Motor Drawing

56CRD

WorldWide Electric Corporation
 1 (800) 808-2131
 Worldwideelectric.net



DIMENSIONS - INCHES

C	P	O	T	AA
10.6	5.67	5.67	1.43	1/2 NPT

SHAFT & KEY						
S	ES	R	N-W	U	AH	EP
0.188	1.41	0.517	1.88	0.625	2.06	0.66

FLANGE				
AK	BD	AJ	BF	BB
4.5	5.67	5.875	4*3/8-16 UNC	0.12

NAMEPLATE / WIRING

Premium Efficiency Motor: **OJ13-36-56CRD**

WorldWide Electric Corporation

1 (800) 808-2131

Worldwideelectric.net



Document Generated: 5-May-2022
Document ID:

Customer:

SAMPLE NAMEPLATE DATA

		OPEN DRIP PROOF SINGLE PHASE JET PUMP MOTOR					
Model :		Encl : ODP		SN :		CW ROTATION OPE	
HP :	Poles : 2	FR :	Ins : F	IP 23	Max Amb 40°C	Duty : Cont	HIGH VOLTAGE ② ① — L1 T8 — ④ — L2 T2 — T3 — ③
Hz : 60	CODE:		Design :				LOW VOLTAGE ② — T3 L1 — ① L2 — ④ — T8 — T2 ③
Volts :	P.F. :		DE BRG :				
Amps :	Eff :		ODE BRG :				
RPM :	S.F. :		WT : LBS				
Usable on 208V 60Hz network at ___ Amps		S.F.A :		Date :			
WorldWide Electric Corporation							

Model	OJ13-36-56CRD	Frame	56C	Design	N
HP	1/3	Code	M	DE Brg	6203-ZZ
Hz	60 Hz	P.F.	0.96	ODE Brg	6203-ZZ
Voltage	115/230	Nom.Eff.	70.5%	WT	21.6 lbs.
Amps	3.168A/1.584A	S.F.	1.75		
RPM	3545	S.F.A	2.625A		
Usable on 208V 60Hz Network at		1.8A			