

# DATA SHEET

Premium Efficiency Motor: **OJ3-36-56JB,**

**60 Hz**

WorldWide Electric Corporation

1 (800) 808-2131

Worldwideelectric.net



Document Generated: 5-May-2022  
Document ID:

Customer:

MOTOR INFORMATION	
HP	3
RPM	3600
Phase	1
Frequency	60 Hz
Voltage	230
Frame Size	56J
Enclosure	ODP
Degree of Protection	IP23
Service Factor	1.15
Poles	2
Full Load Speed	3515
Insulation Class	F
Temp Rise	80°C
NEMA Code Letter	H
Duty Cycle	S1 / Continuous
Slip	2.31%
NEMA Design	L
Moment of Inertia	0.089 lb.ft.²
Locked Rotor Time (Hot)	12 seconds
Sound Pressure Level	78 dB(A)
Number of Starts	2
Max Ambient Temperature	40°C
Max Elevation	1000 m.a.s.l (3300 f.a.s.l)
Mounting	F1
Rotation	CW Facing ODE
Area of Classification	Safe
Inverter Rating	N/A
Standard	NEMA MG-1
Approvals	UL

EFFICIENCY/POWER FACTOR		
LOAD	EFF	P. F.
100%	84.1 %	0.98
75%	84.1 %	0.98
50%	79.9 %	0.96

TORQUE		
FULL LOAD	LRT	BDT
4.409 lb.ft.	334 %	674 %

AMPERAGE INFORMATION		
	115V	230V
Full Load Amps	22.84A	11.42A
Locked Rotor Amps	176.64A	88.32A
No Load Current	N/AA	2.194A
Usable at 208V	12.7A	

BEARING INFORMATION	
DE Bearing	6203-ZZ
ODE Bearing	6203-ZZ
Grease Type	NS7 ENS
DE Regreasing Interval	- Hours
ODE Regreasing Interval	- Hours
Grease Quantity	-

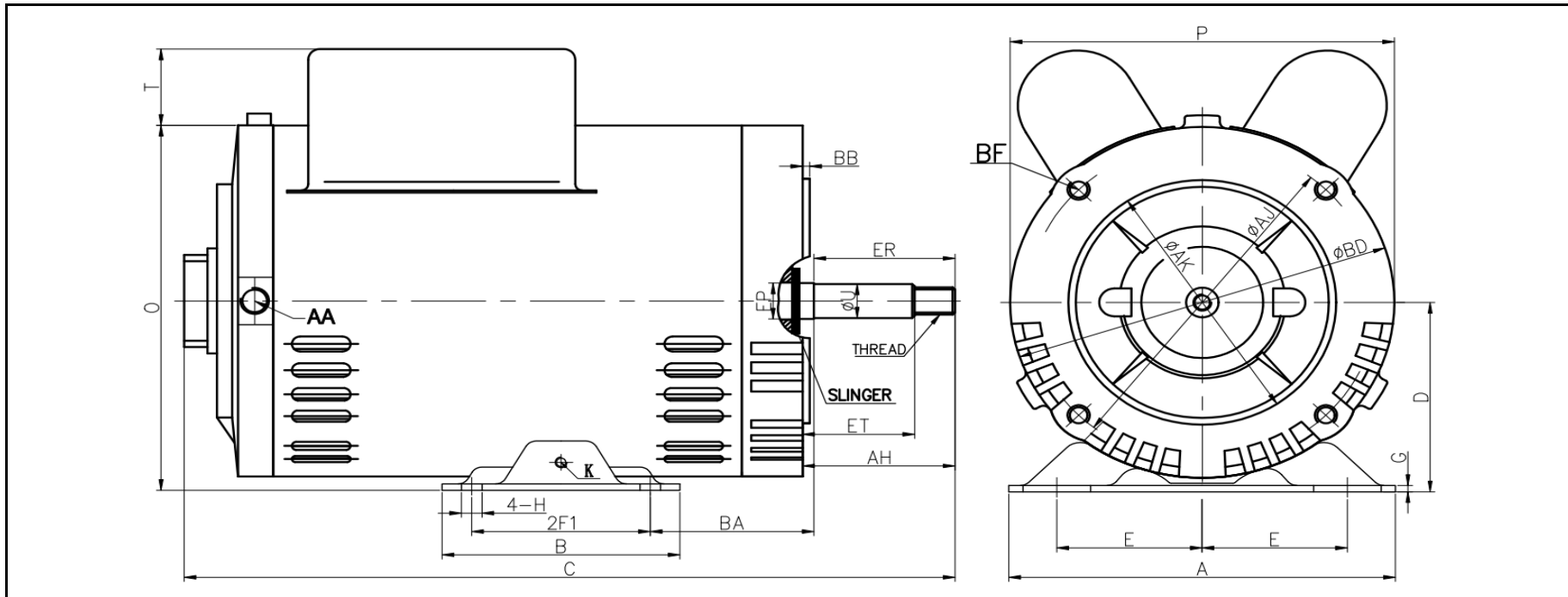
CAPACITOR INFORMATION	
Start Capacitor	1 - 250-300µf/300V
Run Capacitor	1 - 35µf/400V

ADDITIONAL DATA	
F2 Suitable	No
Shaft Material	S45C + SUS304
Connection Diagram	230 V - 2 Lead
Approximate Weight	46.8 lbs.

# ODP Jet Pump Motor Drawing

## 56JB

WorldWide Electric Corporation  
1 (800) 808-2131  
Worldwideelectric.net



### DIMENSIONS - INCHES

MOUNTING				A	B	C	D	G	P	O	T	Ground Lug K	AA
E	2F1	H	BA										
2.44	3	0.34	2.75	6.3	4	13.8	3.5	0.08	6.5	6.7	0.23	M5	1/2 NPT

SHAFT & KEY					
EP	ET	ER	AH	U	THREAD
0.66	1.88	2.37	2.56	0.625	7/16-20 2A UNF

FLANGE				
AK	BD	AJ	BF	BB
4.5	6.5	5.875	4*3/8-16 UNC	0.16

# NAMEPLATE / WIRING

Premium Efficiency Motor: **OJ3-36-56JB**

WorldWide Electric Corporation

1 (800) 808-2131

Worldwideelectric.net



Document Generated: 5-May-2022  
Document ID:

Customer:

## SAMPLE NAMEPLATE DATA

		<b>OPEN DRIP PROOF SINGLE PHASE JET PUMP MOTOR</b>					
Model :		Encl : ODP		SN :		CW ROTATION OPE	
HP :	Poles : 2	FR :	Ins : F	IP 23	Max Amb 40°C	Duty : Cont	<b>HIGH VOLTAGE</b> ② ① — L1 T8 — ④ — L2 T2 — T3 — ③
Hz :	60	CODE:		Design :		<b>LOW VOLTAGE</b> ② — T3 L1 — ① L2 — ④ — T8 T2 — ③	
Volts :		P.F. :		DE BRG :			
Amps :		Eff :		ODE BRG :			
RPM :		S.F. :		WT : LBS			
Usable on 208V 60Hz network at ___ Amps				S.F.A :		Date :	
<b>WorldWide Electric Corporation</b>							

<b>Model</b>	OJ3-36-56JB	<b>Frame</b>	56J	<b>Design</b>	L
<b>HP</b>	3	<b>Code</b>	H	<b>DE Brg</b>	6203-ZZ
<b>Hz</b>	60 Hz	<b>P.F.</b>	0.98	<b>ODE Brg</b>	6203-ZZ
<b>Voltage</b>	230	<b>Nom.Eff.</b>	84.1%	<b>WT</b>	46.8 lbs.
<b>Amps</b>	22.84A/11.42A	<b>S.F.</b>	1.15		
<b>RPM</b>	3515	<b>S.F.A</b>	13.41A		
<b>Usable on 208V 60Hz Network at</b>		12.7A			