

DATA SHEET

Premium Efficiency Motor: **OJ3-36-56JRD,**

60 Hz

WorldWide Electric Corporation

1 (800) 808-2131

Worldwideelectric.net



Document Generated: 5-May-2022
Document ID:

Customer:

MOTOR INFORMATION	
HP	3
RPM	3600
Phase	1
Frequency	60 Hz
Voltage	230
Frame Size	56J
Enclosure	ODP
Degree of Protection	IP23
Service Factor	1.15
Poles	2
Full Load Speed	3515
Insulation Class	F
Temp Rise	80°C
NEMA Code Letter	H
Duty Cycle	S1 / Continuous
Slip	2.31%
NEMA Design	L
Moment of Inertia	0.089 lb.ft.²
Locked Rotor Time (Hot)	12 seconds
Sound Pressure Level	78 dB(A)
Number of Starts	2
Max Ambient Temperature	40°C
Max Elevation	1000 m.a.s.l (3300 f.a.s.l)
Mounting	F1
Rotation	CW Facing ODE
Area of Classification	Safe
Inverter Rating	N/A
Standard	NEMA MG-1
Approvals	UL

EFFICIENCY/POWER FACTOR		
LOAD	EFF	P. F.
100%	84.1 %	0.98
75%	84.1 %	0.98
50%	79.9 %	0.96

TORQUE		
FULL LOAD	LRT	BDT
4.409 lb.ft.	334 %	674 %

AMPERAGE INFORMATION		
	115V	230V
Full Load Amps	22.84A	11.42A
Locked Rotor Amps	176.64A	88.32A
No Load Current	N/AA	2.194A
Usable at 208V	12.7A	

BEARING INFORMATION	
DE Bearing	6203-ZZ
ODE Bearing	6203-ZZ
Grease Type	NS7 ENS
DE Regreasing Interval	- Hours
ODE Regreasing Interval	- Hours
Grease Quantity	-

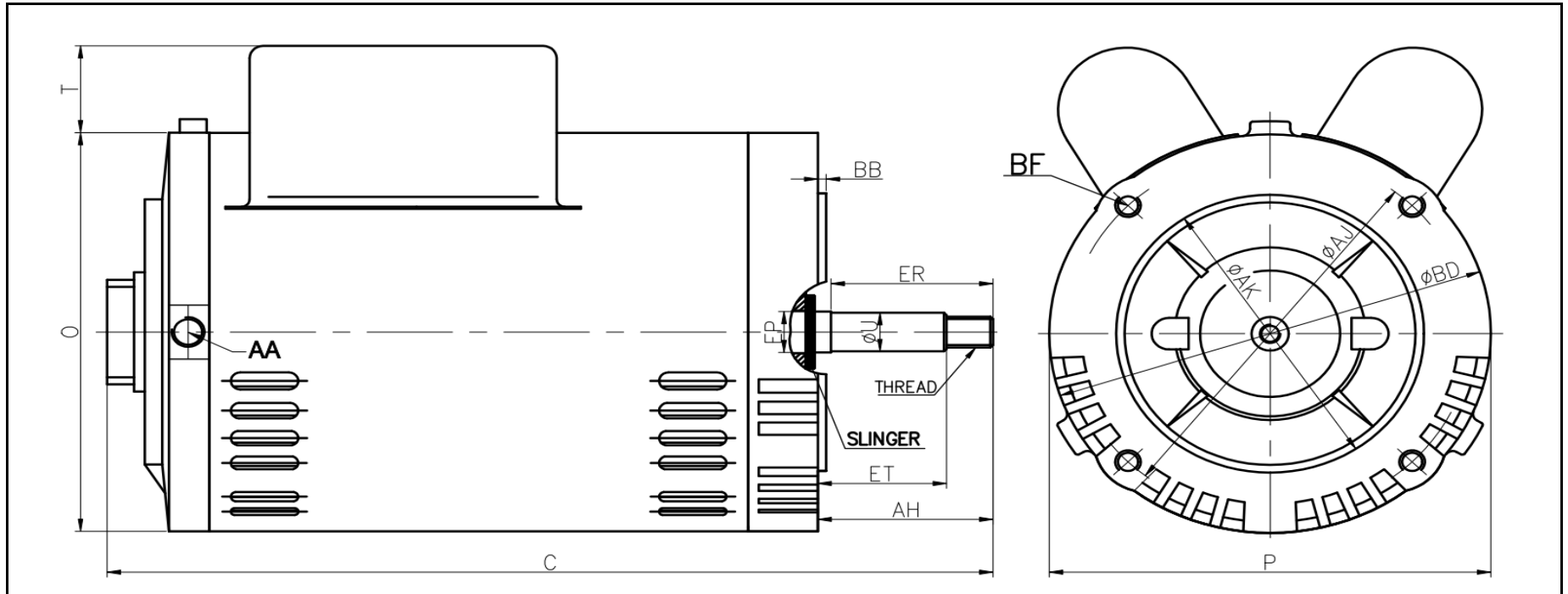
CAPACITOR INFORMATION	
Start Capacitor	1 - 250-300µf/300V
Run Capacitor	1 - 35µf/400V

ADDITIONAL DATA	
F2 Suitable	No
Shaft Material	S45C + SUS304
Connection Diagram	230 V - 2 Lead
Approximate Weight	44.6 lbs.

ODP Jet Pump Motor Drawing

56JRD

WorldWide Electric Corporation
 1 (800) 808-2131
 Worldwideelectric.net



DIMENSIONS - INCHES

C	P	O	T	AA
13.8	6.5	6.5	1.4	1/2 NPT

SHAFT & KEY					
EP	ET	ER	AH	U	THREAD
0.66	1.88	2.37	2.56	0.625	7/16-20 2A UNF

FLANGE				
AK	BD	AJ	BF	BB
4.5	6.5	5.875	4*3/8-16 UNC	0.12

REVISED - 5/4/2022

NAMEPLATE / WIRING

Premium Efficiency Motor: **OJ3-36-56JRD**

WorldWide Electric Corporation

1 (800) 808-2131

Worldwideelectric.net



Document Generated: 5-May-2022
Document ID:

Customer:

SAMPLE NAMEPLATE DATA

		OPEN DRIP PROOF SINGLE PHASE JET PUMP MOTOR						
Model :		Encl : ODP		SN :			CW ROTATION OPE	
HP :	Poles : 2	FR :	Ins : F	IP 23	Max Amb 40°C	Duty : Cont	HIGH VOLTAGE ② ① — L1 T8 — ④ — L2 T2 — T3 — ③	
Hz :	60	CODE:		Design :		LOW VOLTAGE ② — T3 L1 — ① L2 — ④ — T8 T2 — ③		
Volts :		P.F. :		DE BRG :				
Amps :		Eff :		ODE BRG :				
RPM :		S.F. :		WT : LBS				
Usable on 208V 60Hz network at ___ Amps				S.F.A :		Date :		
WorldWide Electric Corporation								

Model	OJ3-36-56JRD	Frame	56J	Design	L
HP	3	Code	H	DE Brg	6203-ZZ
Hz	60 Hz	P.F.	0.98	ODE Brg	6203-ZZ
Voltage	230	Nom.Eff.	84.1%	WT	44.6 lbs.
Amps	22.84A/11.42A	S.F.	1.15		
RPM	3515	S.F.A	13.41A		
Usable on 208V 60Hz Network at		12.7A			