

DATA SHEET

Premium Efficiency Motor: **OW10-12-256T**

60 Hz

WorldWide Electric Corporation

1 (800) 808-2131

Worldwideelectric.net



Document Generated: 8-Feb-2024
Document ID:

Customer:

MOTOR INFORMATION	
HP	10
RPM	1200
Phase	3
Frequency	60 Hz
Voltage	230/460/796
Frame Size	256T
Enclosure	TEFC
Degree of Protection	IP55
Service Factor	1.15
Poles	6
Full Load Speed	1139
Insulation Class	F
Temp Rise	80°C
NEMA Code Letter	H
Duty Cycle	S1 / Continuous
Slip	5.08%
NEMA Design	D
Moment of Inertia	2.2256 lb.ft.^2
Locked Rotor Time (Hot)	12 seconds
Sound Pressure Level	75 dB(A)
Number of Starts	2 Cold/1 Hot
Max Ambient Temperature	40°C
Max Elevation	1000 m.a.s.l (3300 f.a.s.l)
Mounting	F2
Rotation	Bi-Directional
Standard	NEMA MG-1
Approvals	UL, CE

EFFICIENCY/POWER FACTOR		
LOAD	EFF	P. F.
100%	86.5 %	0.78
75%	85.8 %	0.72
50%	85.6 %	0.61

TORQUE			
FULL LOAD	LRT	BDT	PUT
46.7 lb.ft.	355 %	205 %	292 %

AMPERAGE INFORMATION			
	230V	460V	796V
Full Load Amps	27.80	13.90	8.00
Locked Rotor Amps	172.80	86.40	49.88
No Load Current	13.80	6.90	3.98

BEARING INFORMATION	
DE Bearing	6309 C3
ODE Bearing	6307 C3
Grease Type	Mobil Polyrex EM
DE Regreasing Interval	2400 Hours
ODE Regreasing Interval	2400 Hours
Grease Quantity	13g/8g

ADDITIONAL DATA	
F2 Suitable	YES
Shaft Material	1045 Carbon Steel
Connection Diagram	230 / 460 V - 12 Lead Δ
Approximate Weight	286 lbs.
Area of Classification	Class 1 Division 2 Groups A,B,C,D T3B in accordance with NEC

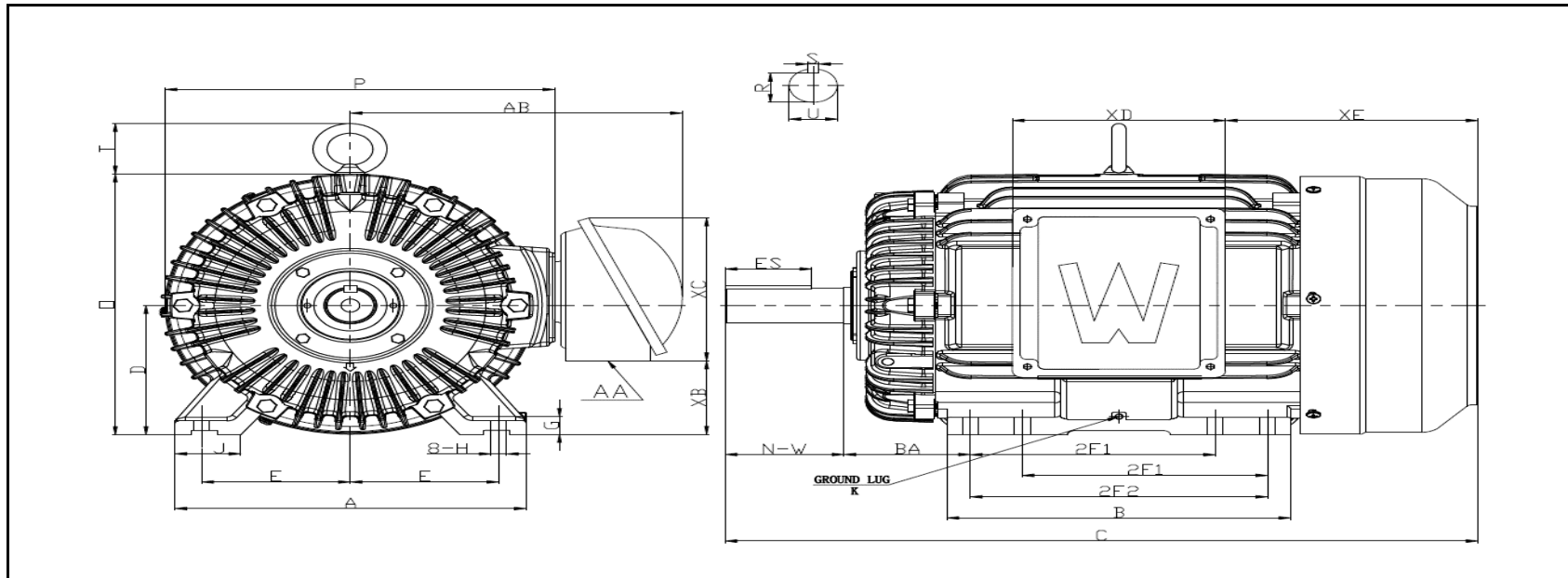
MOTOR DRAWING

Premium Efficiency Motor: **OW10-12-256T**

WorldWide Electric Corporation

1 (800) 808-2131

Worldwideelectric.net



DIMENSION - INCHES

MOUNTING					A	B	C	D	G	J	P	O	T	AB
E	2F1	2F2	H	BA										
5	8.25	10	0.53	4.25	11.8	11.57	25.39	6.25	0.669	2.038	13.46	12.68	2.03	10.57

SHAFT & KEY					
S	ES	R	N-W	AH	U
0.375	2.91	1.416	4	N/A	1.625

TERMINAL BOX				
AA	XB	XC	XD	XE
1-1/2	2.86	7.2	5.8	8.1

GROUND LUG
K
M8

PERFORMANCE CURVES

WorldWide Electric Corporation

1 (800) 808-2131

Worldwideelectric.net



Premium Efficiency Motor:

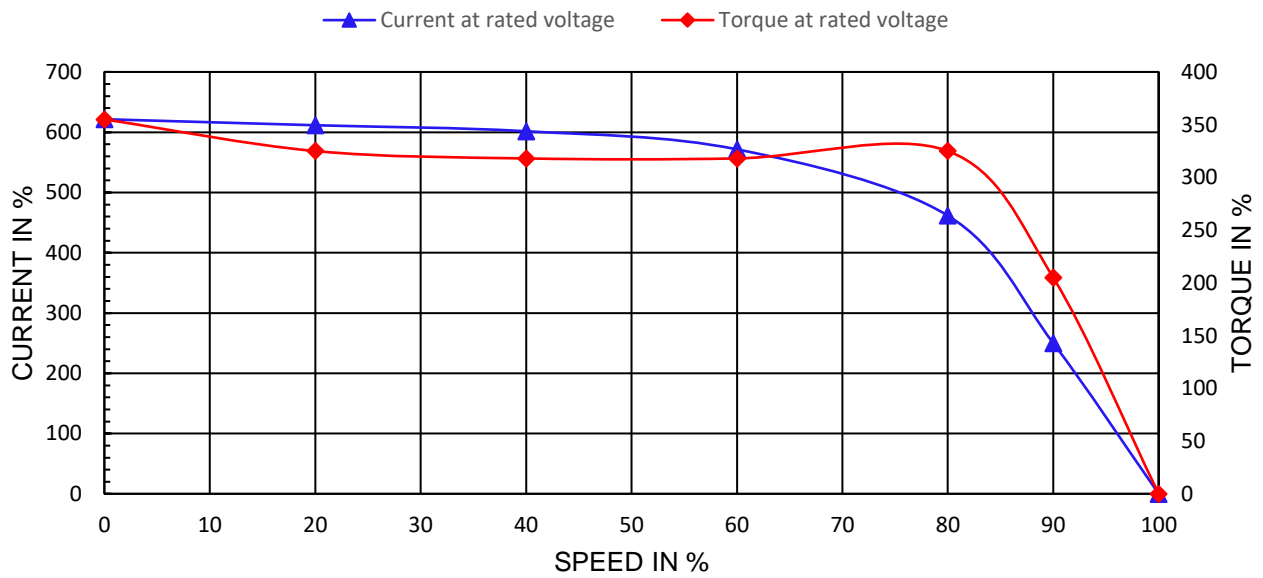
OW10-12-256T

Document Generated: 8-Feb-2024
Document ID:

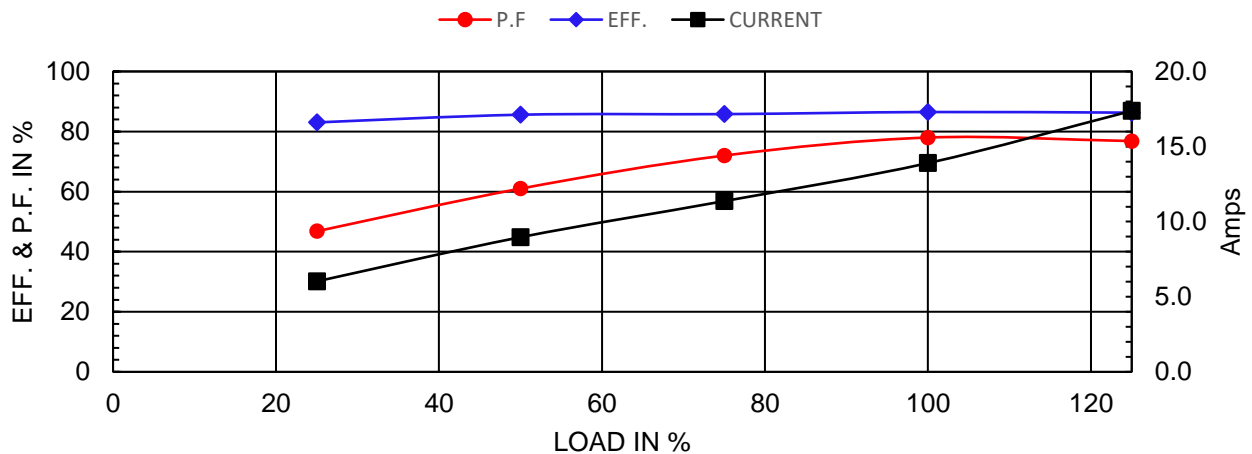
Customer:

Motor Type	PEWWE		FL Speed	1139		
Output Rating (HP)	10		LRT (%FLT)	355	460 volt FLA	13.90
Full Load Torque	46.7	lb.ft	BDT (%FLT)	205	230 volt FLA	27.80
Rotor Wk ²	2.2256	lb-ft ²				

SPEED VS TORQUE & CURRENT CURVE



OUTPUT VS EFF., P.F. & CURRENT CURVE



NAMEPLATE / WIRING

Premium Efficiency Motor: **OW10-12-256T**

WorldWide Electric Corporation

1 (800) 808-2131

Worldwideelectric.net



Document Generated: 8-Feb-2024	Customer:
Document ID:	

SAMPLE NAMEPLATE DATA

OIL WELL PUMPING 3 PHASE INDUSTRIAL ELECTRIC MOTOR						
Model :	SN :		Code :	 230 V	Made in China	
HP :	RPM :	IP 55	FR :			End : TEFC
Hz :	60	50	Ins : F			Eff :
Volts :	230/460/796	200/400/693	Design : D			P.F. :
Amps :			WT :			DE BRG :
SF :	1.15	1.0	Duty : Cont			ODE BRG :
Max Amb 40°C-CONT			LRT/FLT : %	Date :	 460 V	
				 796 V Y Connection For Starting Only		

Model	OW10-12-256T				
HP	10	RPM	1139	IP	IP55
Hz	60 Hz	Hz	50Hz	Frame	256T
Voltage	230/460/796	Volts	200/400/693	Encl	TEFC
230V FLA	27.80	200V FLA	32.40	Ins Cl	F
460V FLA	13.90	400V FLA	16.20	Design	D
796V FLA	8.00	693V FLA	16.20	Code	H
S.F.	1.15	S.F.	1.00	WT	286 lbs.
Max. Amb	40°C			Duty	S1 / Continuous
LRT/FLT	355%			Nom.Eff.	86.5%
				P.F.	0.78
				DE Brng	6309 C3
				ODE Brng	6307 C3