

# DATA SHEET

Premium Efficiency Motor: **OW15-9-286T**

**60 Hz**

WorldWide Electric Corporation

1 (800) 808-2131

Worldwideelectric.net



Document Generated: 8-Feb-2024  
Document ID:

Customer:

MOTOR INFORMATION	
HP	15
RPM	900
Phase	3
Frequency	60 Hz
Voltage	230/460/796
Frame Size	286T
Enclosure	TEFC
Degree of Protection	IP55
Service Factor	1.15
Poles	8
Full Load Speed	854
Insulation Class	F
Temp Rise	80°C
NEMA Code Letter	J
Duty Cycle	S1 / Continuous
Slip	5.17%
NEMA Design	D
Moment of Inertia	5.8139 lb.ft.^2
Locked Rotor Time (Hot)	12 seconds
Sound Pressure Level	80 dB(A)
Number of Starts	2 Cold/1 Hot
Max Ambient Temperature	40°C
Max Elevation	1000 m.a.s.l (3300 f.a.s.l)
Mounting	F2
Rotation	Bi-Directional
Standard	NEMA MG-1
Approvals	UL, CE

EFFICIENCY/POWER FACTOR		
LOAD	EFF	P. F.
100%	88.0 %	0.71
75%	88.1 %	0.65
50%	86.5 %	0.53

TORQUE			
FULL LOAD	LRT	BDT	PUT
91.9 lb.ft.	314 %	205 %	290 %

AMPERAGE INFORMATION			
	230V	460V	796V
Full Load Amps	44.20	22.10	12.80
Locked Rotor Amps	272.60	136.30	78.70
No Load Current	23.00	11.50	6.64

BEARING INFORMATION	
DE Bearing	6311 C3
ODE Bearing	6310 C3
Grease Type	Mobil Polyrex EM
DE Regreasing Interval	2400 Hours
ODE Regreasing Interval	2400 Hours
Grease Quantity	17g/15g

ADDITIONAL DATA	
F2 Suitable	YES
Shaft Material	1045 Carbon Steel
Connection Diagram	230 / 460 V - 12 Lead Δ
Approximate Weight	437 lbs.
Area of Classification	Class 1 Division 2 Groups A,B,C,D T3B in accordance with NEC

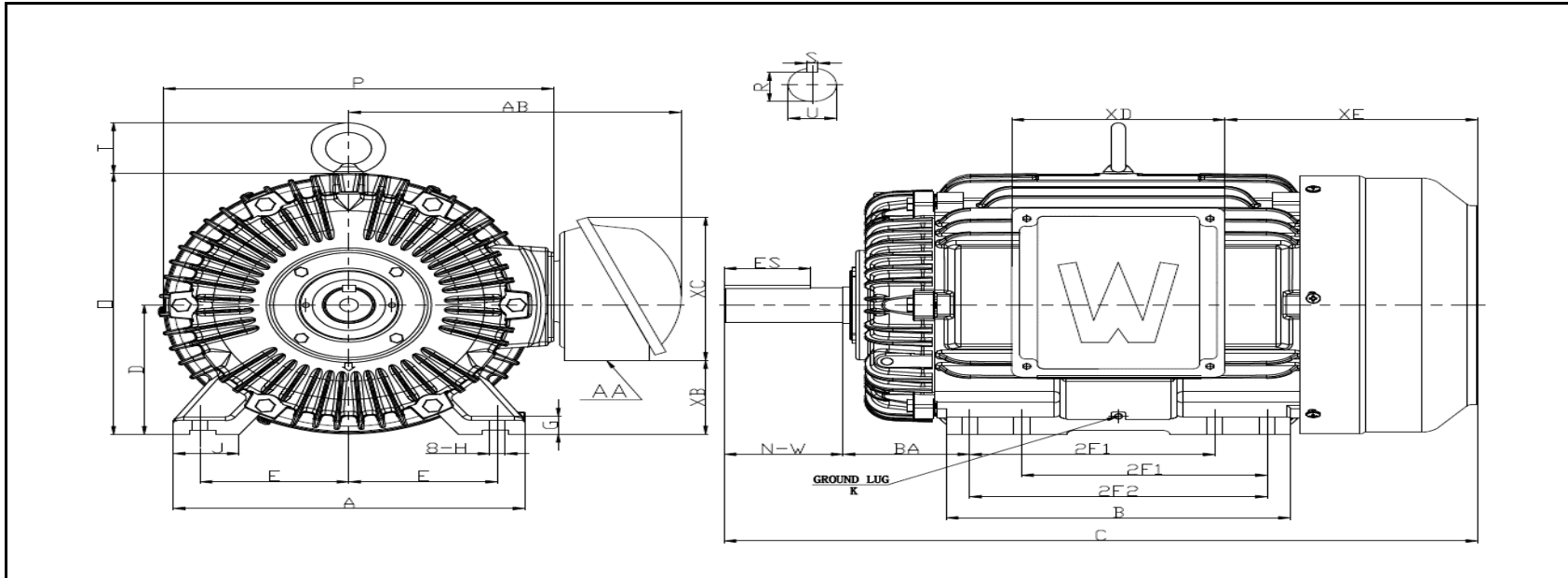
# MOTOR DRAWING

Premium Efficiency Motor: **OW15-9-286T**

WorldWide Electric Corporation

1 (800) 808-2131

Worldwideelectric.net



## DIMENSION - INCHES

MOUNTING					A	B	C	D	G	J	P	O	T	AB
E	2F1	2F2	H	BA										
5.5	9.5	11	0.53	4.75	13.97	13.18	29.1	7	0.7795	3.07	14.56	14.04	2.42	12.02

SHAFT & KEY					
S	ES	R	N-W	AH	U
0.5	3.28	1.59	4.62	N/A	1.875

TERMINAL BOX				
AA	XB	XC	XD	XE
1-1/2	2.75	8.17	6.85	10.3

GROUND LUG
K
M8

# PERFORMANCE CURVES

WorldWide Electric Corporation

1 (800) 808-2131

Worldwideelectric.net



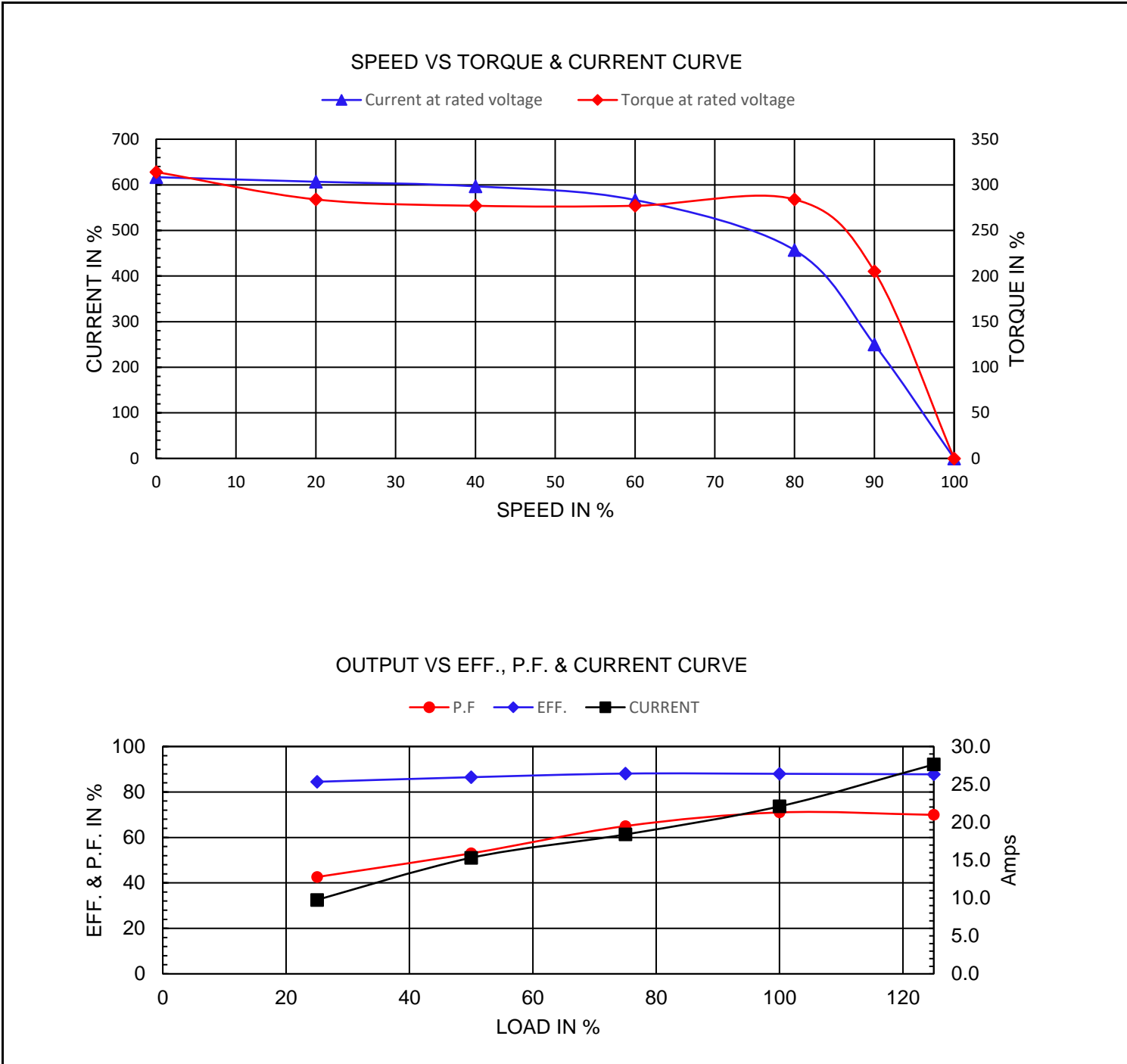
Premium Efficiency Motor:

**OW15-9-286T**

Document Generated: 8-Feb-2024  
 Document ID:

Customer:

Motor Type	PEWWE		FL Speed	853.5		
Output Rating (HP)	15		LRT (%FLT)	314	460 volt FLA	22.10
Full Load Torque	91.9	lb.ft	BDT (%FLT)	205	230 volt FLA	44.20
Rotor Wk^2	5.8139	lb-ft^2				



# NAMEPLATE / WIRING

Premium Efficiency Motor: **OW15-9-286T**

WorldWide Electric Corporation

1 (800) 808-2131

Worldwideelectric.net



Document Generated: 8-Feb-2024	Customer:
Document ID:	

## SAMPLE NAMEPLATE DATA

		<b>OIL WELL PUMPING 3 PHASE INDUSTRIAL ELECTRIC MOTOR</b>						Made in China	
		Model :	SN :	Code :					7 8 9 6 4 5 12 10 11 1 2 3
HP :	RPM :	IP 55	FR :	End : TEFC	230 V				
Hz :	60	50	Ins : F	Eff :	7 8 9 4 5 6 12 10 11 1 2 3	Made in China			
Volts :	230/460/796	200/400/693	Design : D	P.F. :	460 V				
Amps :			WT :	DE BRG :	796 V				
SF :	1.15	1.0	Duty : Cont	ODE BRG :	Y Connection For Starting Only				
Max Amb 40°C-CONT			LRT/FLT : %	Date :					

<b>Model</b>	OW15-9-286T	<b>RPM</b>	853.5	<b>IP</b>	IP55	<b>Frame</b>	286T
<b>HP</b>	15	<b>Hz</b>	50Hz	<b>Encl</b>	TEFC	<b>Ins Cl</b>	F
<b>Hz</b>	60 Hz	<b>Volts</b>	200/400/693	<b>Design</b>	D	<b>Code</b>	J
<b>Voltage</b>	230/460/796	<b>230V FLA</b>	44.20	<b>200V FLA</b>	53.00	<b>WT</b>	437 lbs.
<b>460V FLA</b>	22.10	<b>400V FLA</b>	26.50	<b>693V FLA</b>	26.50	<b>Duty</b>	S1 / Continuous
<b>796V FLA</b>	12.80	<b>S.F.</b>	1.15	<b>S.F.</b>	1.00	<b>Nom.Eff.</b>	88.0%
<b>S.F.</b>	1.15	<b>Max. Amb</b>	40°C	<b>P.F.</b>	0.71	<b>DE Brng</b>	6311 C3
<b>Max. Amb</b>	40°C	<b>LRT/FLT</b>	314%	<b>ODE Brng</b>	6310 C3		
<b>LRT/FLT</b>	314%						